

ROSTFREI Rostfrei
Inox Stainless Steel
Inch sizes available

- 4 Type**
- K** with plastic cover cap
 - E** with Stainless Steel cover cap

1 d ₁	2 d ₂ GN 666.5	2 d ₃ GN 666.7	3 l ₁ ±0,5	l ₂ ±0,3 Threaded bore for mounting stud of GN 666.7	d ₄	h	l ₃	l ₄	t min.	
30	M 6	M 8	M 8	200	200	20	60	265	15	15
30	M 6	M 8	M 8	250	250	20	60	315	15	15
30	M 6	M 8	M 8	300	300	20	60	365	15	15
30	M 6	M 8	M 8	400	400	20	60	465	15	15
30	M 6	M 8	M 8	500	500	20	60	565	15	15
30	M 6	M 8	M 8	600	600	20	60	665	15	15

Specification

- Tube Ø 30 x 1,5
Stainless Steel AISI 304
matt shiny finish, ground
- Handle shanks
Stainless Steel AISI 304
matt shiny finish, ground
- Mounting stud (GN 666.7)
with threaded pin DIN 913-M8
Stainless Steel AISI 304
- Grub screw DIN 914-M5
Stainless Steel AISI 304
- Cover caps
 - Type K
Plastic (Polyamide PA), black matt
 - Type E
Stainless Steel AISI 304
- RoHS compliant

On request

- Special lengths

Information

For a mounting of Stainless Steel-Tubular handles GN 666.5 / GN 666.7 (mounting from the back) the stud is first screwed in from the machine side with the threaded pin DIN 913-M8x25 (included) and then the handle is pushed on and secured with the grub screw DIN 914-M5.

Type E of Stainless Steel-Tubular handles GN 666.5 and GN 666.7 is completely made of A2-Stainless Steel.

see also...

- *Stainless Steel-Cabinet „U“ handles GN 426.5 → Page 95*

How to order (Mounting from the back)

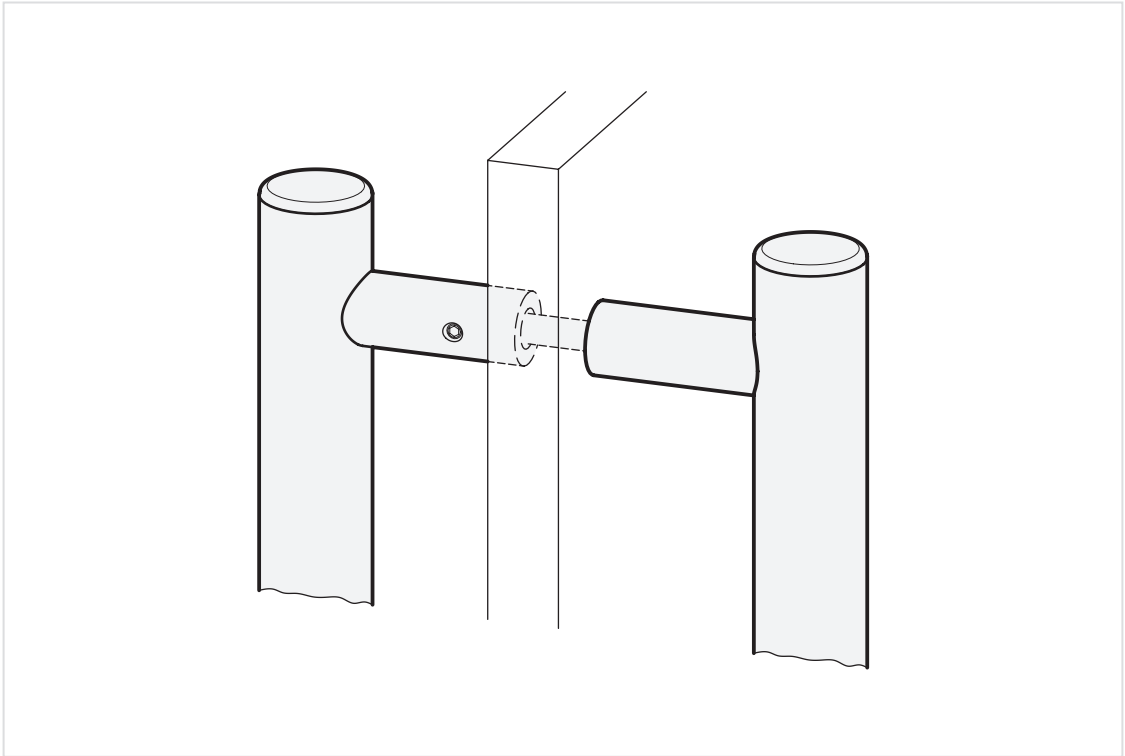
1 d ₁
2 d ₂
3 l ₁
4 Type

GN 666.5-30-M6-600-E

How to order (Mounting from operator's side)

1 d ₁
2 d ₃
3 l ₁
4 Type

GN 666.7-30-M8-400-K

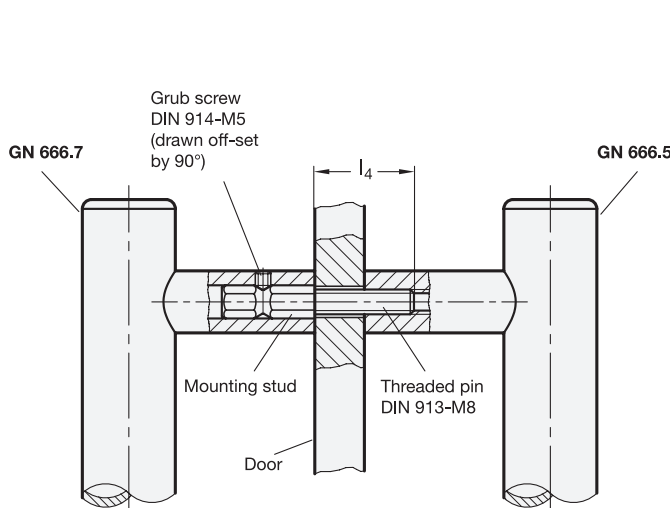


1.1

1.2

1.3

1.4



2.1

2.2

2.3

2.4

Example of application

Tubular handles GN 666.5 / GN 666.7 allow the mounting of a pair of handles in opposite position. This method could be used on doors (double handle).

Generally a modification of the thread length l_4 is required for this. The included threaded pin DIN 913-M8x25-A2 of the mounting stud needs to be replaced by a longer threaded pin, too.

Handles with a modified thread length l_4 are available on request.

