



1

l_1	b_1	b_2	b_3	h_1	h_2	l_2 Screw area	l_3	t
110	36	13	8	34	24	66	22	12
130	36	13	8	34	24	86	22	12
150	36	13	8	34	24	106	22	12
200	36	13	8	34	24	156	22	12
250	36	13	8	34	24	206	22	12
300	36	13	8	34	24	256	22	12
400	36	13	8	34	24	356	22	12
500	36	13	8	34	24	456	22	12

Specification

- Aluminium
 - plastic coated
 - black, RAL 9005, textured finish 
 - anodized, natural colour 
- End caps
 - Plastic
 - Technopolymer (Polyamide PA)
 - black-grey
- Lettering block (GN 430.1)
 - Insert groove supplied with:
 - paper strip 200 g/m², width 19,5 mm
 - bright white, age-resistant
 - PVC hard film
 - transparent
- Plastic characteristics → Page 1141
- RoHS compliant

On request

- Special lengths
- single paper strips / film strips

2

Information



Typical applications for ledge handles GN 430 / GN 430.1 include swivel or sliding doors on protective doors and equipment. They are also suitable for use as drawer handles.

The screw channel for screw sizes M6 (extruded aluminium) allows an optional number of fixing screws in any position within the dimension l_2 .

Special lengths are easily realised because the ledge handle needs no further machining when mounted.

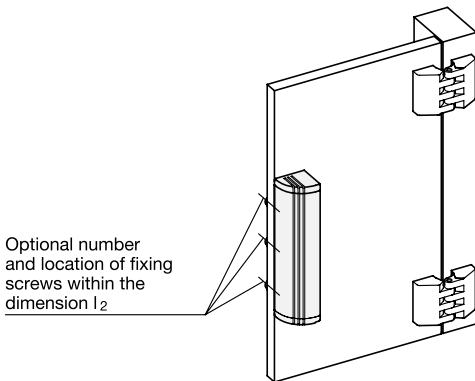
In the design with lettering block, the end cap when delivered is mounted on one side such that the paper / film strip supplied can be lettered and pushed into the groove provided.

Ledge handle	1	l_1
  GN 430-200-EL	2	Finish

Ledge handle with lettering block	1	l_1
  GN 430.1-500-SW	2	Finish



Example of application



Mounting information

- Minimum screw-in depth: 10 mm
- Max. load (screw) 400 N
- Max. tightening torque: 4 Nm

Lettering (GN 430.1)

The paper strip can also be used as substrate for common lettering tape in widths below 18 mm.

Go to www.ganter-griff.com/service to open a Word® document which you can use to create lettering and labels.