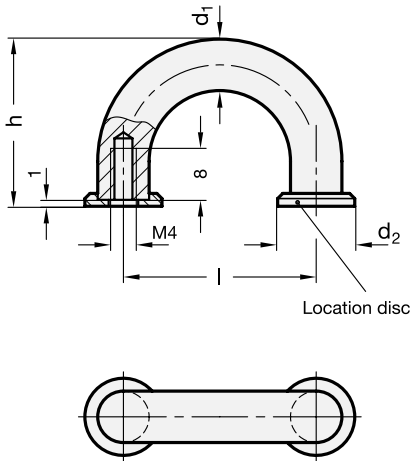




Rostfrei
Inox
Stainless
Steel



1

2

d_1	Length $l \pm 0,25$	d_2	h
8	30	12	26
10	40	15	31

Specification

3

• **GN 224.1**

Steel

chrome-plated



Location discs

Zinc die casting, nickel-plated

• **GN 224.5**

Stainless Steel AISI 304

matt shot-blasted

Location discs

Stainless Steel AISI 303

• *Stainless Steel characteristics* → Page 1144

• **RoHS compliant**

Finger handle

1 2 3

GN 224.1-8-30-CR

1	d_1
2	Length l
3	finish

Stainless Steel-Finger handle

1 2

GN 224.5-10-40

1	d_1
2	Length l