



- 1
- 2
- 3
- 4
- 5
- 6
- 7
- 8
- 9
- 10
- 11
- 12
- 13
- 14
- 15
- RH

MATERIAL

Glass-fibre reinforced polyamide based (PA) special conductive technopolymer, black colour, matte finish. $10^3 \Omega$ surface resistivity (ASTM D257 trial method), $10^3 \Omega \text{cm}$ volume resistivity (ASTM D257 trial method).

STANDARD EXECUTION

Pass-through holes for cylindrical-head screws with hexagon socket.

FEATURES AND APPLICATIONS

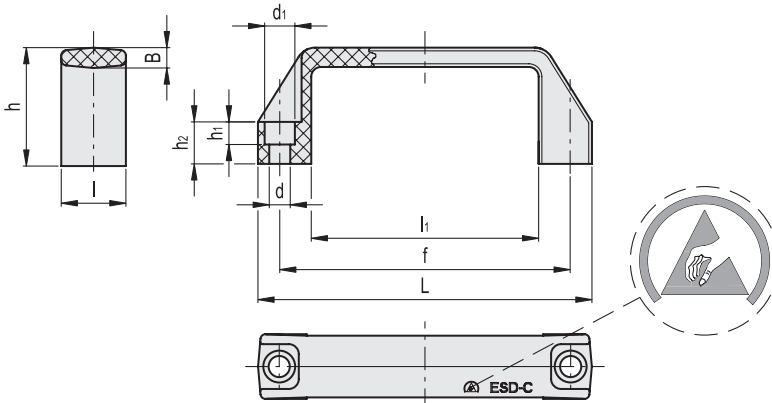
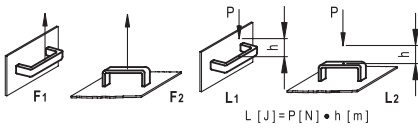
The special conductive technopolymer (ESD-C Electrostatic Discharge Conductive) prevents the accumulation of electrostatic charge. M.443-ESD handles are suitable for ESD PROTECTED AREA (EPA) where components which are susceptible to electrostatic discharges are to be handled with the minimum risk of damage. The indelibly printed mark (ESD-C) on the surface of the handle identifies the particular conductivity feature according to EN 100015/1 and IEC 61340-5-1.

TECHNICAL DATA

Tensile stress and impact strength: F1, F2, L1 and L2 values reported in the table are the result of breaking tests carried out with the appropriate dynamometric equipment under the test conditions shown in the figure with ambient temperature.



ELESA Original design



Code	Description	L	f	d	d1	h	h1	h2	B	l	l1	F1 [N]	F2 [N]	L1 [J]	L2 [J]	
154601	M.443/110-CH-ESD-C	109	93.5±0.5	6.5	10.5	38	7	13	6	21	74	3500	2500	15	8	21
154611	M.443/140-8-CH-ESD-C	137	117±1	8.5	13.5	41	8.5	15	7	26	93	4500	2500	20	13	34

Lift & Pull handles