

- 1
- 2
- 3
- 4
- 5
- 6
- 7
- 8
- 9
- 10
- 11
- 12
- 13
- 14
- 15
- RH

**MATERIAL**

Glass-fibre reinforced polyamide based (PA) technopolymer, grey-black colour, matte finish.

**MICROSWITCH WITH BUTTON**

The device is made up of a normally open contact (NO) and a normally closed contact (NC).

Switching takes place by pressing the button (monostable contact).

**LED**

A red light and a green light indicate the microswitch status. Tension feed 24Vdc.

**SCREW COVERS**

Technopolymer, grey-black colour, matte finish. Supplied assembled, removable by a screwdriver.

**STANDARD EXECUTIONS**

Pass-through holes for cylindrical-head screws with hexagon socket.

- **EBR-SW-B-C**: zinc-plated connector with 8 poles, back axial output.
- **EBR-SW-B-F2.5**: 8 pole cable, length 2.5 metres, back output.
- **EBR-SW-B-F5**: 8 pole cable, length 5 metres, back output.
- **EBR-SW-D-C**: zinc-plated steel connector with 8 poles, side axial output.
- **EBR-SW-D-F2.5**: 8 pole cable, length 2.5 metres, side output.
- **EBR-SW-D-F5**: 8 pole cable, length 5 metres, side output.

**FEATURES AND APPLICATIONS**

These handles are typically assembled on machine doors or protections. With the correct electrical connection and the machine working, the red light is turned on and the green light is off. By pressing the button, the operator, via external contact, requests access to the protected area: in this case the green light will turn on, while the red one will be off.

The EBR-SW handle is an ideal combination: ergonomic, functional and compact.

**TECHNICAL DATA**

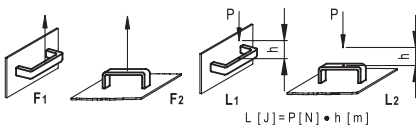
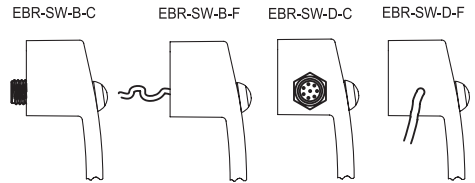
Tensile stress and impact strength: the values F1, F2, L1 and L2 indicated in the table were obtained during breaking tests carried out with the appropriate dynamometric equipment under the test conditions shown in the figure with ambient temperature.

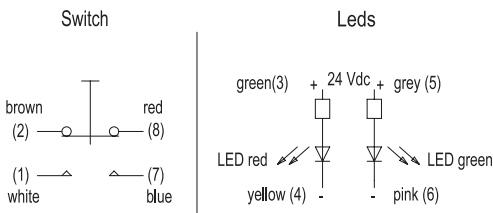
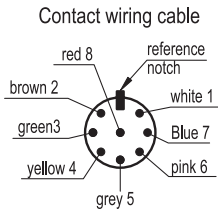
**ACCESSORIES ON REQUEST**

FC-M12x1 (see page 976): extensions with 8 pole M12 female axial connector.

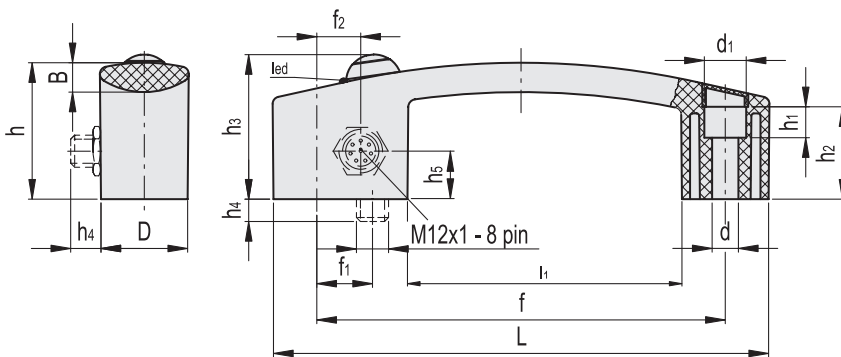


ERGOSTYLE® ELESA Original design





Technical features	
Protection class	IP65
Mechanical life-span	cycles $1 \times 10^6$
Led light voltage	24 Vdc $\pm 15\%$
Maximum commutable voltage	max 28 Vdc / 30 Vac / max 1 A



Code	Description	L	f	d	d1	f1	f2	D	h	h1	h2	h3	h4	h5	B	l1	F1 [N]	F2 [N]	L1 [J]	L2 [J]	⚖️
260541-C1	EBR.150-SW-B-C	160	132±0.5	8.5	13.5	16	-	28	44	10	30	47	10	-	8.5	89	2800	2900	35	8	85
260542-C1	EBR.150-SW-B-F5	160	132±0.5	8.5	13.5	16	-	28	44	10	30	47	-	-	8.5	89	2800	2900	35	8	95
260546-C1	EBR.150-SW-B-F2.5	160	132±0.5	8.5	13.5	16	-	28	44	10	30	47	-	-	8.5	89	2800	2900	35	8	90
260551-C1	EBR.150-SW-D-C	160	132±0.5	8.5	13.5	-	14.5	28	44	10	30	47	13.5	13	8.5	89	2800	2900	35	8	85
260552-C1	EBR.150-SW-D-F5	160	132±0.5	8.5	13.5	-	14.5	28	44	10	30	47	-	13	8.5	89	2800	2900	35	8	95
260556-C1	EBR.150-SW-D-F2.5	160	132±0.5	8.5	13.5	-	14.5	28	44	10	30	47	-	13	8.5	89	2800	2900	35	8	90