

METAL STRUCTURE

Steel round cross section bar with fine ground matte chrome-plated surface.
Threaded blind holes.

END BUSHES

Steel, chrome-plated matte surface.

HEAT INSULATION ELEMENT

Glass-fibre reinforced polyamide based (PA) technopolymer, black colour, matte finish.

FEATURES AND APPLICATIONS

The MMT. handle is particularly suitable for applications on surfaces subject to high temperatures. The internal aeration canals of the technopolymer heat insulation element minimize the heat transfer. Its particular shape offers a comfortable grip and puts the operator's fingers away from the heat source.

TECHNICAL DATA

Figure 1 shows the different temperatures reached in various points of the handle assembled to a plate stabilized at 200°C during laboratory tests.



ELESA Original design

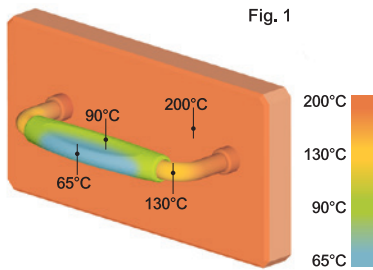
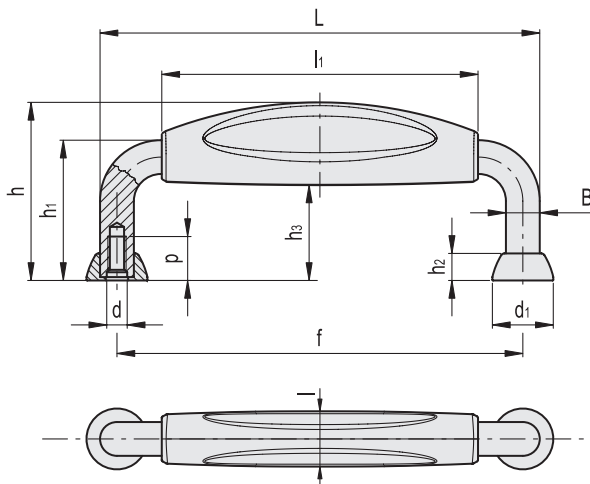


Fig. 1



Code	Description	L	f	d	d1	h	h1	h2	h3	B	l	l1	p	Δ△
41051	MMT.130 M5	130	120±0.5	M5	18	53	43	8	28	10	16	94	13	132
41061	MMT.190 M5	190	180±0.5	M5	18	56	43	8	29.5	10	16	140	13	195

- 1
- 2
- 3
- 4
- 5
- 6
- 7
- 8
- 9
- 10
- 11
- 12
- 13
- 14
- 15