

- 1
- 2
- 3
- 4
- 5
- 6
- 7
- 8
- 9
- 10
- 11
- 12
- 13
- 14
- 15
- RH
- 

**MATERIAL**

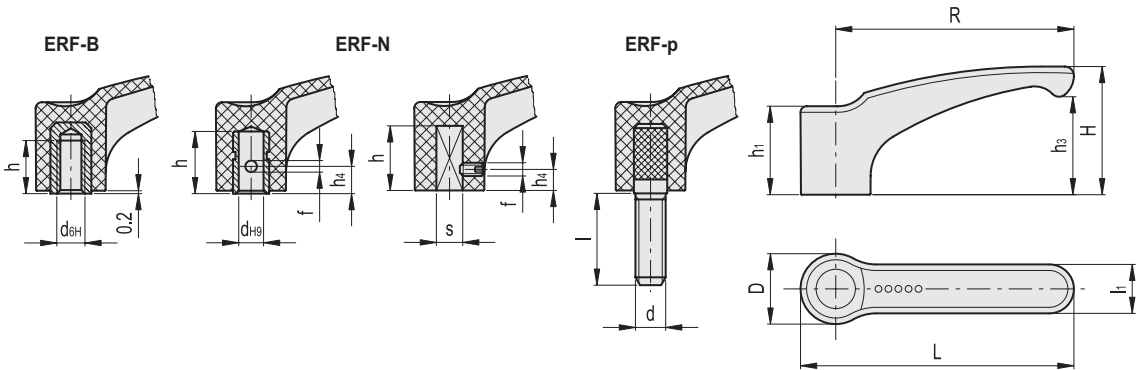
Glass-fibre reinforced polyamide based (PA) technopolymer, grey-black colour, matte finish.

**STANDARD EXECUTIONS**

- **ERF-B:** brass boss, threaded blind hole.
- **ERF-N:**
  - cylindrical blind hole, brass reinforcement and transversal semi-machined hole for pinning to shaft.
  - square blind hole, with transversal set screw UNI 5929-85 ( grub screws with hexagon socket and cup end).
- **ERF-p:** zinc-plated steel threaded stud, chamfered flat end UNI 947 : ISO 4753 (see Technical data on page A-11).



ERGOSTYLE® ELESAs Original design



**ERF-B**

Code	Description	R	d6H	L	D	H	h	h1	h3	l1	⚖
232103-C1	ERF.44 B-M5-C1	44	M5	52	15.5	26.5	10	19	19	11	10
232101-C1	ERF.44 B-M6-C1	44	M6	52	15.5	26.5	12	19	19	11	9
232121-C1	ERF.63 B-M8-C1	63	M8	73.5	19	35	13	24.5	26.5	13.5	19
232141-C1	ERF.78 B-M10-C1	78	M10	90.5	23	42	17	29.5	32	16	42
232161-C1	ERF.95 B-M12-C1	95	M12	109	26.5	51.5	20	34	40	18	48

**ERF-N**

Code	Description	R	dH9	sH10	L	D	H	h	h1	h3	h4	l1	f	⚖
232106-C1	ERF.44 N-5x5-C1	44	-	5	52	15.5	26.5	15	19	19	7	11	M4	5
232111-C1	ERF.44 N-6-C1	44	6	-	52	15.5	26.5	15	19	19	7	11	3	5
232126-C1	ERF.63 N-6x6-C1	63	-	6	73.5	19	35	20	24.5	26.5	8	13.5	M4	11
232131-C1	ERF.63 N-8-C1	63	8	-	73.5	19	35	20	24.5	26.5	8	13.5	4	11
232146-C1	ERF.78 N-8x8-C1	78	-	8	90.5	23	42	25	29.5	32	9	16	M5	31
232151-C1	ERF.78 N-10-C1	78	10	-	90.5	23	42	25	29.5	32	9	16	4	31
232166-C1	ERF.95 N-10x10-C1	95	-	10	109	26.5	51.5	30	34	40	10	18	M5	37
232171-C1	ERF.95 N-12-C1	95	12	-	109	26.5	51.5	30	34	40	10	18	5	37

**ERF-p**

Code	Description	R	d6g	L	D	H	h1	h3	l	l1	⚖
232116-C1	ERF.44 p-M6x16-C1	44	M6	52	15.5	26.5	19	19	16	11	13
232136-C1	ERF.63 p-M8x25-C1	63	M8	73.5	19	35	24.5	26.5	25	13.5	32
232140-C1	ERF.63 p-M8x45-C1	63	M8	73.5	19	35	24.5	26.5	45	13.5	42
232156-C1	ERF.78 p-M10x30-C1	78	M10	90.5	23	42	29.5	32	30	16	61
232176-C1	ERF.95 p-M12x50-C1	95	M12	109	26.5	51.5	34	40	50	18	85

Clamping levers