

LEVER BODY

Glass-fibre reinforced polyamide based (PA) technopolymer, black colour, matte finish.

PUSH BUTTON

Technopolymer, black colour, matte finish.

STANDARD EXECUTIONS

Glass-fibre reinforced technopolymer clamping element with retaining pin, black colour, with knurling on the protruding part to make initial tightening easier. AISI 302 stainless steel return spring.

- **MRX-B:** brass boss, threaded blind hole.
- **MRX-SST:** AISI 303 stainless steel boss, threaded blind hole.
- **MRX-p:** zinc-plated steel threaded stud, chamfered flat end UNI 947 : ISO 4753 (see Technical data on page A-11).
- **MRX-SST-p:** AISI 303 stainless steel threaded stud, chamfered flat end UNI 947 : ISO 4753 (see Technical data on page A-11).

FEATURES AND APPLICATIONS

Particularly suitable when the lever turning angle is limited owing to lack of space.

Compared to other types of adjustable handles with metal retaining screw this solution offers:

- absolute electric insulation for the operator
- more comfortable lever release.

STRESS RESISTANCE

See ERX, page 218.

OTHER EXECUTIONS AVAILABLE

Lever body in orange (C2) with black push button (C1).
Example: code 141131-C2-C1 description MRX.40-C2-B-M5-C1.

SPECIAL EXECUTIONS ON REQUEST

Lever body in RAL 7031 grey.

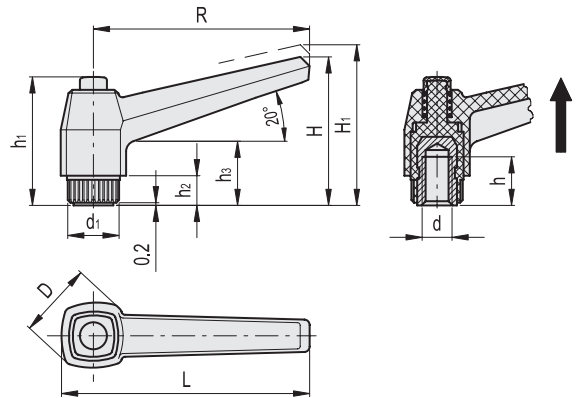
INSTRUCTIONS OF USE

For clamping, lift the lever to disengage the clamping device teeth and bring it back to start position. By releasing the lever, the return spring automatically engages the teeth.



ELESA Original design

MRX-B
MRX-SST



MRX-B

Code	Description	R	d6H	L	D	H	H1	h	h1	h2	h3	d1	Teeth no.	⚖️
141131	MRX.40 B-M5	42	M5	50	18	32	35.5	10	29	6	14	12	18	10
141141	MRX.40 B-M6	42	M6	50	18	32	35.5	10	29	6	14	12	18	12
141411	MRX.63 B-M6	63	M6	73	23	43	46.5	16	37	8	17	15	20	21
141421	MRX.63 B-M8	63	M8	73	23	43	46.5	13	37	8	17	15	20	22
141422	MRX.63 B-M10	63	M10	73	23	43	46.5	13	37	8	17	15	20	20
142111	MRX.80 B-M8	80	M8	92	28	54	58.5	20	47	10	22	19	24	41
142121	MRX.80 B-M10	80	M10	92	28	54	58.5	18	47	10	22	19	24	42
142131	MRX.80 B-M12	80	M12	92	28	54	58.5	17	47	10	22	19	24	45
142501	MRX.100 B-M10	100	M10	114	33	65	69.5	20	54	12	25	25	28	70
142511	MRX.100 B-M12	100	M12	114	33	65	69.5	20	54	12	25	25	28	74
142521	MRX.100 B-M14	100	M14	114	33	65	69.5	20	54	12	25	25	28	84
142531	MRX.100 B-M16	100	M16	114	33	65	69.5	22	54	12	25	25	28	81

MRX-SST

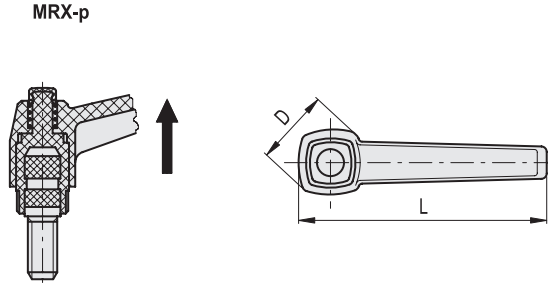
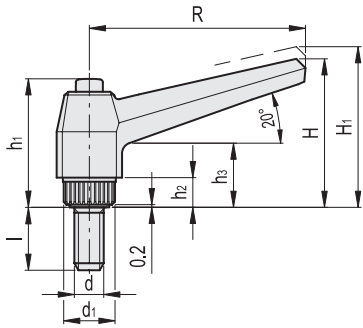
INOX STAINLESS STEEL

Code	Description	R	d6H	L	D	H	H1	h	h1	h2	h3	d1	Teeth no.	⚖️
141185	MRX.40-SST-M5	42	M5	50	18	32	35.5	6	29	6	14	12	18	14
141191	MRX.40-SST-M6	42	M6	50	18	32	35.5	10	29	6	14	12	18	12
141423	MRX.63-SST-M6	63	M6	73	23	43	46.5	12	37	8	17	15	20	24
141425	MRX.63-SST-M8	63	M8	73	23	43	46.5	13	37	8	17	15	20	22
142155	MRX.80-SST-M8	80	M8	92	28	54	58.5	13	47	10	22	19	24	44
142161	MRX.80-SST-M10	80	M10	92	28	54	58.5	17	47	10	22	19	24	42
142561	MRX.100-SST-M12	100	M12	114	33	65	69.5	20	54	12	25	25	28	75



RH

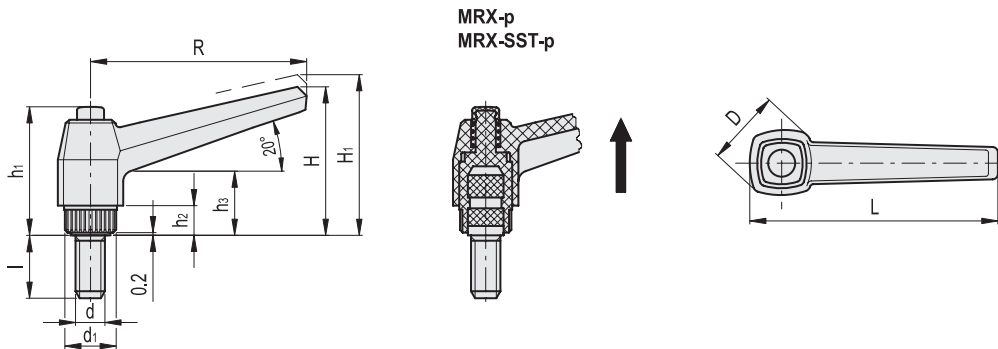
Clamping levers



MRX-p

Code	Description	R	d _{6g}	L	D	H	H ₁	h ₁	h ₂	h ₃	d ₁	l	Teeth no.	△
141201	MRX.40 p-M5x10	42	M5	50	18	32	35.5	29	6	14	12	10	18	10
141211	MRX.40 p-M5x16	42	M5	50	18	32	35.5	29	6	14	12	16	18	11
141221	MRX.40 p-M5x20	42	M5	50	18	32	35.5	29	6	14	12	20	18	12
141301	MRX.40 p-M6x10	42	M6	50	18	32	35.5	29	6	14	12	10	18	12
141311	MRX.40 p-M6x16	42	M6	50	18	32	35.5	29	6	14	12	16	18	13
141321	MRX.40 p-M6x20	42	M6	50	18	32	35.5	29	6	14	12	20	18	14
141331	MRX.40 p-M6x25	42	M6	50	18	32	35.5	29	6	14	12	25	18	15
141335	MRX.40 p-M6x30	42	M6	50	18	32	35.5	29	6	14	12	30	18	16
141341	MRX.40 p-M6x40	42	M6	50	18	32	35.5	29	6	14	12	40	18	18
141361	MRX.40 p-M8x16	42	M8	50	18	32	35.5	29	6	14	12	16	18	15
141362	MRX.40 p-M8x20	42	M8	50	18	32	35.5	29	6	14	12	20	18	16
141363	MRX.40 p-M8x25	42	M8	50	18	32	35.5	29	6	14	12	25	18	18
141431	MRX.63 p-M6x10	63	M6	73	23	43	46.5	37	8	17	15	10	20	25
141441	MRX.63 p-M6x16	63	M6	73	23	43	46.5	37	8	17	15	16	20	26
141451	MRX.63 p-M6x20	63	M6	73	23	43	46.5	37	8	17	15	20	20	27
141461	MRX.63 p-M6x25	63	M6	73	23	43	46.5	37	8	17	15	25	20	28
141466	MRX.63 p-M6x30	63	M6	73	23	43	46.5	37	8	17	15	30	20	29
141470	MRX.63 p-M6x35	63	M6	73	23	43	46.5	37	8	17	15	35	20	30
141471	MRX.63 p-M6x40	63	M6	73	23	43	46.5	37	8	17	15	40	20	31
141501	MRX.63 p-M8x16	63	M8	73	23	43	46.5	37	8	17	15	16	20	28
141511	MRX.63 p-M8x20	63	M8	73	23	43	46.5	37	8	17	15	20	20	29
141521	MRX.63 p-M8x25	63	M8	73	23	43	46.5	37	8	17	15	25	20	31
141531	MRX.63 p-M8x30	63	M8	73	23	43	46.5	37	8	17	15	30	20	32
141535	MRX.63 p-M8x35	63	M8	73	23	43	46.5	37	8	17	15	35	20	35
141541	MRX.63 p-M8x40	63	M8	73	23	43	46.5	37	8	17	15	40	20	36
141551	MRX.63 p-M8x45	63	M8	73	23	43	46.5	37	8	17	15	45	20	37
141561	MRX.63 p-M8x50	63	M8	73	23	43	46.5	37	8	17	15	50	20	38
141569	MRX.63 p-M8x60	63	M8	73	23	43	46.5	37	8	17	15	60	20	40
141581	MRX.63 p-M10x20	63	M10	73	23	43	46.5	37	8	17	15	20	20	33
141583	MRX.63 p-M10x30	63	M10	73	23	43	46.5	37	8	17	15	30	20	36
141585	MRX.63 p-M10x40	63	M10	73	23	43	46.5	37	8	17	15	40	20	40
141587	MRX.63 p-M10x50	63	M10	73	23	43	46.5	37	8	17	15	50	20	42
141589	MRX.63 p-M10x60	63	M10	73	23	43	46.5	37	8	17	15	60	20	46
142181	MRX.80 p-M8x20	80	M8	92	28	54	58.5	47	10	22	19	20	24	52
142183	MRX.80 p-M8x25	80	M8	92	28	54	58.5	47	10	22	19	25	24	54
142185	MRX.80 p-M8x30	80	M8	92	28	54	58.5	47	10	22	19	30	24	56
142187	MRX.80 p-M8x40	80	M8	92	28	54	58.5	47	10	22	19	40	24	60
142189	MRX.80 p-M8x45	80	M8	92	28	54	58.5	47	10	22	19	45	24	62
142191	MRX.80 p-M8x50	80	M8	92	28	54	58.5	47	10	22	19	50	24	64
142193	MRX.80 p-M8x55	80	M8	92	28	54	58.5	47	10	22	19	55	24	66
142195	MRX.80 p-M8x60	80	M8	92	28	54	58.5	47	10	22	19	60	24	68
142197	MRX.80 p-M8x70	80	M8	92	28	54	58.5	47	10	22	19	70	24	70
142201	MRX.80 p-M10x20	80	M10	92	28	54	58.5	47	10	22	19	20	24	54
142211	MRX.80 p-M10x25	80	M10	92	28	54	58.5	47	10	22	19	25	24	57
142221	MRX.80 p-M10x30	80	M10	92	28	54	58.5	47	10	22	19	30	24	60
142225	MRX.80 p-M10x35	80	M10	92	28	54	58.5	47	10	22	19	35	24	62
142231	MRX.80 p-M10x40	80	M10	92	28	54	58.5	47	10	22	19	40	24	62
142241	MRX.80 p-M10x50	80	M10	92	28	54	58.5	47	10	22	19	50	24	68
142245	MRX.80 p-M10x60	80	M10	92	28	54	58.5	47	10	22	19	60	24	73
142251	MRX.80 p-M10x70	80	M10	92	28	54	58.5	47	10	22	19	70	24	79

Clamping levers



MRX-p

Code	Description	R	d6g	L	D	H	H1	h1	h2	h3	d1	l	Teeth no.	⚖
142301	MRX.80 p-M12x20	80	M12	92	28	54	58.5	47	10	22	19	20	24	62
142311	MRX.80 p-M12x25	80	M12	92	28	54	58.5	47	10	22	19	25	24	67
142321	MRX.80 p-M12x30	80	M12	92	28	54	58.5	47	10	22	19	30	24	68
142325	MRX.80 p-M12x35	80	M12	92	28	54	58.5	47	10	22	19	35	24	82
142331	MRX.80 p-M12x40	80	M12	92	28	54	58.5	47	10	22	19	40	24	75
142335	MRX.80 p-M12x45	80	M12	92	28	54	58.5	47	10	22	19	45	24	80
142341	MRX.80 p-M12x50	80	M12	92	28	54	58.5	47	10	22	19	50	24	83
142351	MRX.80 p-M12x60	80	M12	92	28	54	58.5	47	10	22	19	60	24	92
142361	MRX.80 p-M12x70	80	M12	92	28	54	58.5	47	10	22	19	70	24	98
142365	MRX.80 p-M12x80	80	M12	92	28	54	58.5	47	10	22	19	80	24	105
142601	MRX.100 p-M12x30	100	M12	114	33	65	69.5	54	12	25	25	30	28	96
142651	MRX.100 p-M12x50	100	M12	114	33	65	69.5	54	12	25	25	50	28	112
142701	MRX.100 p-M12x70	100	M12	114	33	65	69.5	54	12	25	25	70	28	127
142801	MRX.100 p-M14x30	100	M14	114	33	65	69.5	54	12	25	25	30	28	112
142831	MRX.100 p-M14x50	100	M14	114	33	65	69.5	54	12	25	25	50	28	132
142851	MRX.100 p-M14x70	100	M14	114	33	65	69.5	54	12	25	25	70	28	152
142901	MRX.100 p-M16x30	100	M16	114	33	65	69.5	54	12	25	25	30	28	138
142951	MRX.100 p-M16x50	100	M16	114	33	65	69.5	54	12	25	25	50	28	163
142981	MRX.100 p-M16x70	100	M16	114	33	65	69.5	54	12	25	25	70	28	190

MRX-SST-p

INOX STAINLESS STEEL

Code	Description	R	d6g	L	D	H	H1	h1	h2	h3	d1	l	Teeth no.	⚖
141371	MRX.40-SST-p-M6x16	42	M6	50	18	32	35.5	29	6	14	12	16	18	13
141372	MRX.40-SST-p-M6x20	42	M6	50	18	32	35.5	29	6	14	12	20	18	14
141373	MRX.40-SST-p-M6x25	42	M6	50	18	32	35.5	29	6	14	12	25	18	15
141374	MRX.40-SST-p-M6x30	42	M6	50	18	32	35.5	29	6	14	12	30	18	16
141700	MRX.63-SST-p-M8x16	63	M8	73	23	43	46.5	37	8	17	15	16	20	28
141701	MRX.63-SST-p-M8x20	63	M8	73	23	43	46.5	37	8	17	15	20	20	29
141702	MRX.63-SST-p-M8x25	63	M8	73	23	43	46.5	37	8	17	15	25	20	31
141711	MRX.63-SST-p-M8x30	63	M8	73	23	43	46.5	37	8	17	15	30	20	32
141713	MRX.63-SST-p-M8x40	63	M8	73	23	43	46.5	37	8	17	15	40	20	36
141715	MRX.63-SST-p-M8x50	63	M8	73	23	43	46.5	37	8	17	15	50	20	38
142367	MRX.80-SST-p-M8x20	80	M8	92	28	54	58.5	47	10	22	19	20	24	53
142369	MRX.80-SST-p-M8x25	80	M8	92	28	54	58.5	47	10	22	19	25	24	55
142371	MRX.80-SST-p-M8x30	80	M8	92	28	54	58.5	47	10	22	19	30	24	57
142373	MRX.80-SST-p-M8x40	80	M8	92	28	54	58.5	47	10	22	19	40	24	61
142375	MRX.80-SST-p-M8x45	80	M8	92	28	54	58.5	47	10	22	19	45	24	63
142377	MRX.80-SST-p-M8x50	80	M8	92	28	54	58.5	47	10	22	19	50	24	66
142380	MRX.80-SST-p-M8x70	80	M8	92	28	54	58.5	47	10	22	19	70	24	67
142381	MRX.80-SST-p-M10x20	80	M10	92	28	54	58.5	47	10	22	19	20	24	54
142385	MRX.80-SST-p-M10x30	80	M10	92	28	54	58.5	47	10	22	19	30	24	60
142387	MRX.80-SST-p-M10x40	80	M10	92	28	54	58.5	47	10	22	19	40	24	62
142391	MRX.80-SST-p-M12x30	80	M12	92	28	54	58.5	47	10	22	19	30	24	68
142393	MRX.80-SST-p-M12x40	80	M12	92	28	54	58.5	47	10	22	19	40	24	75
142395	MRX.80-SST-p-M12x50	80	M12	92	28	54	58.5	47	10	22	19	50	24	83
143001	MRX.100-SST-p-M12x30	100	M12	114	33	65	69.5	54	12	25	25	30	28	97
143003	MRX.100-SST-p-M12x40	100	M12	114	33	65	69.5	54	12	25	25	40	28	105
143005	MRX.100-SST-p-M12x50	100	M12	114	33	65	69.5	54	12	25	25	50	28	113
143009	MRX.100-SST-p-M12x70	100	M12	114	33	65	69.5	54	12	25	25	70	28	128

