



MATERIAL

Glass-fibre reinforced polyamide based (PA) technopolymer, grey-black colour, matte finish.

CAP

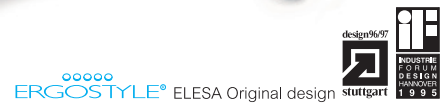
Glass-fibre reinforced polyamide based (PA) technopolymer, in Ergostyle colours, matte finish, press-fit assembly. Available also as accessory sold separately (see table ECA.).

| Code | Description | Cap for |
|---------|-------------|---------|
| 29752-* | ECA.W2-* | EWN.48 |
| 29753-* | ECA.W3-* | EWN.55 |
| 29755-* | ECA.W5-* | EWN.63 |
| 29754-* | ECA.W4-* | EWN.70 |

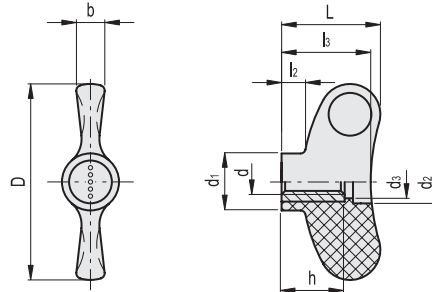
* Complete with colour index (C1, ..., C6).

STANDARD EXECUTIONS

- **EWN-FP**: brass boss, threaded pass-through hole, without cap.
- **EWN-SST-FP**: AISI 303 stainless steel boss, threaded pass-through hole without cap.
- **EWN-B**: brass boss, threaded pass-through hole, with cap.
- **EWN-SST**: AISI 303 stainless steel boss, threaded-pass hole, with cap.
- **EWN-p**: zinc-plated steel threaded stud with chamfered flat end as in UNI 947 : ISO 4753 (see Technical data on page A-11), with cap.
- **EWN-SST-p**: AISI 303 stainless steel threaded stud, chamfered flat end according to UNI 947 : ISO 4753 (see Technical data on page A-11), with cap.



EWN-FP
EWN-SST-FP



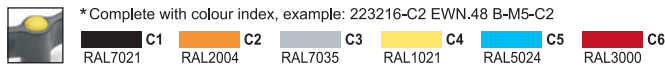
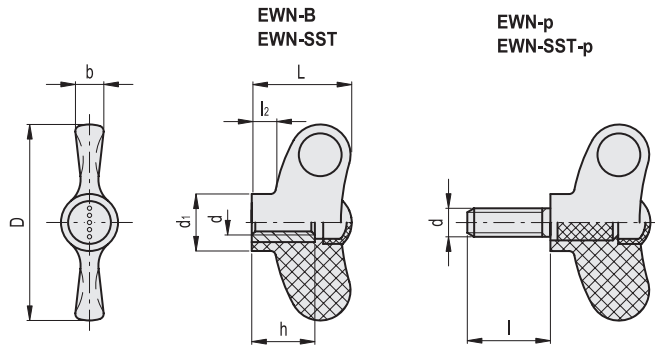
EWN-FP

| Code | Description | D | d6H | L | d1 | d2 | d3 | l2 | l3 | b | h | C# [Nm] | ⚖️ |
|-----------|------------------|----|-----|----|------|----|------|-----|------|----|----|---------|----|
| 223122-C0 | EWN.48 FP-M5-C0 | 47 | M5 | 24 | 13.5 | 10 | 8.5 | 5.5 | 21.5 | 7 | 12 | 9 | 10 |
| 223123-C0 | EWN.48 FP-M6-C0 | 47 | M6 | 24 | 13.5 | 10 | 8.5 | 5.5 | 21.5 | 7 | 12 | 10 | 9 |
| 223124-C0 | EWN.48 FP-M8-C0 | 47 | M8 | 24 | 13.5 | 10 | 8.5 | 5.5 | 21.5 | 7 | 12 | 11 | 8 |
| 223132-C0 | EWN.55 FP-M6-C0 | 55 | M6 | 28 | 16 | 12 | 10.5 | 6.5 | 25 | 8 | 18 | 20 | 19 |
| 223133-C0 | EWN.55 FP-M8-C0 | 55 | M8 | 28 | 16 | 12 | 10.5 | 6.5 | 25 | 8 | 18 | 25 | 18 |
| 223144-C0 | EWN.63 FP-M8-C0 | 63 | M8 | 32 | 19 | 14 | 10.5 | 7.5 | 29 | 9 | 20 | 45 | 27 |
| 223145-C0 | EWN.63 FP-M10-C0 | 63 | M10 | 32 | 19 | 14 | 10.5 | 7.5 | 29 | 9 | 20 | 55 | 26 |
| 223152-C0 | EWN.70 FP-M8-C0 | 70 | M8 | 36 | 20 | 15 | 13 | 8 | 32 | 10 | 20 | 45 | 32 |
| 223153-C0 | EWN.70 FP-M10-C0 | 70 | M10 | 36 | 20 | 15 | 13 | 8 | 32 | 10 | 20 | 55 | 31 |

EWN-SST-FP

| Code | Description | D | d6H | L | d1 | d2 | d3 | l2 | l3 | b | h | C# [Nm] | ⚖️ |
|-----------|----------------------|----|-----|----|------|----|------|-----|------|----|----|---------|----|
| 224122-C0 | EWN.48 SST-FP-M6-C0 | 47 | M6 | 24 | 13.5 | 10 | 8.5 | 5.5 | 21.5 | 7 | 12 | 10 | 9 |
| 224123-C0 | EWN.48 SST-FP-M8-C0 | 47 | M8 | 24 | 13.5 | 10 | 8.5 | 5.5 | 21.5 | 7 | 12 | 10 | 8 |
| 224133-C0 | EWN.55 SST-FP-M8-C0 | 55 | M8 | 28 | 16 | 12 | 10.5 | 6.5 | 25 | 8 | 18 | 20 | 18 |
| 224143-C0 | EWN.63 SST-FP-M10-C0 | 63 | M10 | 32 | 19 | 14 | 10.5 | 7.5 | 29 | 9 | 20 | 45 | 26 |
| 224153-C0 | EWN.70 SST-FP-M10-C0 | 70 | M10 | 26 | 20 | 15 | 13 | 8 | 32 | 10 | 20 | 45 | 31 |

"Max limit Tightening torque" means the max torque value at which the metal insert, in normal conditions of use, is perfectly and strongly anchored to the plastic material.



* Complete with colour index, example: 223216-C2 EWN.48 B-M5-C2

EWN-B

| Code | Description | D | d6H | L | d1 | l2 | b | h | C# [Nm] | ⚖️ |
|----------|----------------|----|-----|----|------|-----|----|----|---------|----|
| 223216-* | EWN.48 B-M5-* | 47 | M5 | 24 | 13.5 | 5.5 | 7 | 12 | 10 | 11 |
| 223221-* | EWN.48 B-M6-* | 47 | M6 | 24 | 13.5 | 5.5 | 7 | 12 | 11 | 10 |
| 223226-* | EWN.48 B-M8-* | 47 | M8 | 24 | 13.5 | 5.5 | 7 | 12 | 13 | 9 |
| 223236-* | EWN.55 B-M6-* | 55 | M6 | 28 | 16 | 6.5 | 8 | 18 | 20 | 20 |
| 223241-* | EWN.55 B-M8-* | 55 | M8 | 28 | 16 | 6.5 | 8 | 18 | 26 | 19 |
| 223251-* | EWN.63 B-M8-* | 63 | M8 | 32 | 19 | 7.5 | 9 | 20 | 45 | 29 |
| 223256-* | EWN.63-B M10-* | 63 | M10 | 32 | 19 | 7.5 | 9 | 20 | 58 | 28 |
| 223406-* | EWN.70 B-M8-* | 70 | M8 | 36 | 20 | 8 | 10 | 20 | 45 | 34 |
| 223411-* | EWN.70 B-M10-* | 70 | M10 | 36 | 20 | 8 | 10 | 20 | 58 | 33 |

EWN-p

| Code | Description | D | d6g | L | d1 | l | l2 | b | C# [Nm] | ⚖️ |
|----------|-------------------|----|-----|----|------|----|-----|----|---------|----|
| 223511-* | EWN.48 p-M5x16-* | 47 | M5 | 24 | 13.5 | 16 | 5.5 | 7 | 9 | 11 |
| 223516-* | EWN.48 p-M5x20-* | 47 | M5 | 24 | 13.5 | 20 | 5.5 | 7 | 9 | 12 |
| 223531-* | EWN.48 p-M6x16-* | 47 | M6 | 24 | 13.5 | 16 | 5.5 | 7 | 12 | 13 |
| 223536-* | EWN.48 p-M6x20-* | 47 | M6 | 24 | 13.5 | 20 | 5.5 | 7 | 12 | 13 |
| 223541-* | EWN.48 p-M6x25-* | 47 | M6 | 24 | 13.5 | 25 | 5.5 | 7 | 12 | 13 |
| 223546-* | EWN.48 p-M6x30-* | 47 | M6 | 24 | 13.5 | 30 | 5.5 | 7 | 12 | 15 |
| 223556-* | EWN.48 p-M6x40-* | 47 | M6 | 24 | 13.5 | 40 | 5.5 | 7 | 12 | 17 |
| 223565-* | EWN.48 p-M8x16-* | 47 | M8 | 24 | 13.5 | 16 | 5.5 | 7 | 12 | 13 |
| 223571-* | EWN.48-p M8x20-* | 47 | M8 | 24 | 13.5 | 20 | 5.5 | 7 | 12 | 19 |
| 223572-* | EWN.48 p-M8x25-* | 47 | M8 | 24 | 13.5 | 25 | 5.5 | 7 | 12 | 13 |
| 223573-* | EWN.48-p M8x30-* | 47 | M8 | 24 | 13.5 | 30 | 5.5 | 7 | 12 | 21 |
| 223576-* | EWN.48-p M8x40-* | 47 | M8 | 24 | 13.5 | 40 | 5.5 | 7 | 12 | 24 |
| 223626-* | EWN.55 p-M8x20-* | 55 | M8 | 28 | 16 | 20 | 6.5 | 8 | 22 | 23 |
| 223636-* | EWN.55 p-M8x30-* | 55 | M8 | 28 | 16 | 30 | 6.5 | 8 | 22 | 26 |
| 223646-* | EWN.55 p-M8x40-* | 55 | M8 | 28 | 16 | 40 | 6.5 | 8 | 22 | 29 |
| 223666-* | EWN.55 p-M10x20-* | 55 | M10 | 28 | 16 | 20 | 6.5 | 8 | 25 | 28 |
| 223676-* | EWN.55 p-M10x30-* | 55 | M10 | 28 | 16 | 30 | 6.5 | 8 | 25 | 34 |
| 223686-* | EWN.55 p-M10x40-* | 55 | M10 | 28 | 16 | 40 | 6.5 | 8 | 25 | 40 |
| 223726-* | EWN.63 p-M8x20-* | 63 | M8 | 32 | 19 | 20 | 7.5 | 9 | 32 | 30 |
| 223736-* | EWN.63 p-M8x30-* | 63 | M8 | 32 | 19 | 30 | 7.5 | 9 | 32 | 33 |
| 223746-* | EWN.63 p-M8x40-* | 63 | M8 | 32 | 19 | 40 | 7.5 | 9 | 32 | 35 |
| 223756-* | EWN.63 p-M10x20-* | 63 | M10 | 32 | 19 | 20 | 7.5 | 9 | 48 | 36 |
| 223766-* | EWN.63 p-M10x30-* | 63 | M10 | 32 | 19 | 30 | 7.5 | 9 | 48 | 42 |
| 223776-* | EWN.63 p-M10x40-* | 63 | M10 | 32 | 19 | 40 | 7.5 | 9 | 48 | 48 |
| 223806-* | EWN.70 p-M8x20-* | 70 | M8 | 36 | 20 | 20 | 8 | 10 | 32 | 35 |
| 223816-* | EWN.70 p-M8x30-* | 70 | M8 | 36 | 20 | 30 | 8 | 10 | 32 | 38 |
| 223826-* | EWN.70 p-M8x40-* | 70 | M8 | 36 | 20 | 40 | 8 | 10 | 32 | 40 |
| 223856-* | EWN.70 p-M10x20-* | 70 | M10 | 36 | 20 | 20 | 8 | 10 | 48 | 41 |
| 223866-* | EWN.70 p-M10x30-* | 70 | M10 | 36 | 20 | 30 | 8 | 10 | 48 | 47 |
| 223876-* | EWN.70 p-M10x40-* | 70 | M10 | 36 | 20 | 40 | 8 | 10 | 48 | 53 |

EWN-SST

| Code | Description | D | d6H | L | d1 | l2 | b | h | C# [Nm] | ⚖️ |
|----------|------------------|----|-----|----|------|-----|----|----|---------|----|
| 224216-* | EWN.48 SST-M6-* | 47 | M6 | 24 | 13.5 | 5.5 | 7 | 12 | 10 | 10 |
| 224221-* | EWN.48 SST-M8-* | 47 | M8 | 24 | 13.5 | 5.5 | 7 | 12 | 10 | 9 |
| 224241-* | EWN.55 SST-M8-* | 55 | M8 | 28 | 16 | 6.5 | 8 | 18 | 15 | 19 |
| 224256-* | EWN.63-SST M10-* | 63 | M10 | 32 | 19 | 7.5 | 9 | 20 | 35 | 28 |
| 224411-* | EWN.70 SST-M10-* | 70 | M10 | 36 | 20 | 8 | 10 | 20 | 35 | 33 |

EWN-SST-p

| Code | Description | D | d6g | L | d1 | l | l2 | b | C# [Nm] | ⚖️ |
|----------|-----------------------|----|-----|----|------|----|-----|----|---------|----|
| 224536-* | EWN.48 SST-p-M6x20-* | 47 | M6 | 24 | 13.5 | 20 | 5.5 | 7 | 11 | 13 |
| 224546-* | EWN.48 SST-p-M6x30-* | 47 | M6 | 24 | 13.5 | 30 | 5.5 | 7 | 11 | 15 |
| 224549-* | EWN.48 SST-p-M8x20-* | 47 | M8 | 24 | 13.5 | 20 | 5.5 | 7 | 11 | 20 |
| 224551-* | EWN.48 SST-p-M8x30-* | 47 | M8 | 24 | 13.5 | 30 | 5.5 | 7 | 11 | 22 |
| 224553-* | EWN.48 SST-p-M8x40-* | 47 | M8 | 24 | 13.5 | 40 | 5.5 | 7 | 11 | 25 |
| 224626-* | EWN.55 SST-p-M8x20-* | 55 | M8 | 28 | 16 | 20 | 6.5 | 8 | 16 | 23 |
| 224636-* | EWN.55 SST-p-M8x30-* | 55 | M8 | 28 | 16 | 30 | 6.5 | 8 | 16 | 26 |
| 224638-* | EWN.55 SST-p-M8x40-* | 55 | M8 | 28 | 16 | 40 | 6.5 | 8 | 16 | 30 |
| 224756-* | EWN.63-SST-p M10x20-* | 63 | M10 | 32 | 19 | 20 | 7.5 | 9 | 45 | 36 |
| 224766-* | EWN.63-SST-p M10x30-* | 63 | M10 | 32 | 19 | 30 | 7.5 | 9 | 45 | 42 |
| 224856-* | EWN.70 SST-p-M10x20-* | 70 | M10 | 36 | 20 | 20 | 8 | 10 | 45 | 41 |
| 224866-* | EWN.70 SST-p-M10x30-* | 70 | M10 | 36 | 20 | 30 | 8 | 10 | 45 | 47 |
| 224876-* | EWN.70 SST-p-M10x40-* | 70 | M10 | 36 | 20 | 40 | 8 | 10 | 45 | 54 |

"Max limit Tightening torque" means the max torque value at which the metal insert, in normal conditions of use, is perfectly and strongly anchored to the plastic material.



Clamping knobs