

- 1
- 2
- 3
- 4
- 5
- 6
- 7
- 8
- 9
- 10
- 11
- 12
- 13
- 14
- 15

MATERIAL

Glass-fibre reinforced polyamide based (PA) technopolymer, grey-black colour, matte finish.

CAP

Glass-fibre reinforced polyamide based (PA) technopolymer, in Ergostyle colours, matte finish, press-fit assembly. Available also as accessory sold separately (see table ECA.).

Code	Description	Cap for
29752-*	ECA.W2-*	EWN.48
29753-*	ECA.W3-*	EWN.55
29754-*	ECA.W4-*	EWN.70

* Complete with colour index (C1, ..., C6).

STANDARD EXECUTIONS

- **EWN-SST-p-PO:** AISI 303 stainless steel threaded stud, chamfered end with acetal resin (POM) pad.
- **EWN-SST-p-PB:** AISI 303 stainless steel threaded stud, chamfered end with brass pad.

FEATURES AND APPLICATIONS

The chamfered end with pad allows to damage the surface of contact even in case of strong clamping.

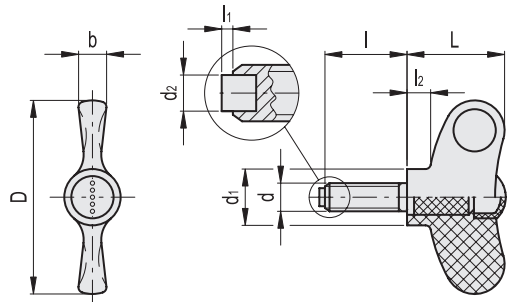
Standard executions either with brass or acetal resin pad.

ERGONOMY AND DESIGN

The slightly concave marks on the wings help to position the fingers in order to apply the maximum force when tightening.



ERGOSTYLE® ELESA Original design



* Complete with colour index, example: 224556-C2 EWN.48-SST-p-M6x20-PO-C2

C1 RAL7021 **C2** RAL2004 **C3** RAL7035 **C4** RAL1021 **C5** RAL5024 **C6** RAL3000



EWN-SST-p-PO

Code	Description	D	d _g	L	d ₁	d ₂	l	l ₁	l ₂	b	⚖
224556-*	EWN.48-SST-p-M6x20-PO-*	47	M6	24	13.5	4	20	1.5	5.5	7	13
224566-*	EWN.48-SST-p-M6x30-PO-*	47	M6	24	13.5	4	30	1.5	5.5	7	15
224646-*	EWN.55-SST-p-M8x20-PO-*	55	M8	28	16	5	20	1.8	6.5	8	23
224656-*	EWN.55-SST-p-M8x30-PO-*	55	M8	28	16	5	30	1.8	6.5	8	26
224676-*	EWN.70-SST-p-M10x20-PO-*	70	M10	36	20	6	20	2	8	10	41
224686-*	EWN.70-SST-p-M10x30-PO-*	70	M10	36	20	6	30	2	8	10	47

EWN-SST-p-PB



Code	Description	D	d _g	L	d ₁	d ₂	l	l ₁	l ₂	b	⚖
224576-*	EWN.48-SST-p-M6x20-PB-*	47	M6	24	13.5	4	20	1.5	5.5	7	14
224586-*	EWN.48-SST-p-M6x30-PB-*	47	M6	24	13.5	4	30	1.5	5.5	7	16
224661-*	EWN.55-SST-p-M8x20-PB-*	55	M8	28	16	5	20	1.8	6.5	8	24
224666-*	EWN.55-SST-p-M8x30-PB-*	55	M8	28	16	5	30	1.8	6.5	8	27
224691-*	EWN.70-SST-p-M10x20-PB-*	70	M10	36	20	6	20	2	8	10	42
224696-*	EWN.70-SST-p-M10x30-PB-*	70	M10	36	20	6	30	2	8	10	48