



**MATERIAL**

Phenolic based (PF) Duroplast, black colour, glossy finish.

**REVOLVING HANDLE**

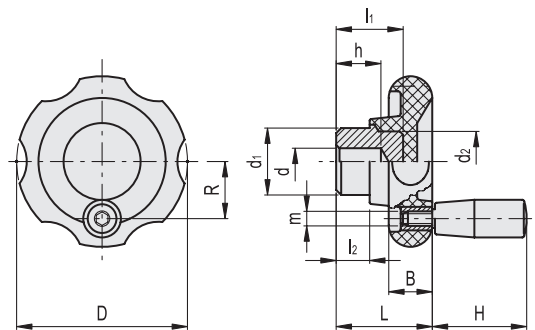
l.281+x (see page 403) in Duroplast.

**STANDARD EXECUTION**

Black-oxide steel hub, with pre-drilled blind hole.



ELESA Original design



Code	Description	D	dH9	d-0.1	L	B	l1	l2	d1	d2	h	m	R	Δ
74431	VL.140/80+I	82	-	6	40	19	23	12	24	20	15	40	M6	26 180
74521	VL.140/100+I	99	8	-	44	20	31	14	36	30	22	50	M8	32 385
74621	VL.140/130+I	129	8	-	47	22	30	13	40	40	20	65	M8	43 585