



MATERIAL

- **VL.640 FP:** glass-fibre reinforced polyamide based (PA) technopolymer, black colour, glossy finish.
- **VL.140 FP:** phenolic based (PF) Duroplast, black colour, glossy finish.

STANDARD EXECUTIONS

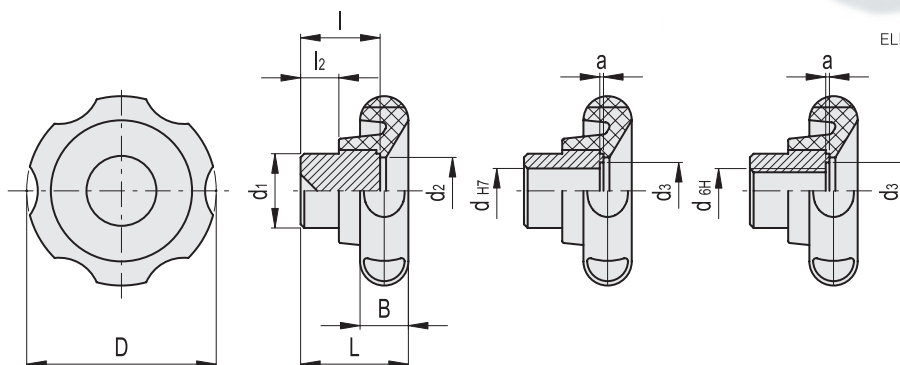
- **VL.640 FP-A:** black-oxide steel hub available in different executions: not drilled, H7 reamed pass-through hole or 6H threaded pass-through hole.
- **VL.640 FP-B:** brass hub, not drilled.
- **VL.140 FP:** black-oxide steel hub available in different executions: not drilled, H7 reamed pass-through hole or 6H threaded pass-through hole.

SPECIAL EXECUTIONS ON REQUEST

Different RAL colours with zinc-plated steel hub.



ELESA Original design



VL.640 FP

Code	Description	D	d6H	dH7	L	B	d1	d2	d3	l	l2	a	△
174111	VL.640/50 FP-A	50	-	-	29	13	20	18	-	21	10	-	72
174121	VL.640/50 FP-A-8	50	-	8	29	13	20	18	-	21	10	-	65
174131	VL.640/50 FP-A-10	50	-	10	29	13	20	18	-	21	10	-	60
174141	VL.640/50 FP-A-M8	50	M8	-	29	13	20	18	-	21	10	-	68
174151	VL.640/50 FP-A-M10	50	M10	-	29	13	20	18	-	21	10	-	61
174161	VL.640/50 FP-B	50	-	-	29	13	20	18	-	21	10	-	72
174211	VL.640/60 FP-A	61	-	-	30	16	25	24	-	23	11	-	126
174221	VL.640/60 FP-A-10	61	-	10	30	16	25	24	15.2	23	11	0.8	114
174231	VL.640/60 FP-A-12	61	-	12	30	16	25	24	18.1	23	11	0.8	110
174241	VL.640/60 FP-A-M10	61	M10	-	30	16	25	24	18.1	23	11	0.8	117
174251	VL.640/60 FP-A-M12	61	M12	-	30	16	25	24	18.1	23	11	0.8	111
174261	VL.640/60 FP-B	61	-	-	30	16	25	24	-	23	11	-	126
174311	VL.640/70 FP-A	70	-	-	33	18	30	30	-	25	12	-	190
174321	VL.640/70 FP-A-12	70	-	12	33	18	30	30	18.1	25	12	0.8	170
174331	VL.640/70 FP-A-14	70	-	14	33	18	30	30	21.4	25	12	1.5	160
174341	VL.640/70 FP-A-M12	70	M12	-	33	18	30	30	18.1	25	12	0.8	175
174361	VL.640/70 FP-B	70	-	-	33	18	30	30	-	25	12	-	190
174411	VL.640/80 FP-A	80	-	-	40	19	35	34	-	30	15	-	300
174421	VL.640/80 FP-A-14	80	-	14	40	19	35	34	18.1	30	15	0.8	270
174431	VL.640/80 FP-A-16	80	-	16	40	19	35	34	21.4	30	15	1.5	255
174441	VL.640/80 FP-A-M14	80	M14	-	40	19	35	34	18.1	30	15	0.8	274
174451	VL.640/80 FP-A-M16	80	M16	-	40	19	35	34	18.1	30	15	0.8	260
174461	VL.640/80 FP-B	80	-	-	40	19	35	34	-	30	15	-	300

VL.140 FP

Code	Description	D	d6H	dH7	L	B	d1	d2	d3	l	l2	R	△
74511	VL.140/100 FP-A	99	-	-	44	20	36	34	-	34	14	-	405
74514	VL.140/100 FP-A-16	99	-	16	44	20	36	34	21.4	34	14	1.5	350
74517	VL.140/100 FP-A-M16	99	M16	-	44	20	36	34	21.4	34	14	1.5	360
74611	VL.140/130 FP-A	129	-	-	47	22	40	36	-	34	13	-	560