

MATERIAL

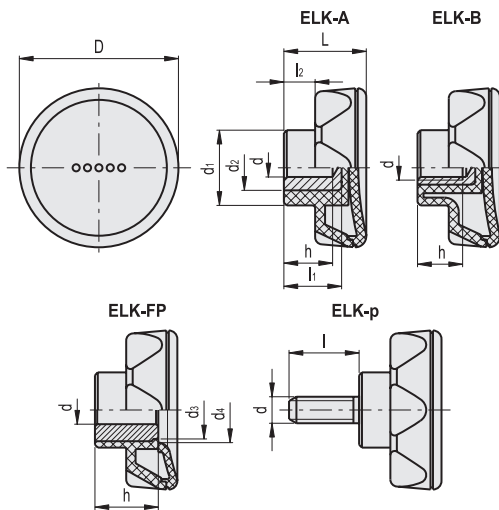
Glass-fibre reinforced polyamide based (PA) technopolymer, grey-black colour, matte finish.

CAP

Technopolymer in Ergostyle colours, matte finish. Ultrasonically welded to the body of the knob.

STANDARD EXECUTIONS

- **ELK-A:** black-oxide steel boss, H9 reamed blind hole.
- **ELK-B:** brass boss, threaded blind hole.
- **ELK-FP:** black-oxide steel boss, H7 reamed pass-through hole.
- **ELK-p:** zinc-plated steel threaded stud with chamfered flat end as in UNI 947 : ISO 4753 (see Technical data on page A-11).



ERGOSTYLE® ELESA Original design



* Complete with colour index, example: 221206-C2 ELK.45 A-8-C2

C1 RAL7021 C2 RAL2004 C3 RAL7035 C4 RAL1021 C5 RAL5024 C6 RAL3000

ELK-A

Code	Description	D	dH9	L	d1	d2	l1	l2	h	△
221206-*	ELK.45 A-8 -*	45	8	26	21	14	19	10	14	37
221406-*	ELK.56 A-8 -*	56	8	29	26.5	14	18	11	14	53
221606-*	ELK.70 A-10 -*	70	10	35	32.5	22	25	13	21	112

ELK-B

Code	Description	D	d6H	L	d1	l2	h	△
221221-*	ELK.45 B-M6-*	45	M6	26	21	10	12	29
221226-*	ELK.45 B-M8-*	45	M8	26	21	10	13	30
221426-*	ELK.56 B-M8-*	56	M8	29	26.5	11	13	41
221431-*	ELK.56 B-M10-*	56	M10	29	26.5	11	13	39
221436-*	ELK.56 B-M12-*	56	M12	29	26.5	11	13	37
221631-*	ELK.70 B-M10-*	70	M10	35	32.5	13	18	68
221636-*	ELK.70 B-M12-*	70	M12	35	32.5	13	17	66
221641-*	ELK.70 B-M16-*	70	M16	35	32.5	13	17	64

ELK-FP

Code	Description	D	dH7	L	d1	d2	d3	d4	l2	h	△
220416-*	ELK.56 FP-A-10-*	56	10	29	26.5	22	20.5	23	11	22	80
220616-*	ELK.70 FP-A-12-*	70	12	35	32.5	26	24	28	13	27	132

ELK-p

Code	Description	D	d6g	L	d1	l	l2	△
222221-*	ELK.45 p-M8x20-*	45	M8	26	21	20	10	33
222241-*	ELK.45 p-M8x30-*	45	M8	26	21	30	10	36
222251-*	ELK.45 p-M10x20-*	45	M10	26	21	20	10	36
222261-*	ELK.45 p-M10x30-*	45	M10	26	21	30	10	39
222271-*	ELK.45 p-M10x40-*	45	M10	26	21	40	10	42
222406-*	ELK.56 p-M8x20-*	56	M8	29	26.5	20	11	46
222416-*	ELK.56 p-M8x30-*	56	M8	29	26.5	30	11	49
222426-*	ELK.56 p-M8x40-*	56	M8	29	26.5	40	11	52
222451-*	ELK.56 p-M10x20-*	56	M10	29	26.5	20	11	55
222461-*	ELK.56 p-M10x30-*	56	M10	29	26.5	30	11	61
222471-*	ELK.56 p-M10x40-*	56	M10	29	26.5	40	11	67
222481-*	ELK.56 p-M12x30-*	56	M12	29	26.5	30	11	68
222491-*	ELK.56 p-M12x40-*	56	M12	29	26.5	40	11	73
222501-*	ELK.56 p-M12x50-*	56	M12	29	26.5	50	11	78
222616-*	ELK.70 p-M10x30-*	70	M10	35	32.5	30	13	83
222621-*	ELK.70 p-M10x40-*	70	M10	35	32.5	40	13	88
222631-*	ELK.70 p-M10x50-*	70	M10	35	32.5	50	13	93
222641-*	ELK.70 p-M12x30-*	70	M12	35	32.5	30	13	90
222651-*	ELK.70 p-M12x40-*	70	M12	35	32.5	40	13	96
222661-*	ELK.70 p-M12x50-*	70	M12	35	32.5	50	13	102

