

LOBE SOLID CAP

Glass-fibre reinforced polyamide based (PA) technopolymer, black colour, matte finish, with security anti-intrusion-profiled key slot.

FLANGE

Technopolymer, ultrasonically welded.

CLAMPING ELEMENT

Acetal resin based (POM) technopolymer, black colour, matte finish.

STANDARD EXECUTIONS

- **VLS-B**: brass boss, threaded blind hole.
- **VLS-SST-p**: AISI 304 stainless steel threaded stud, chamfered flat end according to UNI 947 : ISO 4753 (see Technical data on page A-11).

SECURITY KEY (TO BE ORDERED SEPARATELY)

- **CSN** (code 6951): acetal resin based (POM) technopolymer fold-away key, red colour, anti-intrusion-profiled stainless steel insert.
- **CSF** (code 6952): polyamide based (PA) technopolymer ball key, red colour, anti-intrusion-profiled stainless steel insert.

On request and for sufficient quantities the security keys can be supplied in black.

SECURITY DEVICE OPERATION

VLS. security lobe knobs have been designed to be unscrewed only by authorised people, provided with the security key. Without the security key, the knob turns without unscrewing.

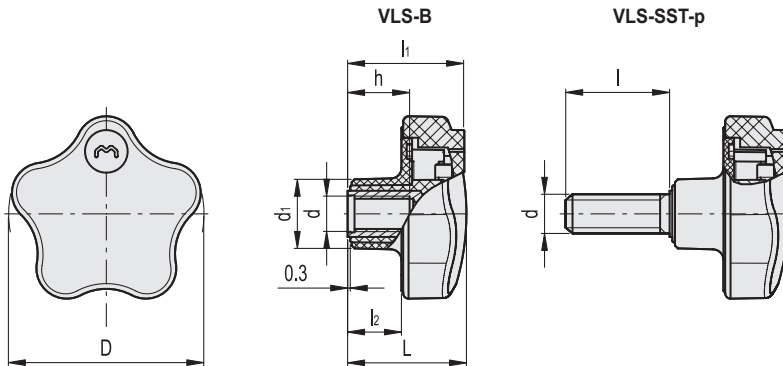
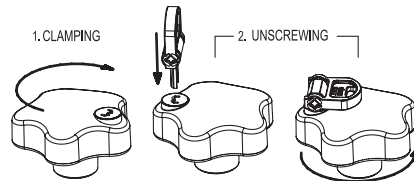
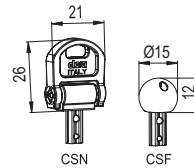
1. Clamping: clamp the knob by screwing it as for a normal knob. Mind that the security key is not inserted.
2. Unscrewing: simply insert the security key (without turning it) and unscrew the knob.

FEATURES AND APPLICATIONS

The particular design of the internal device and of the flange helps the drainage of any dirt (dust, earth, liquid).



ELESA Original design



VLS-B									
Code	Description	D	d6H	L	d1	l1	l2	h	Δ
76501	VLS.42 B-M6*	41.5	M6	30	16.5	29.5	14.5	12	25
76502	VLS.42 B-M8*	41.5	M8	30	16.5	29.5	14.5	13	26
76551	VLS.55 B-M8*	55	M8	33	19	32	15	13	33
76552	VLS.55 B-M10*	55	M10	33	19	32	15	17	35

VLS-SST-p									
Code	Description	D	d6g	L	d1	l	l1	l2	Δ
76621	VLS.55-SST-p-M10x20*	55	M10	33	19	20	32	15	44
76625	VLS.55-SST-p-M10x40*	55	M10	33	19	40	32	15	52

* Keys are not supplied with the knobs, to be ordered separately

