



MATERIAL

Phenolic based (PF) Duroplast, black colour, glossy finish.

INDEX

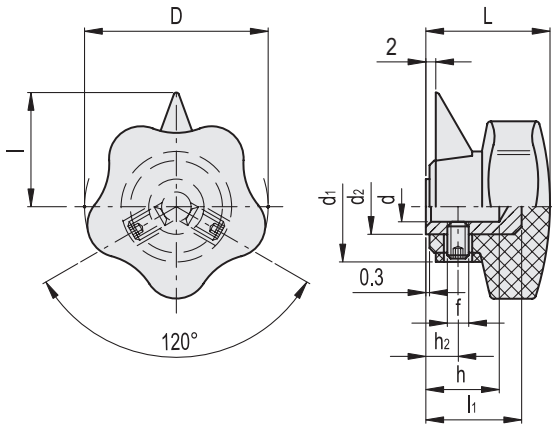
Polyamide based (PA) technopolymer.

STANDARD EXECUTIONS

- **VC.192-B+IN**: brass boss, plain blind hole.
 - **VC.192-A+IN**: black-oxide steel boss, plain blind hole.
- Assembly by means of supplied transversal grub screws UNI 5929-85 (grub screws with hexagon socket and cup end).



ELESA Original design



Code	Description	D	dH9	L	l	l1	d1	d2	h	h2	f	△
66321	VC.192/40 B-6+IN	40	6	27	25	17	25	14	14	6	M4	37
66431	VC.192/50 A-8+IN	50	8	33	31	25	30	15	20	7	M5	70
66531	VC.192/60 A-8+IN	60	8	37	38	25	32	15	20	7	M5	105
66631	VC.192/70 A-10+IN	70	10	44	45	31	35	18	25	11	M6	150
66711	VC.192/85 A-10+IN	85	10	55	50	38	41	22	25	14	M6	250

