

- 1
- 2
- 3
- 4
- 5
- 6
- 7
- 8
- 9
- 10
- 11
- 12
- 13
- 14
- 15
- RH

MATERIAL

Glass-fibre reinforced polyamide based (PA) technopolymer certified self-extinguishing UL-94 V0.

STANDARD EXECUTION

Brass boss with threaded blind hole (VCT.25) or pass-through hole (VCT. from 32 to 50).

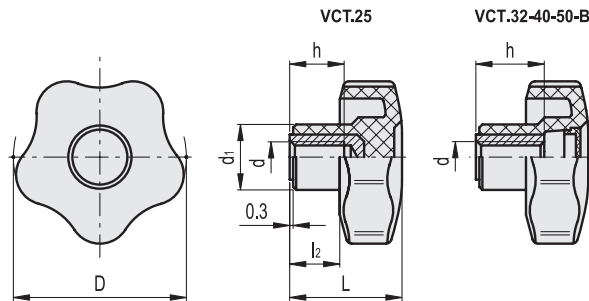
TECHNICAL DATA

In long-term thermal ageing tests, with a maximum decrease in critical mechanical properties by 50%, the relative temperature index UL 746 B (RTI) was equal to 65.

The "V0" certification in accordance with UL-94 V (Underwriters Laboratories) indicates that on a plastic test sample with specific shape and dimensions, in the vertical position, the flame is extinguished within 10 seconds, without generating incandescent drops.



ELESA Original design



Code	Description	D	d6H	L	d1	l2	h	△△
150534	VCT.25 AE-V0 B-M5	25	M5	19	13	8	10	6
150544	VCT.32 AE-V0 B-M6	32	M6	23	15	10	12	11
150564	VCT.40 AE-V0 B-M8	40	M8	27	17	12	18	24
150584	VCT.50 AE-V0 B-M10	50	M10	32	19	14	26	34

"Max limit Tightening torque" means the max torque value at which the metal insert, in normal conditions of use, is perfectly and strongly anchored to the plastic material.