

VDO.FP

ELESA original design

Solid handwheels



Material

High-resistance reinforced phenolic based (PF) Duroplast. Resistant to solvents, oils, greases and other chemical agents.

Colour

Black, glossy finish.

Ring

Matte anodised aluminium.
(ELESA original design - Reg. U.S. Pat. & TM Off.)

Standard executions

Black-oxide steel hub, uncovered front end, not drilled. See table for maximum permissible boring diameter d' and d'' .

- **VDO.FP**: without handle.
- **VDO.FP+I**: with revolving handle I.301+x in phenolic based (PF) Duroplast, black colour, glossy finish.
- **VDO.FP+IR**: with fold-away handle IR.407 in phenolic based (PF) Duroplast, black colour, glossy finish.
- **VDO.FP+IRS**: with safety fold-away handle IRS.802 in high resilience polypropylene based (PP) technopolymer, black colour, matte finish with "Fold-O-Matic"® safety device which automatically makes the handle fold-away.

Ergonomy

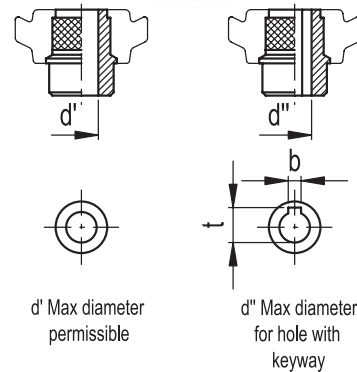
The rim with front and rear scallops makes the grip and the manoeuvre of the handwheel easier.

Accessories on request

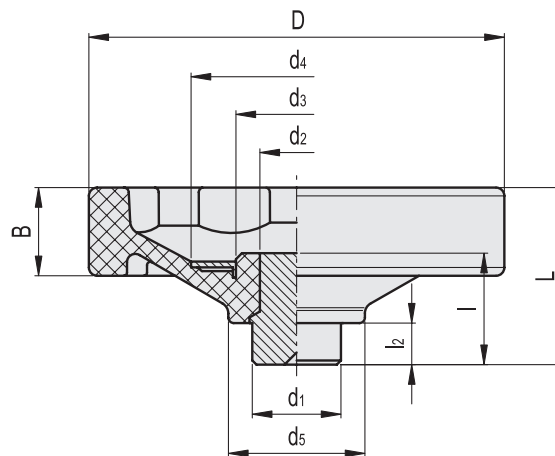
Axial retaining washer type GN 184.

Special executions on request

- VDO.FP+I+W (for all models except VDO.125 and VDO.150) with incorporated counterweights.
- VDO.FP+IR+W (for all models except VDO.100, VDO.125 and VDO.150) with incorporated counterweights.
- VDO.FP+IRS+W (for all models except VDO.150) with incorporated counterweights.



VDO.FP



VDO.FP

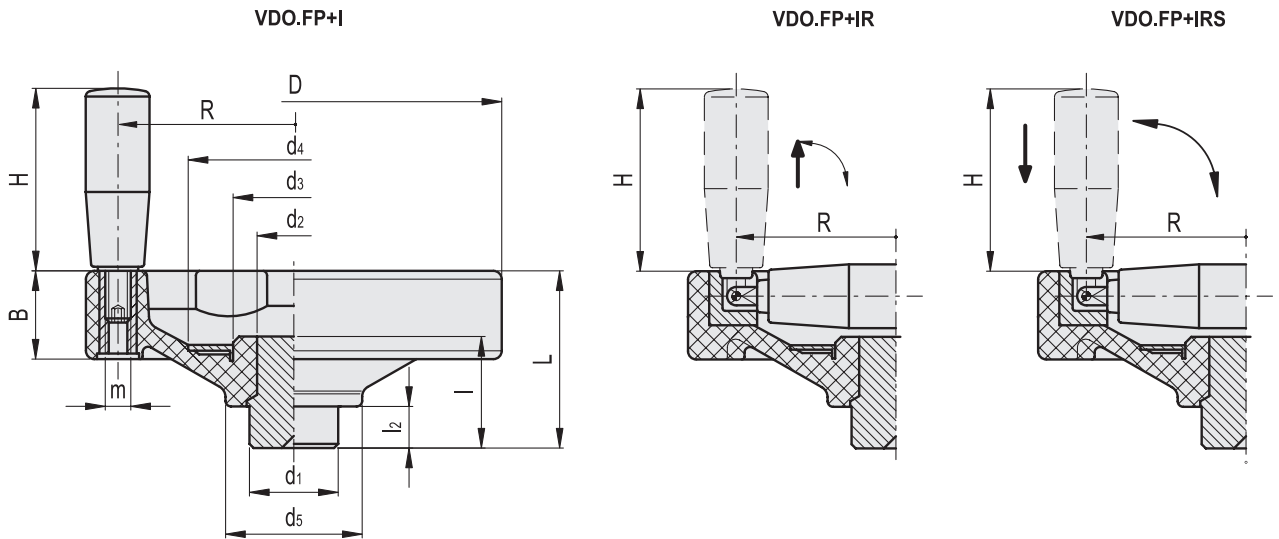
Code	Description	D	L	B	d ₁	d ₂	d ₃	d ₄	d ₅	l	l ₂	d'	d''	t	b	C# [Nm]	L# [J]	⚖️
72001	VDO.125 FP	125	60	30	32	24	44	70	46	38	15	20	16	18.3	5	450	28	490
72101	VDO.150 FP	150	63	32	32	24	44	70	48	38	15	20	16	18.3	5	480	30	630
72201	VDO.175 FP	178	65	32	40	31	55	90	56	43	15	26	22	24.8	6	730	40	930
72301	VDO.200 FP	201	70	34	40	31	55	90	60	43	15	26	22	24.8	6	1060	42	1160
72401	VDO.225 FP	227	74	35	49	38	66	110	66	44	15	34	27	30.3	8	1340	45	1540
72501	VDO.250 FP	249	77	36	49	38	66	110	70	44	15	34	27	30.3	8	1700	46	1740

For maximum torque (C) and impact strength (L) see Technical data.



ELESA models all rights reserved in accordance with the law. Always mention the source when reproducing our drawings.

11-09-2014



VDO.FP+I

Code	Description	D	L	B	d ₁	d ₂	d ₃	d ₄	d ₅	l	l ₂	H	m	R	d'	d''	t	b	C# [Nm]	L# [J]	⚖
72011	VDO.125 FP+I	125	60	30	32	24	44	70	46	38	15	65	M8	47	20	16	18.3	5	450	28	555
72111	VDO.150 FP+I	150	63	32	32	24	44	70	48	38	15	65	M8	58	20	16	18.3	5	480	30	695
72211	VDO.175 FP+I	178	65	32	40	31	55	90	56	43	15	80	M10	66	26	22	24.8	6	730	40	1015
72311	VDO.200 FP+I	201	70	34	40	31	55	90	60	43	15	90	M10	77	26	22	24.8	6	1060	42	1275
72411	VDO.225 FP+I	227	74	35	49	38	66	110	66	44	15	90	M10	99	34	27	30.3	8	1340	45	1655
72511	VDO.250 FP+I	249	77	36	49	38	66	110	70	44	15	90	M10	101	34	27	30.3	8	1700	46	1845

VDO.FP+IR

Code	Description	D	L	B	d ₁	d ₂	d ₃	d ₄	d ₅	l	l ₂	H	R	d'	d''	t	b	C# [Nm]	L# [J]	⚖
71931	VDO.100 FP+IR	100	52	26	24	20	35	54	39	33	12	56	38	16	13	15.3	5	240	20	355
72021	VDO.125 FP+IR	125	60	30	32	24	44	70	46	38	15	65	47	20	16	18.3	5	450	28	590
72121	VDO.150 FP+IR	150	63	32	32	24	44	70	48	38	15	65	58	20	16	18.3	5	480	30	780
72221	VDO.175 FP+IR	178	65	32	40	31	55	90	56	43	15	90	66	26	22	24.8	6	730	40	1100
72321	VDO.200 FP+IR	201	70	34	40	31	55	90	60	43	15	90	77	26	22	24.8	6	1060	42	1350
72421	VDO.225 FP+IR	227	74	35	49	38	66	110	66	44	15	90	99	34	27	30.3	8	1340	45	1800
72521	VDO.250 FP+IR	249	77	36	49	38	66	110	70	44	15	90	101	34	27	30.3	8	1700	46	1970

VDO.FP+IRS

Code	Description	D	L	B	d ₁	d ₂	d ₃	d ₄	d ₅	l	l ₂	H	R	d'	d''	t	b	C# [Nm]	L# [J]	⚖
72151	VDO.150 FP+IRS	150	63	32	32	24	44	70	48	38	15	68	58	20	16	18.3	5	480	30	755
72251	VDO.175 FP+IRS	178	65	32	40	31	55	90	56	43	15	80	66	26	22	24.8	6	730	40	1120
72351	VDO.200 FP+IRS	201	70	34	40	31	55	90	60	43	15	90	77	26	22	24.8	6	1060	42	1315
72451	VDO.225 FP+IRS	227	74	35	49	38	66	110	66	44	15	90	99	34	27	30.3	8	1340	45	1740
72531	VDO.250 FP+IRS	249	77	36	49	38	66	110	70	44	15	90	101	34	27	30.3	8	1700	46	1960

For maximum torque (C) and impact strength (L) see Technical data.