

- 1
- 2
- 3
- 4
- 5
- 6
- 7
- 8
- 9
- 10
- 11
- 12
- 13
- 14
- 15
- RH

MATERIAL

High-strength, reinforced phenolic based (PF) Duroplast, black colour, glossy finish.

RING

Matte anodised aluminium.
(ELESA Original design - Reg. U.S. Pat. & TM Off.)

STANDARD EXECUTION

Safety coupling bushing with "Pull-coupling" assembly GN 000.5 (see page 117) hardened steel with ground sliding surfaces, reamed assembly hole and keyway in compliance with DIN 6885/2 tolerance P9 (see page A-16).
Revolving handle I.281+x (see page 403) in Duroplast.

SPECIAL EXECUTIONS ON REQUEST

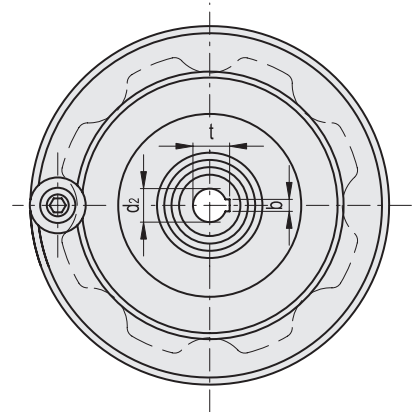
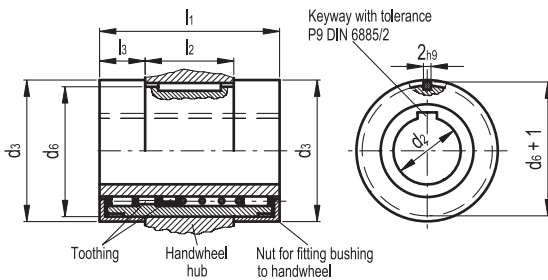
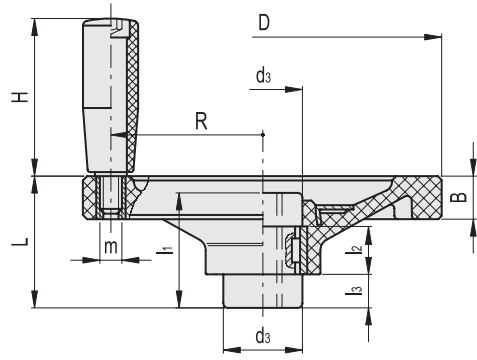
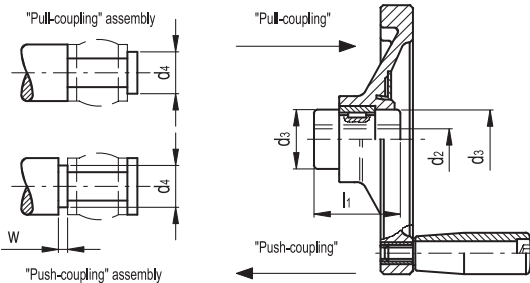
These handwheels can be supplied with "Push-coupling". By inserting the bushing the other way round, the handwheel operates opposite to the standard way.

INSTRUCTIONS OF USE

Safety handwheels are designed in accordance with accident prevention rules: in case of push or accidental pressure when the machine is operating, the handwheel is disengaged and is in the rest position. Only by "Pulling" the handwheel parallel to the axis can the shaft operate: the two toothed elements inside the bushing fit into each other in order to couple the handwheel to the shaft. The handwheel returns automatically to its rest position when it is released after the operation.



ELESA Original design



Code	Description	D	d2 H7	L	B	d3	d4 max	d5	d6	l1	l2 ±0.2	l3	H	m	R	w min	t	b	△
70551	VD.125 FP+I+ST 12	125	12	45	15	29	17	29	25-0.05	42	18	12	65	M8	53	4	13.1	4	465
70751	VD.150 FP+I+ST 14	150	14	55	18	33	21	33	29-0.05	48	20	14	65	M8	64	4	15.3	5	650
70851	VD.175 FP+I+ST 14	175	14	56	19	33	21	33	29-0.05	48	20	14	80	M10	75	4	15.3	5	810
70951	VD.200 FP+I+ST 18	200	18	61	21	39	26	39	35-0.05	50	24	13	90	M10	86	4	19.7	6	1220
71151	VD.250 FP+I+ST 22	249	22	71	25	46	30	46	41-0.05	54	28	13	90	M10	109	4	23.7	6	1670