

## Solid handwheels



### Material

High-strength, reinforced phenolic based (PF) Duroplast. Resistant to solvents, oils, greases and other chemical agents.

### Colour

Black, glossy finish.

### Ring

Matte anodised aluminium.

(ELESA original design - Reg. U.S. Pat. & TM Off.)

For VD.50 and VD.63, due to their small dimensions, a matte anodised aluminium centre disc is supplied, instead of the ring.

### Standard executions

Black-oxide steel hub, uncovered front end.

- **VD.FP**: without handle, hub not drilled.

- **VD.FP-A**: without handle, hub with H7 reamed hole.

- **VD.FP+I**: with revolving handle I.301+x in phenolic based (PF) Duroplast, black colour, glossy finish, hub not drilled.

- **VD.FP+I-A**: with revolving handle I.301+x in phenolic based (PF) Duroplast, black colour, glossy finish, hub with H7 reamed hole.

AISI 303 stainless steel hub, uncovered front end not drilled. See table for maximum permissible boring diameter  $d'$  and  $d''$ .

- **VD.FP-SST**: without handle.

- **VD.FP+I-SST**: with revolving handle I.301+x-SST.

### Accessories on request

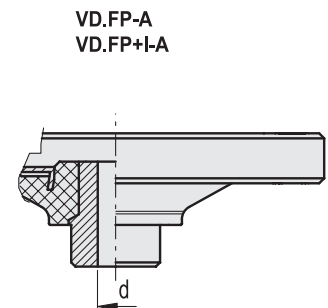
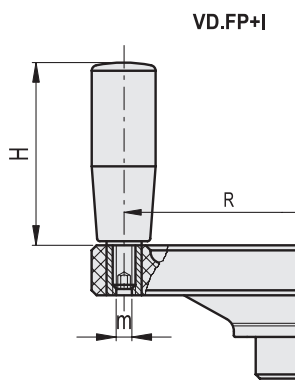
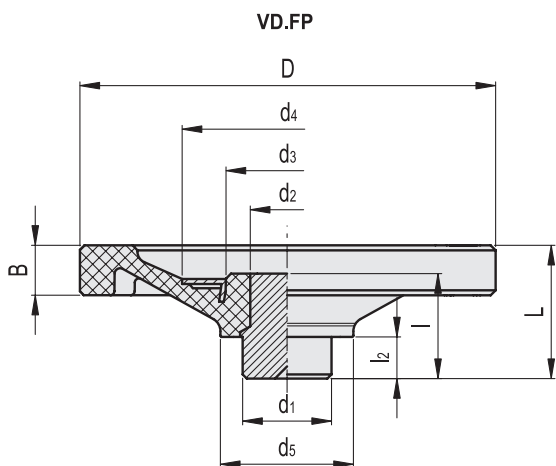
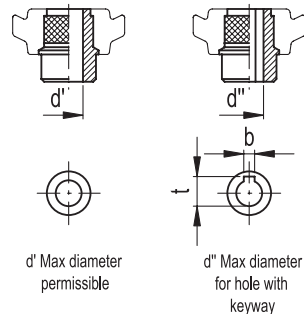
Axial retaining washer type GN 184 and GN 184.5.

### Special executions on request

Hub with H7 reamed hole (VD.FP-A) with keyway in compliance with DIN 6885/1 tolerance P9.

To order the handwheel with keyway complete code and description with the index -K (i.e. 70105-K VD.50 FP-A-10-K).

VD.FP+I+W-SST with incorporated counterweights for VD. 200, VD.250.



### VD.FP


Code	Description	D	d <sub>H7</sub>	L	B	d <sub>1</sub>	d <sub>2</sub>	d <sub>3</sub>	d <sub>4</sub>	d <sub>5</sub>	l	l <sub>2</sub>	d'	d''	t	b	C# [Nm]	L# [J]	⚖
70101	VD.50 FP	50	-	22	12	16	16	-	25	26	19	9	12	10	11.4	3	55	3	60
70105	VD.50 FP-A-10	50	10	22	12	16	16	-	25	26	19	9	-	-	-	-	55	3	50
70201	VD.63 FP	63	-	28	13	20	20	-	31	28	24	10	13	11	12.8	4	75	4	115
70205	VD.63 FP-A-10	63	10	28	13	20	20	-	31	28	24	10	-	-	-	-	75	4	100



**VD.FP**

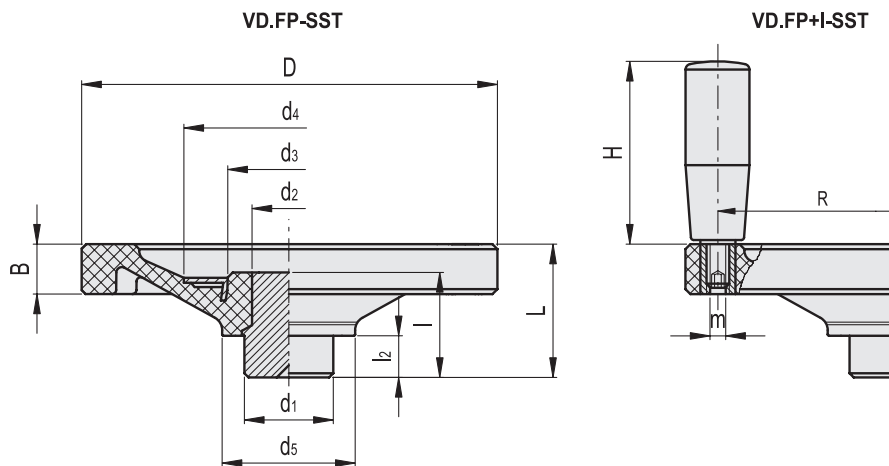
Code	Description	D	dH7	L	B	d1	d2	d3	d4	d5	l	l2	d'	d''	t	b	C# [Nm]	L# [J]	
70301	VD.80 FP	80	-	31	14	20	16	28	43	30	28	10	13	11	12.8	4	90	8	145
70305	VD.80 FP-A-10	80	10	31	14	20	16	28	43	30	28	10	-	-	-	-	90	8	120
70307	VD.80 FP-A-12	80	12	31	14	20	16	28	43	30	28	10	-	-	-	-	90	8	115
70401	VD.100 FP	100	-	40	15	24	20	35	54	39	36	12	16	13	15.3	5	150	11	260
70405	VD.100 FP-A-10	100	10	40	15	24	20	35	54	39	36	12	-	-	-	-	150	11	230
70407	VD.100 FP-A-12	100	12	40	15	24	20	35	54	39	36	12	-	-	-	-	150	11	225
70501	VD.125 FP	125	-	44	15	32	24	44	70	46	38	15	20	16	18.3	5	300	14	380
70505	VD.125 FP-A-12	125	12	44	15	32	24	44	70	46	38	15	-	-	-	-	300	14	335
70507	VD.125 FP-A-14	125	14	44	15	32	24	44	70	46	38	15	-	-	-	-	300	14	330
70601	VD.140 FP	140	-	46	18	32	24	44	70	48	38	15	20	16	18.3	5	300	19	465
70605	VD.140 FP-A-14	140	14	46	18	32	24	44	70	48	38	15	-	-	-	-	300	19	430
70701	VD.150 FP	150	-	48	18	32	24	44	70	48	38	15	20	16	18.3	5	300	19	510
70703	VD.150 FP-A-14	150	14	48	18	32	24	44	70	48	38	15	-	-	-	-	300	19	465
70705	VD.150 FP-A-16	150	16	48	18	32	24	44	70	48	38	15	-	-	-	-	300	19	460
70801	VD.175 FP	175	-	53	19	40	31	55	90	56	43	15	26	22	24.8	6	500	27	765
70803	VD.175 FP-A-16	175	16	53	19	40	31	55	90	56	43	15	-	-	-	-	500	27	705
70805	VD.175 FP-A-18	175	18	53	19	40	31	55	90	56	43	15	-	-	-	-	500	27	700
70901	VD.200 FP	200	-	57	21	40	31	55	90	60	43	15	26	22	24.8	6	700	36	970
70905	VD.200 FP-A-18	200	18	57	21	40	31	55	90	60	43	15	-	-	-	-	700	36	935
70907	VD.200 FP-A-20	200	20	57	21	40	31	55	90	60	43	15	-	-	-	-	700	36	900
71001	VD.225 FP	225	-	61	23	49	38	66	110	66	44	15	34	27	30.3	8	900	36	1340
71101	VD.250 FP	249	-	65	25	49	38	66	110	70	44	15	35	27	30.3	8	1300	40	1520
71105	VD.250 FP-A-22	249	22	65	25	49	38	66	110	70	44	15	-	-	-	-	1300	40	1390
71201	VD.300 FP	301	-	75	25	58	58	94	148	82	56	18	42	38	41.3	10	1500	48	2920
71205	VD.300 FP-A-26	301	26	75	25	58	58	94	148	82	56	18	-	-	-	-	1500	48	2685
71301	VD.350 FP	350	-	92	38	58	58	94	148	90	56	18	42	38	41.3	10	1600	65	3960

**VD.FP+I**

Code	Description	D	dH7	L	B	d1	d2	d3	d4	d5	l	l2	H	m	R	d'	d''	t	b	C# [Nm]	L# [J]	
70111	VD.50 FP+I	50	-	22	12	16	16	-	25	26	19	9	28	M6	19	12	10	11.4	3	55	3	75
70115	VD.50 FP+I-A-10	50	10	22	12	16	16	-	25	26	19	9	28	M6	19	-	-	-	-	55	3	65
70211	VD.63 FP+I	63	-	28	13	20	20	-	31	28	24	10	40	M6	24	13	11	12.8	4	75	4	145
70215	VD.63 FP+I-A-10	63	10	28	13	20	20	-	31	28	24	10	40	M6	24	-	-	-	-	75	4	130
70321	VD.80 FP+I	80	-	31	14	20	16	28	43	30	28	10	40	M6	32	13	11	12.8	4	90	8	180
70325	VD.80 FP+I-A-10	80	10	31	14	20	16	28	43	30	28	10	40	M6	32	-	-	-	-	90	8	155
70327	VD.80 FP+I-A-12	80	12	31	14	20	16	28	43	30	28	10	40	M6	32	-	-	-	-	90	8	145
70421	VD.100 FP+I	100	-	40	15	24	20	35	54	39	36	12	50	M6	41	16	13	15.3	5	150	11	300
70425	VD.100 FP+I-A-10	100	10	40	15	24	20	35	54	39	36	12	50	M6	41	-	-	-	-	150	11	270
70427	VD.100 FP+I-A-12	100	12	40	15	24	20	35	54	39	36	12	50	M6	41	-	-	-	-	150	11	260
70521	VD.125 FP+I	125	-	44	15	32	24	44	70	46	38	15	65	M8	53	20	16	18.3	5	300	14	465
70525	VD.125 FP+I-A-12	125	12	44	15	32	24	44	70	46	38	15	65	M8	53	-	-	-	-	300	14	415
70527	VD.125 FP+I-A-14	125	14	44	15	32	24	44	70	46	38	15	65	M8	53	-	-	-	-	300	14	405
70621	VD.140 FP+I	140	-	46	18	32	24	44	70	48	38	15	65	M8	60	20	16	18.3	5	300	19	530
70625	VD.140 FP+I-A-14	140	14	46	18	32	24	44	70	48	38	15	65	M8	60	-	-	-	-	300	19	500
70711	VD.150 FP+I	150	-	48	18	32	24	44	70	48	38	15	65	M8	64	20	16	18.3	5	300	19	580
70713	VD.150 FP+I-A-14	150	14	48	18	32	24	44	70	48	38	15	65	M8	64	-	-	-	-	300	19	540
70715	VD.150 FP+I-A-16	150	16	48	18	32	24	44	70	48	38	15	65	M8	64	-	-	-	-	300	19	530
70821	VD.175 FP+I	175	-	53	19	40	31	55	90	56	43	15	80	M10	75	26	22	24.8	6	500	27	850
70823	VD.175 FP+I-A-16	175	16	53	19	40	31	55	90	56	43	15	80	M10	75	-	-	-	-	500	27	810
70825	VD.175 FP+I-A-18	175	18	53	19	40	31	55	90	56	43	15	80	M10	75	-	-	-	-	500	27	800
70921	VD.200 FP+I	200	-	57	21	40	31	55	90	60	43	15	90	M10	86	26	22	24.8	6	700	36	1080
70925	VD.200 FP+I-A-18	200	18	57	21	40	31	55	90	60	43	15	90	M10	86	-	-	-	-	700	36	1045
70927	VD.200 FP+I-A-20	200	20	57	21	40	31	55	90	60	43	15	90	M10	86	-	-	-	-	700	36	1020
71021	VD.225 FP+I	225	-	61	23	49	38	66	110	66	44	15	90	M10	99	34	27	30.3	8	900	36	1430
71121	VD.250 FP+I	249	-	65	25	49	38	66	110	70	44	15	90	M10	109	35	27	30.3	8	1300	40	1630
71125	VD.250 FP+I-A-22	249	22	65	25	49	38	66	110	70	44	15	90	M10	109	-	-	-	-	1300	40	1510
71221	VD.300 FP+I	301	-	75	25	58	58	94	148	82	56	18	90	M10	134	42	38	41.3	10	1500	48	3020
71225	VD.300 FP+I-A-26	301	26	75	25	58	58	94	148	82	56	18	90	M10	134	-	-	-	-	1500	48	2805
71311	VD.350 FP+I	350	-	92	38	58	58	94	148	90	56	18	100	M10	157	42	38	41.3	10	1600	65	4100

# For maximum torque (C) and impact strength (L) see Technical data.





#### VD.FP-SST

Code	Description	D	L	B	d <sub>1</sub>	d <sub>2</sub>	d <sub>3</sub>	d <sub>4</sub>	d <sub>5</sub>	l	l <sub>2</sub>	d'	d''	t	b	C# [Nm]	L# [J]	⚖
70461	VD.100 FP-SST	100	40	15	24	20	35	54	39	36	12	16	13	15.3	5	150	11	260
70561	VD.125 FP-SST	125	44	15	32	24	44	70	46	38	15	20	16	18.3	5	300	14	380
70761	VD.150 FP-SST	150	48	18	32	24	44	70	48	38	15	20	16	18.3	5	300	19	510
70961	VD.200 FP-SST	200	57	21	40	31	55	90	60	43	15	26	22	24.8	6	700	36	970
71161	VD.250 FP-SST	249	65	25	49	38	66	110	70	44	15	35	27	30.3	8	1300	40	1520
71261	VD.300 FP-SST	301	75	25	58	58	94	148	82	56	18	42	38	41.3	10	1500	48	2920

#### VD.FP+I-SST

Code	Description	D	L	B	d <sub>1</sub>	d <sub>2</sub>	d <sub>3</sub>	d <sub>4</sub>	d <sub>5</sub>	l	l <sub>2</sub>	H	m	R	d'	d''	t	b	C# [Nm]	L# [J]	⚖
70481	VD.100 FP+I-SST	100	40	15	24	20	35	54	39	36	12	50	M6	41	16	13	15.3	5	150	11	300
70581	VD.125 FP+I-SST	125	44	15	32	24	44	70	46	38	15	65	M8	53	20	16	18.3	5	300	14	465
70781	VD.150 FP+I-SST	150	48	18	32	24	44	70	48	38	15	65	M8	64	20	16	18.3	5	300	19	580
70981	VD.200 FP+I-SST	200	57	21	40	31	55	90	60	43	15	90	M10	86	26	22	24.8	6	700	36	1080
71181	VD.250 FP+I-SST	249	65	25	49	38	66	110	70	44	15	90	M10	109	35	27	30.3	8	1300	40	1630
71281	VD.300 FP+I-SST	301	75	25	58	58	94	148	82	56	18	90	M10	134	42	38	41.3	10	1500	48	3020

# For maximum torque (C) and impact strength (L) see Technical data.