

- 1
- 2
- 3
- 4
- 5
- 6
- 7
- 8
- 9
- 10
- 11
- 12
- 13
- 14
- 15
- RH

MATERIAL

Glass-fibre reinforced polypropylene based (PP) technopolymer, black colour, matte finish.

BOSS CAP

Polyester based technopolymer (PBT) in Ergostyle colours, glossy finish, press-fit mounting.

Available also as accessory sold separately (see table ECB.).

| Code | Description | Boss cap for |
|---------|-------------|--------------|
| 29451-* | ECB.I3-* | EMW.350 |

* Complete with colour index (C1, ..., C6).

STANDARD EXECUTIONS

Black-oxide steel boss, H7 reamed hole.

- **EMW+IEL**: with revolving handle IEL+x-SOFT (see page 377) in technopolymer coated with "Soft touch" thermoplastic elastomer (TPE).
- **EMW+IR**: with fold-away handle IR.620 (see page 414) in technopolymer.

SPECIAL EXECUTIONS ON REQUEST

Bosses with hole and keyway in compliance with DIN 6885/1 tolerance P9 (see page A-16).

To order the handwheel with keyway complete code and description with the index -K (i.e. 204611-K- EMW.350+IEL A-20-K).

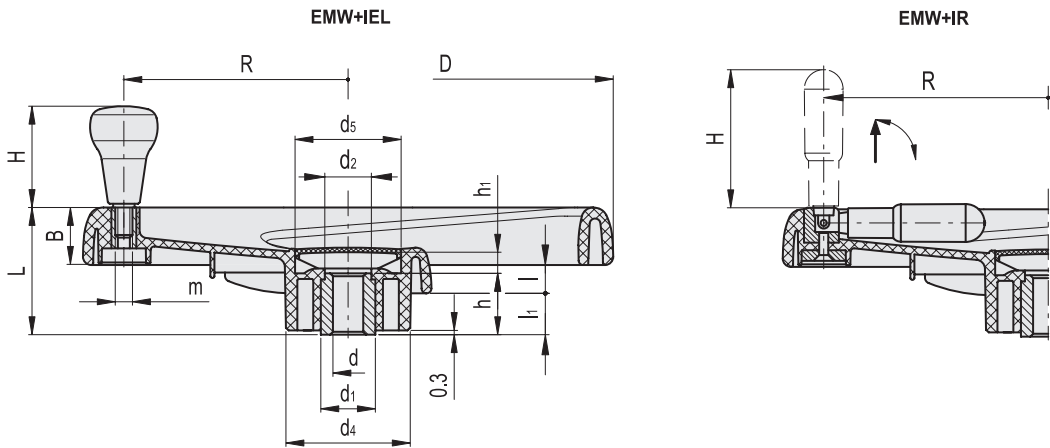
For sufficient quantities: executions with locking device (Elesa patent), (see page 128).

ACCESSORIES ON REQUEST

Axial retaining washer GN 184 (see page 677).



ERGOSTYLE® ELESA Original design



* Complete with colour index, example: 204611-C2 EMW.350+IEL A-20-C2

C1 RAL7021 **C2** RAL2004 **C3** RAL7035 **C4** RAL1021 **C5** RAL5024 **C6** RAL3000

EMW+IEL

| Code | Description | D | dH7 | L | B | d1 | d2 | d4 | d5 | l | l1 | h | h1 | H | m | R | C# [Nm] | L# [J] | ⚖ |
|----------|--------------------|-----|-----|----|----|----|----|----|----|----|----|----|----|----|-----|-----|---------|--------|------|
| 204611-* | EMW.350+IEL-A-20-* | 350 | 20 | 82 | 38 | 35 | 33 | 82 | 70 | 19 | 25 | 38 | 14 | 65 | M10 | 148 | 380 | 14 | 1195 |

EMW+IR

| Code | Description | D | dH7 | L | B | d1 | d2 | d4 | d5 | l | l1 | h | h1 | H | R | C# [Nm] | L# [J] | ⚖ |
|----------|-------------------|-----|-----|----|----|----|----|----|----|----|----|----|----|----|-----|---------|--------|------|
| 204711-* | EMW.350+IR-A-20-* | 350 | 20 | 82 | 38 | 35 | 33 | 82 | 70 | 19 | 25 | 38 | 14 | 90 | 148 | 380 | 14 | 1240 |