

- 1
- 2
- 3
- 4
- 5
- 6
- 7
- 8
- 9
- 10
- 11
- 12
- 13
- 14
- 15
- RH

**MATERIAL**

High-resilience polypropylene based (PP) technopolymer, black colour, matte finish. Certified in compliance with FDA (U.S. Food and Drug administration).

**BOSS-CAP**

AISI 304 stainless steel self-adhesive front plate (adhesive certified in compliance with FDA U.S. Food and Drug Administration).

**STANDARD EXECUTIONS**

AISI 304 stainless steel boss, H7 reamed hole.  
See table for maximum permissible boring diameters d' and d".  
- **VRTP-P+I-SST**: with revolving handle I.621+x (see page 406) in polyamide based (PA) technopolymer, certified in compliance with FDA.  
- **VRTP-P+IR-SST**: with fold-away handle IR.620 (see page 414) in polyamide based (PA) technopolymer, certified in compliance with FDA. AISI 304 stainless steel pin, bushing and internal components, AISI 316L stainless steel support.

**ACCESSORIES ON REQUEST**

Axial retaining washer GN 184,5 (see page 677).

**SPECIAL EXECUTIONS ON REQUEST**

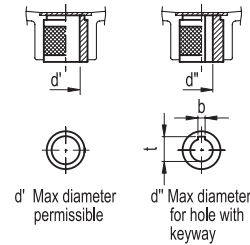
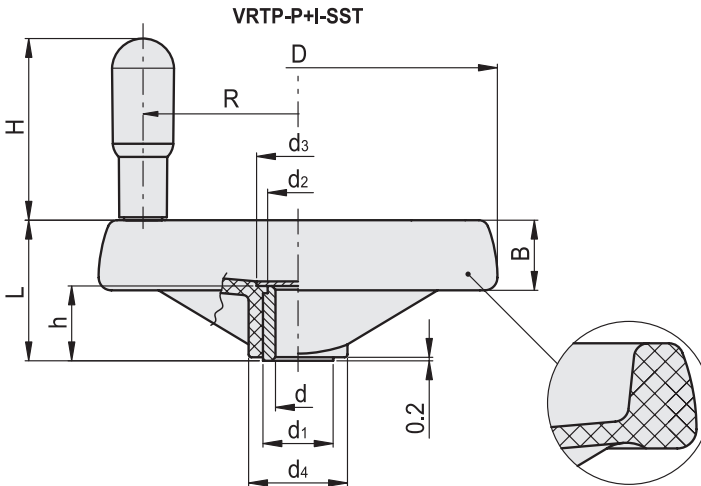
Bosses with hole and keyway in compliance with DIN 6885/1 tolerance P9 (see page A-16).  
To order the handwheel with keyway add the index -K after the code and the description (i.e. 79111-K VRTP.80-P+I-SST-8-K).

**FEATURES AND APPLICATIONS**

The solid rim of the handwheel allows the maximum cleaning thanks to the absence of rear recesses. For this reason, being the technopolymer polypropylene based and the metal components in AISI 304 stainless steel, this version of VRTP handwheel is designed for applications in food, pharmaceutical and medical fields.



ELESAs Original design



Solid rim without recesses maximum cleaning

**VRTP-P+I-SST**



Code	Description	D	dH7	L	B	d1	d2	d3	d4	h	H	R	d'	d''	t	b	C# [Nm]	L# [J]	⚖️
79111-R	VRTP.80-P+I-SST-8	80	8	35	18	18	16	20.5	25	17	45	29	14	10	11.4	3	32	5	104
79161-R	VRTP.100-P+I-SST-10	99	10	37	20	18	16	20.5	25.5	17	60	37	14	10	11.4	3	54	7	145
79211-R	VRTP.125-P+I-SST-12	125	12	44	22	22	20	26	31	22	65	48	18	12	13.8	4	94	10	245
79261-R	VRTP.160-P+I-SST-14	160	14	51	25	26	24	32	40	27	73	65	20	16	18.3	5	185	15	356
79311-R	VRTP.200-P+I-SST-16	200	16	61	28	30	28	36	50	34	80	84	24	18	20.8	6	300	24	552



**Material suitable for food contact**

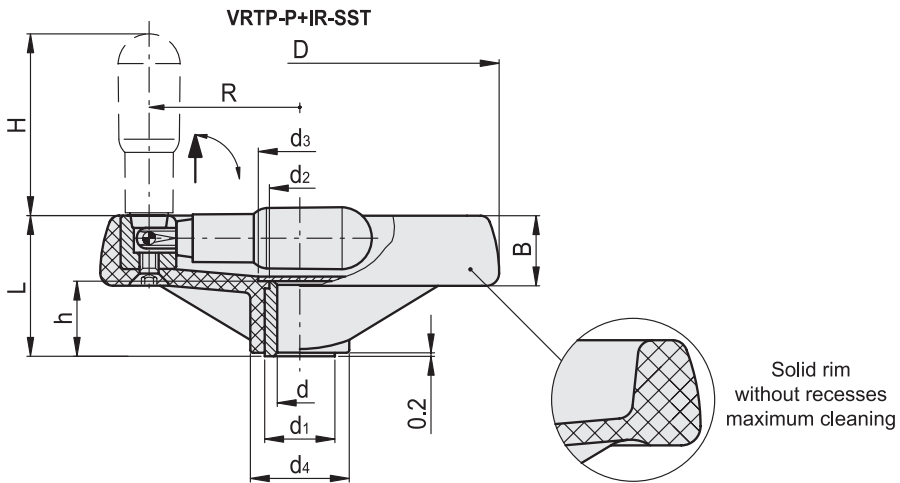
Technopolymer handwheel and handle.  
Certified in compliance with FDA (U.S. Food and Drug Administration)

**Corrosion resistance**

- 1. AISI 304 stainless steel handwheel central boss
- 2. AISI 304 stainless steel revolving handle pin
- 3. AISI 304 stainless steel pin, bushing and internal components, AISI 316L stainless steel support

**Easy cleaning**

- 4. Solid rim
- 5. Hub without recesses



VRTP-P+IR-SST



Code	Description	D	dH7	L	B	d1	d2	d3	d4	h	H	R	d'	d''	t	b	C# [Nm]	L# [J]	⚖️
79121-R	VRTP.80-P+IR-SST-8	80	8	35	18	18	16	20.5	25	17	45	29	14	10	11.4	3	32	5	102
79171-R	VRTP.100-P+IR-SST-10	99	10	37	20	18	16	20.5	25.5	17	60	37	14	10	11.4	3	54	7	163
79221-R	VRTP.125-P+IR-SST-12	125	12	44	22	22	20	26	31	22	65	48	18	12	13.8	4	94	10	230
79271-R	VRTP.160-P+IR-SST-14	160	14	51	25	26	24	31	40	27	73	65	20	16	18.3	5	185	15	388
79321-R	VRTP.200-P+IR-SST-16	200	16	61	28	30	28	36	50	34	80	84	24	18	20.8	6	300	24	593

# For maximum applicable torque (C) and impact strength (L) see Technical data on page A-3.

All rights reserved in accordance with the law. Always mention the source when reproducing our drawings.

