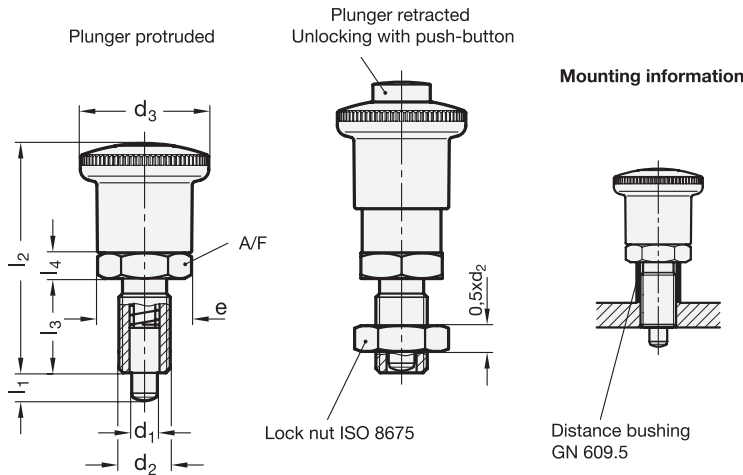


GN 414.1

Steel / Stainless Steel

Indexing plungers

with click-type safety lock, unlocking with push-button



3	Type
A	without lock nut
AK	with lock nut

1

2

d ₁ Plunger Bore H7	l ₁ min.	d ₂	d ₃	e	l ₂ ≈	l ₃	l ₄	A/F	Spring load in N ≈	
									initial	end
6	6	M 12 x 1,5	30	21,9	53,5	22	6	19	6,5	19
6	9	M 12 x 1,5	30	21,9	53,5	22	6	19	6	25
8	8	M 16 x 1,5	30	21,9	59,5	26	8	19	8,5	26
8	12	M 16 x 1,5	30	21,9	59,5	26	8	19	8,5	28
10	12	M 16 x 1,5	30	21,9	59,5	26	8	19	9,5	38

Specification

4

- Steel —
 - blackened
 - Plunger hardened
- Stainless Steel **NI**
 - AISI 303
 - Plunger chemically nickel plated
- Knob Plastic
 - Technopolymer (Polyamide PA)
 - black matt finish
 - not removable
 - black-grey, RAL 7021, matt
- Push-button
 - Technopolymer (Polyacetal POM)
 - red, RAL 3000, matt
- ISO-Fundamental tolerances
 - Main Catalogue Page 1132
- Stainless Steel characteristics
 - Main Catalogue Page 1144
- RoHS compliant

Information

Indexing plungers GN 414.1 with click-type safety lock are used when the plunger pin is to be briefly prevented from protruding. When the pin is retracted to its end position, the button engages with a clearly audible click.

The safety lock can be unlocked only by exerting axial pressure on the red safety pushbutton, with the plunger pin then returning to its starting position by spring force.

see also...

- *Stainless Steel-Distance bushings GN 609.5* → Main Catalogue Page 450
- *Positioning bushings GN 412.2* → Main Catalogue Page 454
- *Flat hexagon nuts GN 909* → Main Catalogue Page 451

Steel-Indexing plungers

GN 414.1-6-9-AK

1	d ₁
2	l ₁
3	Type

Stainless Steel-Indexing plungers

GN 414.1-10-12-A-NI

1	d ₁
2	l ₁
3	Type
4	Material