



- 1
- 2
- 3
- 4
- 5
- 6
- 7
- 8
- 9
- 10
- 11
- 12
- 13
- 14
- 15
- RH
-

MATERIAL

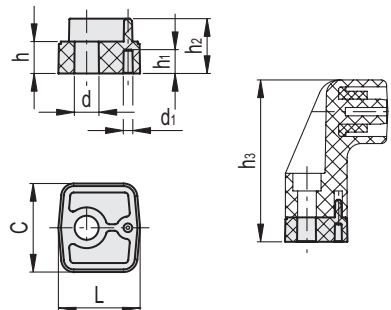
Glass-fibre reinforced polyamide based (PA) technopolymer, black colour, matte finish.

FEATURES AND APPLICATIONS

Spacer sleeves for M.1043/30 tubular handles have been designed to increase the distance between the handle and the fitting surface.



ELESA Original design



Code	Description	L	d	d1	h	h1	h2	h3	C	⚖
15291	DS-M.1043/30-10	35	10.5	4	10	6	20	88	38	14
15293	DS-M.1043/30-20	35	10.5	4	20	16	30	98	38	23