



**HANDLE SHANKS**

Glass-fibre reinforced polyamide based (PA) technopolymer, black colour, matte finish. Supplied not assembled. The handle shank connection to the tube avoids tube rotation.

Handle shanks group can be sold separately as well (tube not included).

Code	Description
15302	GR-M.1043/20
15301	GR-M1043/30

**ANTI-ROTATION TUBE END PLUGS**

NBR synthetic rubber.

**STANDARD EXECUTIONS**

Pass-through holes for cylindrical-head screws with hexagon socket. Two reference pins (to be fitted during handle assembly) guarantee an exact positioning of the shanks.

- **M.1043-EP:** aluminium tube, epoxy resin coating, metallflake graphite colour, matte finish. Highly resistant to wear, scratches and chemical agents. Avoid continuous and prolonged contact with boiling water or steam.

- **M.1043-AN:** anodised aluminium tube, natural colour.

- **M.1043-SST:** AISI 304 stainless steel tube.

Threaded blind holes. Two reference pins (to be fitted during handle assembly) guarantee an exact positioning of the shanks.

- **M.1066 BM-EP:** aluminium tube, epoxy resin coating, metallflake graphite colour, matte finish. Highly resistant to wear, scratches and chemical agents. Avoid continuous and prolonged contact with boiling water or steam.

- **M.1043 BM-AN:** anodised aluminium tube, natural colour.

- **M.1043-BM-SST:** AISI 304 stainless steel tube.

**TECHNICAL DATA**

Tensile stress: F2 values reported in the table are the result of breaking tests carried out with the appropriate dynamometric equipment under the test conditions shown in the figure with ambient temperature.

**ACCESSORIES ON REQUEST**

- Intermediate shank for tube diameter 20: code 15306 SCM.1043-20.

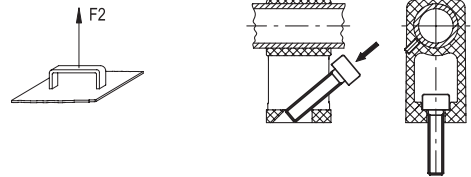
- Intermediate shank for tube diameter 30: code 15305 SCM.1043-30. Suggested for tube longer than 700 mm.

- Distance element for side shank with connection for tube Ø30 DS-M.1043 (see table).

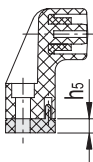


ELESA Original design

**Assembly**  
SCM. intermediate shank



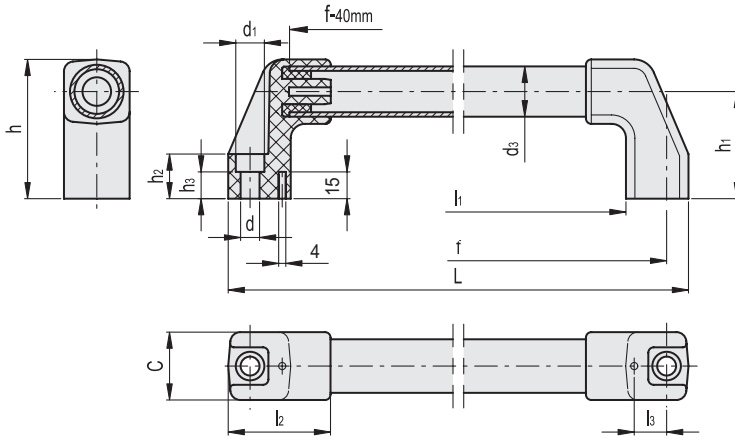
**DS-M.1043**



**DS-M.1043**

Code	Description	h5	For handle
15291	DS-M.1043/30-10	10	M.1043/30
15293	DS-M.1043/30-20	20	M.1043/30

M.1043-EP  
M.1043-AN  
M.1043-SST



M.1043-EP

M.1043-AN

Code	Description	Code	Description	fz1	d	d	d1	d4	h3	h4	h5	l1	l3	d2	d3	F2 [N]*
37621	M.1043/20-200-EP	37623	M.1043/20-200-AN	13.5	58	45	18	9.5	162	47	13	20	28	1500	2000	128
37631	M.1043/20-300-EP	37633	M.1043/20-300-AN	13.5	58	45	18	9.5	262	47	13	20	28	1500	2000	140
37641	M.1043/20-350-EP	37643	M.1043/20-350-AN	13.5	58	45	18	9.5	312	47	13	20	28	1400	1800	152
37651	M.1043/20-400-EP	37653	M.1043/20-400-AN	13.5	58	45	18	9.5	362	47	13	20	28	1200	1600	163
37661	M.1043/20-500-EP	37663	M.1043/20-500-AN	13.5	58	45	18	9.5	462	47	13	20	28	1000	1200	185
37671	M.1043/20-600-EP	37673	M.1043/20-600-AN	13.5	58	45	18	9.5	562	47	13	20	28	800	1000	210
37681	M.1043/20-700-EP	37683	M.1043/20-700-AN	13.5	58	45	18	9.5	662	47	13	20	28	600	900	232
37695	M.1043/30-200-EP	37697	M.1043/30-200-AN	16	78	60	25	15	154	57	18	30	38	3000	3900	233
37701	M.1043/30-300-EP	37703	M.1043/30-300-AN	16	78	60	25	15	254	57	18	30	38	3000	3900	255
37711	M.1043/30-350-EP	37713	M.1043/30-350-AN	16	78	60	25	15	304	57	18	30	38	2600	3500	277
37721	M.1043/30-400-EP	37723	M.1043/30-400-AN	16	78	60	25	15	354	57	18	30	38	2200	3300	295
37731	M.1043/30-500-EP	37733	M.1043/30-500-AN	16	78	60	25	15	454	57	18	30	38	1800	2400	337
37741	M.1043/30-600-EP	37743	M.1043/30-600-AN	16	78	60	25	15	554	57	18	30	38	1600	2000	378
37751	M.1043/30-700-EP	37753	M.1043/30-700-AN	16	78	60	25	15	654	57	18	30	38	1300	1800	417

M.1043-SST



Code	Description	fz1	L	d	d1	h	h1	h2	h3	l1	l2	l3	d3	C	F2 [N]*	F2 [N]#	⚖️
37622	M.1043/20-200-SST	200	220	8.5	13.5	58	45	18	9.5	162	47	13	20	28	1500	2000	128
37632	M.1043/20-300-SST	300	320	8.5	13.5	58	45	18	9.5	262	47	13	20	28	3000	4500	142
37642	M.1043/20-350-SST	350	370	8.5	13.5	58	45	18	9.5	312	47	13	20	28	2500	4000	154
37652	M.1043/20-400-SST	400	420	8.5	13.5	58	45	18	9.5	362	47	13	20	28	2000	3500	166
37662	M.1043/20-500-SST	500	520	8.5	13.5	58	45	18	9.5	462	47	13	20	28	1600	2500	190
37672	M.1043/20-600-SST	600	620	8.5	13.5	58	45	18	9.5	562	47	13	20	28	1100	1800	215
37682	M.1043/20-700-SST	700	720	8.5	13.5	58	45	18	9.5	662	47	13	20	28	900	1400	240
37696	M.1043/30-200-SST	200	224	10.5	16	78	60	25	15	154	57	18	30	38	3000	3900	233
37702	M.1043/30-300-SST	300	324	10.5	16	78	60	25	15	254	57	18	30	38	4200	5500	258
37712	M.1043/30-350-SST	350	374	10.5	16	78	60	25	15	304	57	18	30	38	4000	5250	282
37722	M.1043/30-400-SST	400	424	10.5	16	78	60	25	15	354	57	18	30	38	3800	5000	302
37732	M.1043/30-500-SST	500	524	10.5	16	78	60	25	15	454	57	18	30	38	3500	4500	343
37742	M.1043/30-600-SST	600	624	10.5	16	78	60	25	15	554	57	18	30	38	2800	4000	385
37752	M.1043/30-700-SST	700	724	10.5	16	78	60	25	15	654	57	18	30	38	2250	3500	425

\* Maximum working load

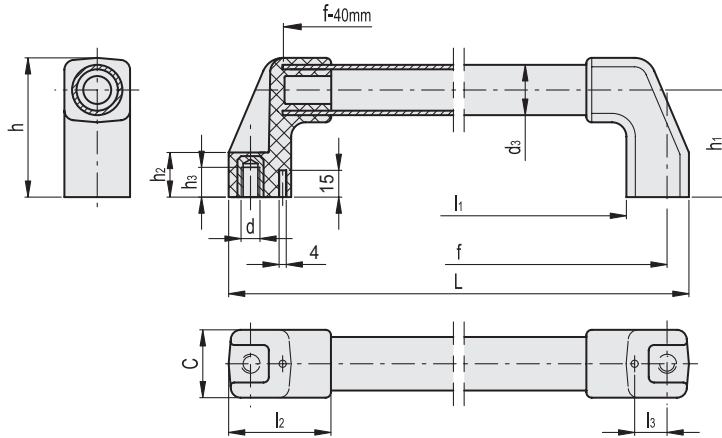
# Load at breakage.



Lift & Pull handles



M.1043-BM-EP  
M.1043-BM-AN  
M.1043-BM-SST



M.1043-BM-EP

M.1043-BM-AN

Code	Description	Code	Description	f±1	d	d	d1	d4	h3	h4	h5	l1	l3	d2	d3	F2 [N]*
37560	M.1043 BM/20-200-EP	37580	M.1043 BM/20-200-AN	13.5	58	45	18	9.5	162	47	13	20	28	1500	2000	128
37561	M.1043 BM/20-300-EP	37581	M.1043 BM/20-300-AN	13.5	58	45	18	10	262	47	13	20	28	1500	2000	140
37562	M.1043 BM/20-350-EP	37582	M.1043 BM/20-350-AN	13.5	58	45	18	10	312	47	13	20	28	1400	1800	152
37563	M.1043 BM/20-400-EP	37583	M.1043 BM/20-400-AN	13.5	58	45	18	10	362	47	13	20	28	1200	1600	163
37565	M.1043 BM/20-500-EP	37585	M.1043 BM/20-500-AN	13.5	58	45	18	10	462	47	13	20	28	1000	1200	185
37567	M.1043 BM/20-600-EP	37587	M.1043 BM/20-600-AN	13.5	58	45	18	10	562	47	13	20	28	800	1000	210
37569	M.1043 BM/20-700-EP	37589	M.1043 BM/20-700-AN	13.5	58	45	18	10	662	47	13	20	28	600	900	232
37570	M.1043 BM/30-200-EP	37590	M.1043 BM/30-200-AN	16	78	60	25	15	154	57	18	30	38	3000	3900	233
37571	M.1043 BM/30-300-EP	37591	M.1043 BM/30-300-AN	16	78	60	25	17	254	57	18	30	38	3000	3900	255
37572	M.1043 BM/30-350-EP	37592	M.1043 BM/30-350-AN	16	78	60	25	17	304	57	18	30	38	2600	3500	277
37573	M.1043 BM/30-400-EP	37593	M.1043 BM/30-400-AN	16	78	60	25	17	354	57	18	30	38	2200	3300	295
37575	M.1043 BM/30-500-EP	37595	M.1043 BM/30-500-AN	16	78	60	25	17	454	57	18	30	38	1800	2400	337
37577	M.1043 BM/30-600-EP	37597	M.1043 BM/30-600-AN	16	78	60	25	17	554	57	18	30	38	1600	2000	378
37579	M.1043 BM/30-700-EP	37599	M.1043 BM/30-700-AN	16	78	60	25	17	654	57	18	30	38	1300	1800	417

M.1043-BM-SST



Code	Description	f±1	L	d	d1	h	h1	h2	h3	l1	l2	l3	d3	C	F2 [N]*	F2 [N]#	⚖️
37599	M.1043 BM/20-200-SST	200	220	8.5	13.5	58	45	18	9.5	162	47	13	20	28	1500	2000	128
37600	M.1043 BM/20-300-SST	300	320	M8	13.5	58	45	18	10	262	47	13	20	28	3000	4500	142
37602	M.1043 BM/20-350-SST	350	370	M8	13.5	58	45	18	10	312	47	13	20	28	2500	4000	154
37603	M.1043 BM/20-400-SST	400	420	M8	13.5	58	45	18	10	362	47	13	20	28	2000	3500	166
37605	M.1043 BM/20-500-SST	500	520	M8	13.5	58	45	18	10	462	47	13	20	28	1600	2500	190
37607	M.1043 BM/20-600-SST	600	620	M8	13.5	58	45	18	10	562	47	13	20	28	1100	1800	215
37609	M.1043 BM/20-700-SST	700	720	M8	13.5	58	45	18	10	662	47	13	20	28	900	1400	240
37610	M.1043 BM/30-200-SST	200	224	10.5	16	78	60	25	15	154	57	18	30	38	3000	3900	233
37611	M.1043 BM/30-300-SST	300	324	M10	16	78	60	25	17	254	57	18	30	38	4200	5500	258
37612	M.1043 BM/30-350-SST	350	374	M10	16	78	60	25	17	304	57	18	30	38	4000	5250	282
37613	M.1043 BM/30-400-SST	400	424	M10	16	78	60	25	17	354	57	18	30	38	3800	5000	302
37615	M.1043 BM/30-500-SST	500	524	M10	16	78	60	25	17	454	57	18	30	38	3500	4500	343
37617	M.1043 BM/30-600-SST	600	624	M10	16	78	60	25	17	554	57	18	30	38	2800	4000	385
37619	M.1043 BM/30-700-SST	700	724	M10	16	78	60	25	17	654	57	18	30	38	2250	3500	425

\* Maximum working load  
# Load at breakage.