

3 Type

- B** without rest position
- C** with rest position

1 **2**

| d ₁ Plunger h6 | l ₁ | l ₂ Stroke | l ₃ | b | d ₂ | d ₃ | d ₄ | k | l ₄ | l ₅ | l ₆ | l ₇ | l ₈ | | l ₉ | Spring load in N ≈ | |
|---------------------------------|----------------|--------------------------|----------------|----|----------------|----------------|----------------|----|----------------|----------------|----------------|----------------|----------------|------|----------------|--------------------|-----|
| | | | | | | | | | | | | | min. | max. | | initial | end |
| 6 | 18 | 9 | 9 | 13 | 23 | 4,3 | 34 | 23 | 45 | 6 | 25 | 7 | 9 | 10 | 17,5 | 6 | 25 |
| 6 | 24 | 9 | 15 | 13 | 23 | 4,3 | 34 | 23 | 45 | 6 | 25 | 7 | 15 | 16 | 23,5 | 6 | 25 |
| 8 | 20 | 10,6 | 9,4 | 16 | 28 | 5,3 | 38 | 26 | 51 | 8 | 27 | 9 | 9,4 | 10 | 19,5 | 8,5 | 28 |
| 8 | 26 | 10,6 | 15,4 | 16 | 28 | 5,3 | 38 | 26 | 51 | 8 | 27 | 9 | 15,4 | 16 | 25,5 | 8,5 | 28 |
| 10 | 24 | 12,6 | 11,4 | 16 | 28 | 5,3 | 38 | 26 | 51 | 8 | 27 | 11 | 11,4 | 12 | 23,5 | 11,5 | 40 |
| 10 | 32 | 12,6 | 19,4 | 16 | 28 | 5,3 | 38 | 26 | 51 | 8 | 27 | 11 | 19,4 | 20 | 31,5 | 11,5 | 40 |

Specification

- Steel
 - blackened
 - Plunger hardened and ground
- Knob
 - Plastic (Polyamide PA)
 - black, matt
 - not removable
- ISO-Fundamental Tolerances → Page 1132
- Plastic characteristics → Page 1141
- RoHS compliant

Information

Indexing plungers GN 817.5 allow highly accurate locating, with the guidance made by the guide bushings DIN 172 / 179 with cylindrical bore. The actual indexing bore is fitted with guide bushings GN 172.1 / 179.1 with conical bores.

The conical shape of the indexing pin / the indexing bore makes the positioning virtually clearance-free and therefore highly precise.

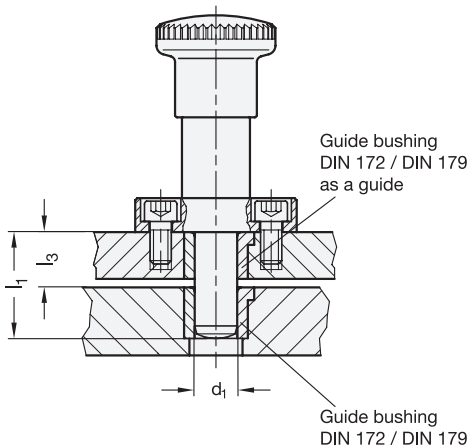
Type C is used for such applications where the plunger has to stay in its retracted position. To achieve this, the knob is rotated by 90° degrees after being retracted. A notch keeps the plunger in this position.

see also...

- Guide bushings DIN 172 / DIN 179 (cylindrical, with / without collar) → Page 574
- Guide bushings GN 172.1 / GN 179.1 (conical, with / without collar) → New products

| | |
|------------------------|-------------------------|
| How to order | 1 d ₁ |
| | 2 l ₁ |
| GN 817.5-8-20-B | 3 Type |

Construction and assembly instructions for indexing plungers GN 817.3 (Plungers cylindrical)



Two different plunger lengths l_1 are available for each indexing plunger diameter d_1 .

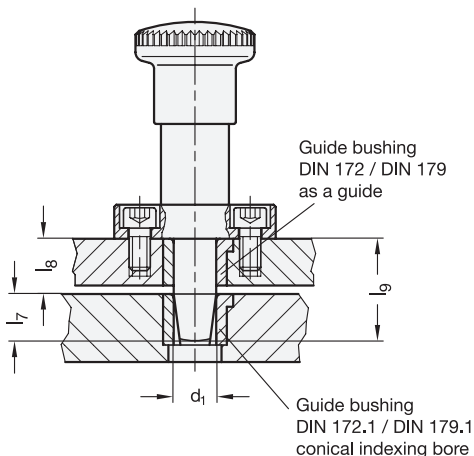
The length l_3 must ensure that the indexing pin fully disengages, bushing length and plate thickness plus any gap can then be selected within certain margins.

A selection of suitable guide bushings DIN 172 and DIN 179 is given s given below on → page ...

see also...

- Indexing plungers GN 817.3 (Plungers cylindrical)
→ New products

Construction and assembly instructions for indexing plungers GN 817.5 (Plungers conical)



The length l_7 is determined by the penetration depth of the indexing pin into the cone of the bush.

The length l_8 must ensure that the indexing pin fully disengages, bushing length and plate thickness plus any gap can then be selected within certain margins.

If engaged, the pin must have a minimum remaining stroke of 0,5 mm to make sure that the conical section of the pin is located without clearance in the cone of the guide bushing.

Two different plunger lengths l_1 are available for each indexing plunger diameter d_1 (see product table).

For a safe remaining stroke length: $l_8 = l_1 - 0,5 \text{ mm}$

A selection of suitable guide bushings DIN 172 / DIN 179 with cylindrical bore and guide bushings GN 172.1 / GN 179.1 with conical bore is given below on → page ...

see also...

- Indexing plungers GN 817.5 (Plungers conical)
→ New products