

GN 722.3

Spring latches

RoHS

• Guide

Steel precision cast.

- Version **ZB**: zinc plated, blue passivated.

- Version **SW**: zinc plated, epoxy resin coating, RAL 9005 black matte finish.

• Latch

Steel precision cast, zinc plated, blue passivated.

• Plunger

Steel, zinc plated, blue passivated.

Suggested matching hole with tolerance $+0.1/+0.3$.

• Standard versions available

- Type **L**: indexing curve on the left side.

- Type **R**: indexing curve on the right side.

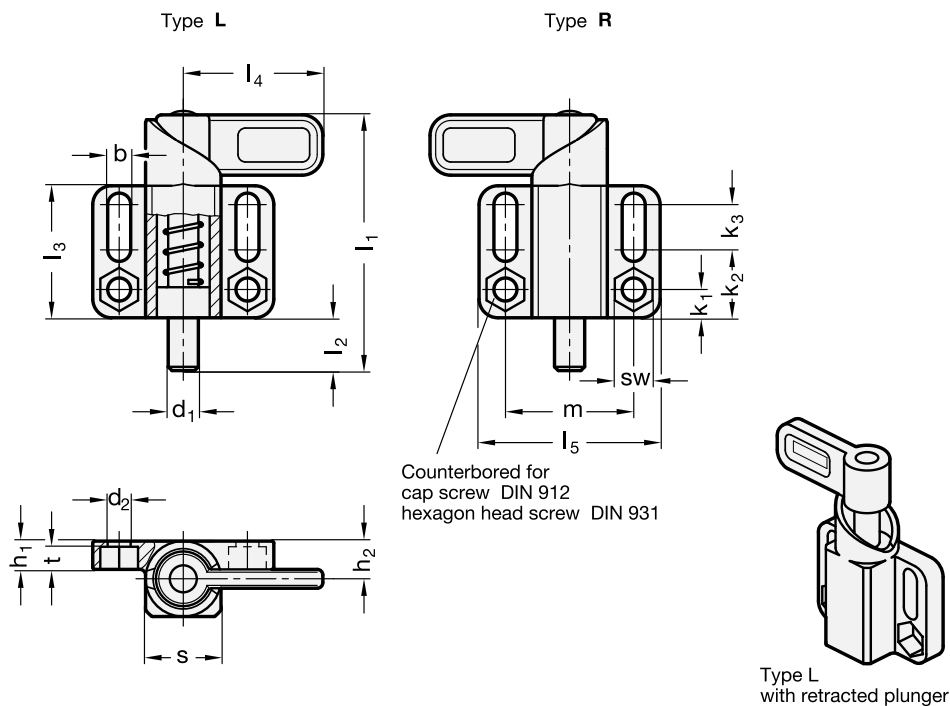


Features and applications

Spring latches GN 722.3 are used when the indexing pin is temporarily not allowed to protrude. The indexing pin retracts by turning the latch by 180°. A lock notch will hold the latch in both positions.

Spring latches GN 722.3 are designed for use in steel construction or in locksmith shops where less precise positioning / locking is normally required.

The dimensional tolerances are therefore chosen to ensure that functional safety is guaranteed under dirt exposure and that cost-effective production methods are used.



Standard Elements	Main dimensions																Spring pressure in N \approx		\triangle/\triangle g	
	Description	$d_1^{-0.05}$ -0.25	s	b +0.3	d2 +0.2	h1	h2	k1	k2	k3	l1 \approx	l2	l3	l4	l5	m	A/F	t		Preload
GN 722.3-8-20-L*	8	20	6.1	6.1	7.5	10	7.5	18	12	68	14	35	37	48	34	10	6.1	16	55	178
GN 722.3-8-20-R*	8	20	6.1	6.1	7.5	10	7.5	18	12	68	14	35	37	48	34	10	6.1	16	55	178
GN 722.3-10-20-L*	10	20	6.1	6.1	7.5	10	7.5	18	12	68	14	35	37	48	34	10	6.1	16	55	180
GN 722.3-10-20-R*	10	20	6.1	6.1	7.5	10	7.5	18	12	68	14	35	37	48	34	10	6.1	16	55	180
GN 722.3-12-20-L*	12	20	6.1	6.1	7.5	10	7.5	18	12	68	14	35	37	48	34	10	6.1	16	55	180
GN 722.3-12-20-R*	12	20	6.1	6.1	7.5	10	7.5	18	12	68	14	35	37	48	34	10	6.1	16	55	180
GN 722.3-14-20-L*	14	20	6.1	6.1	7.5	10	7.5	18	12	68	14	35	37	48	34	10	6.1	16	55	200
GN 722.3-14-20-R*	14	20	6.1	6.1	7.5	10	7.5	18	12	68	14	35	37	48	34	10	6.1	16	55	200

* Complete the description of the standard item needed by adding the index of the material of the plunger: ZB (zinc-plated) or SW (black textured finish).