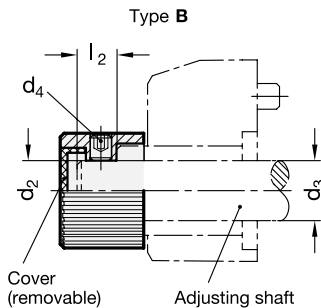


3 Type

A Shaft-Ø $d_2 <$ Bore-Ø d_3

B Shaft-Ø $d_2 =$ Bore-Ø d_3



1

2

d_1	d_2 H8 Bore B of the control knob = Shaft-Ø						d_3 Bore-Ø of the position indicator	d_4 Socket set screw with internal hexagon	l_1	l_2 Length of the protruding shaft		for position indicator
	Type A			Type B						min.	max.	
22	B 6	B 8	-	-	-	B 10	10	M 4	15,5	4,5	9,6	GN 955
27	B 6	B 8	B 10	B 12	-	B 14	14	M 5	19,5	6	11,3	GN 954 / GN 9054
42	B 10	B 12	B 14	B 15	B 16	B 20	20	M 6	24	6,5	15	GN 953 / GN 9053

Specification

- Aluminium anodized, black
- Stainless Steel-Socket set screw DIN 916 with internal hexagon and serrated point
- Hub cover cap Plastic, light grey
- ISO-Fundamental Tolerances → Page 323
- RoHS compliant

Information

Control knobs GN 957 are used in connection with position indicators. These control knobs offer a simple solution when the assembly requires manual fine adjustment for the application for which it has been designed.

The design of this knob adapts it to the diameter of the adjustment shaft, so that no adapter bushings GN 952.1 are needed.

see also...

- Position indicators GN 954 → Main Catalogue Page 390
- Position indicators GN 953 → Main Catalogue Page 388

How to order

GN957-27-B8-A

- 1** d_1
- 2** d_2
- 3** Type