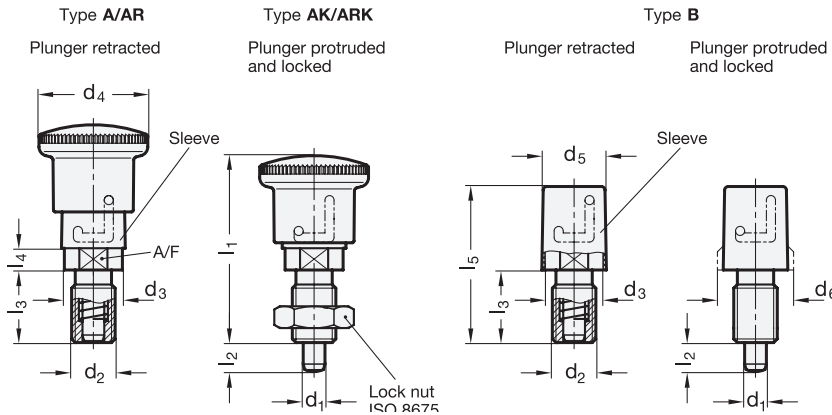


Range extended!



- 3 Type**
- A** with knob, sleeve black, without lock nut
  - AK** with knob, sleeve black, with lock nut
  - AR** with knob, sleeve red, without lock nut
  - ARK** with knob, sleeve red, with lock nut
  - B** with key, sleeve black, without lock nut
  - BK** with key, sleeve black, with lock nut

d <sub>1</sub> Plunger Bore	d <sub>2</sub>	d <sub>3</sub>	d <sub>4</sub>	d <sub>5</sub>	d <sub>6</sub>	l <sub>1</sub> ≈	l <sub>2</sub>	l <sub>3</sub>	l <sub>4</sub> ≈	l <sub>5</sub>	A/F	Spring load in N ≈	
												initial	end
6	M 12 x 1,5	16	28	17	-	51,5	8	20	6	43	14	12	27
8	M 16 x 1,5	18	28	17	20	54,5	10	22	6	48	16	12	35

**Specification**

- Threaded body  
Steel zinc plated, blue passivated
- Plunger  
Stainless Steel AISI 303
- Spring  
Stainless Steel AISI 301
- Knob  
Plastic (Polyamide PA)  
- black, matt  
- not removable
- Sleeve  
Plastic (Polyamide PA)  
- black, matt or red  
- not removable
- *Stainless Steel characteristics* → Page 334
- *Plastic characteristics* → Page 331
- **RoHS compliant**

**Accessory**

- Keys GN 816.1-10  
Plastic (Polyamide PA)  
(Locking plungers Ø 6 and Ø 8 have the same keys)

**Information**

If not operated, the plunger of the locking plungers GN 816.1 is retracted. To move out, move against the spring force and hold in the end position by turning by 90°.

The shape of the cam curve secures the plunger against accidental operation.

When operating the button (Type AR / ARK), the visible **red** covering sleeve indicates the locking status: Indexing pin does **not** protrude.

For the execution with operation with key (Type B / BK) a key is required to move the plunger. In this execution, a cover sleeve provides additional security and safety from unauthorized removal of the locking plunger. The cover sleeve also provides additional protection against malfunction caused by dirt.

see also...

- *Range of indexing plungers* → Main Catalogue Page 402/411
- *Distance bushings GN 609.5 (to limit the thread length)*  
→ Main Catalogue Page 450
- *Mounting blocks GN 412.1* → Main Catalogue Page 452
- *Positioning bushings GN 412.2* → Main Catalogue Page 454
- *Flat hexagonal nuts GN 909 / GN 909.5* → Main Catalogue Page 451

Locking plungers	1	d <sub>1</sub>
GN816.1-6-M12x1,5-B	2	d <sub>2</sub>
	3	Type



**Version with key (Type B / Type BK)**

**Assembly instruction**

