

3 Type

- M** Cover with indicator point
- N** Cover plain

1

2

d ₁	d ₂ H7 Bore		d ₃	d ₄	d ₅	d ₆	h ₁	h ₂	h ₃	h ₄ ≈	Length l
32	B 10	-	25	23	18	8	21	15	4,2	43	84
40	B 10	B 12	32	30	21	9	25	19	4,0	54	106
50	B 14	B 16	40	37,5	23	11	28	22	3,8	63	130

Specification

- Steel blackened
- Cover Plastic, light grey
- Cylindrical knobs GN 519 Plastic, Duroplast black, shiny finish
- Cross holes GN 110 → Page 1127
- Keyway P9 DIN 6885 → Page 1124
- ISO Fundamental Tolerances → Page 1132
- RoHS compliant

On request

- Control lever versions of the assembly examples

Information

The cover hides fasteners (see assembly instructions) and provides a printing facility for any symbol or logo.

On assembly, the cover is pushed in by hand and can be removed with a screw driver via a suitable slot.

Control levers GN 750 can also be supplied as standard with:

- Square DIN 79 **V** + Bore-Ø
- Keyway DIN 6885 **K** + Bore-Ø

How to order

GN 750-32-B10-N

- 1** d₁
- 2** d₂
- 3** Type



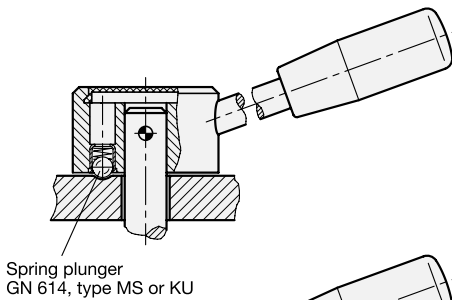
1.1
1.2
1.3
1.4
1.5
1.6
1.7
1.8
1.9

Assembly examples

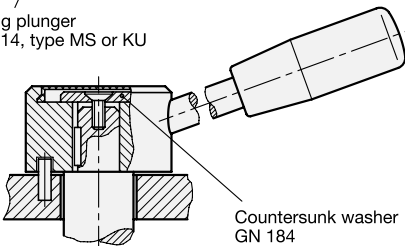
Control lever GN 750 with spring-loaded ball, GN 614 (page 490), version brass (MS) or plastic (KU), fitted to the shaft with a dowel pin.

The spring-loaded ball provides a simple indexing assembly, the location indent can be spotted through the control lever hub.

The shaft end and the screw of the indexing ball are hidden by the plastic cover.



Spring plunger
GN 614, type MS or KU



Countersunk washer
GN 184

Control lever GN 750 with keyway and countersunk washer GN 184 (page 542) for positive lateral location and with a radial slot and dowel pin providing angle limitations.