

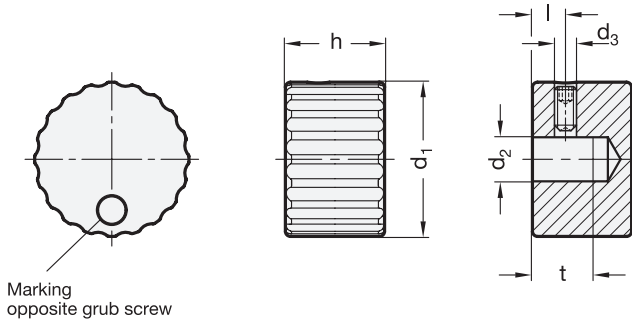


ROSLÖTTEN
Rost
frei

Inox
Stainless
Steel

3 Type

- N** without indicator point
- M** with indicator point



Marking
opposite grub screw

1 d ₁	2 d ₂ H8 Bore		d ₃	h	Length l	t min.
24	B 5	B 6	M 4	16	4	10
28	B 6	B 8	M 4	18	4	11

Specification

- Stainless Steel AISI 304
- matt shot-blasted **MT**
- Indicator point (Type M)
engraved with laser precision
- Stainless Steel-Grub screw DIN 916
with internal hexagon and serrated point
- RoHS compliant

4

Information

see also...

- *Stainless Steel-Knurled nuts GN 536* → Page 321
- *Clamping elements GN 826 (for adjustable spindles)* → New products

How to order

GN436-24-B6-N-MT

1	d ₁
2	d ₂
3	Type
4	Finish