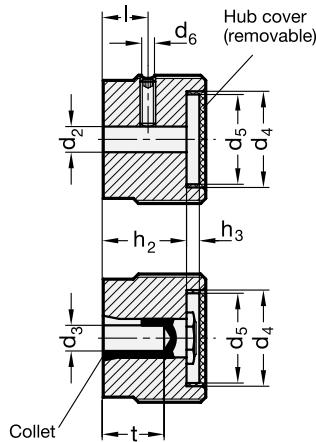


Arrow, resp. "zero"
(in case of graduation)
opposite grub screw



3 Type

- A** with arrow
- B** neutral, without indicator point or scale
- S** with scale 0...9
20 graduations

4 Identification No.

- 1** with grub screw
- 2** with collet

1

2

2

d ₁	d ₂ H8 Bore		d ₃ Collet	d ₄	d ₅	d ₆	d ₇	h ₁	h ₂	h ₃	h ₄	l	t
22	B 5	-	-	16	14	M 4	20	22	16	4,3	8	12,5	-
27	B 6	-	Z 6	20	18	M 4	25	26	20	4,3	9	14	14
34	B 6	B 8	Z 8	25	23	M 5	32	30	24	4,2	10	15	17
42	B 8	B 10	Z 10	32	30	M 5	40	34	28	4	11	16	20

Specification

- Aluminium anodized, black
- Scale (Type S) and arrow (Type A) white, engraved with laser precision
- Cover Plastic, light grey
- Collet / hexagon nut Brass
- Stainless Steel-Grub screw DIN 916 with internal hexagon and serrated point
- ISO-Fundamental Tolerances → Page 1132
- RoHS compliant

On request

- special graduations see „How to order Graduations“ → Page 337

Information

The light grey cover of the control knobs GN 726.1 shrouds the fixing components as well as the shaft end. The cover also lends itself for a logo or other symbols.

The collet version permits a simple adjustment of the types with scale or arrow.

Scale and arrow on the control knobs are indelibly marked and easily legible.

Besides the standard scale (Type S) the control knobs can be supplied with any type of graduation.

Regarding design, numbering run, numbering position and numbering sequence of the scale please see the layout for scale knobs on the order sheet „How to order Graduations“ → Page 337

see also...

- Clamping elements GN 826 (for adjustable spindles) → New products

How to order

GN 726.1-42-B10-A-1

1	d ₁
2	d ₂ (d ₃)
3	Type
4	Identification No.