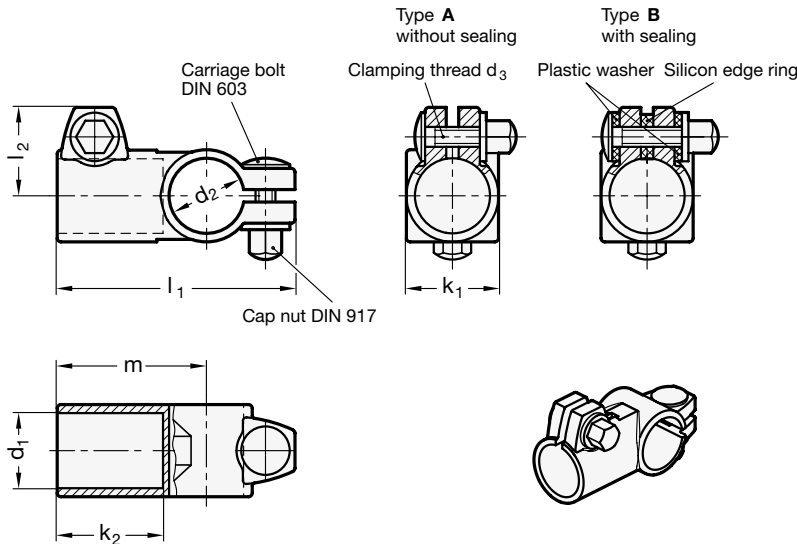




 Rostfrei
 Inox
 Stainless
 Steel

4 Type

- A** without sealing
B with sealing



1

2

3

d ₁ Bore B	d ₂ Bore B	k ₁ Clamping length	d ₃ Clamping thread	k ₂	l ₁	l ₂	m
B 30	B 30	37	M 8	42	96	35	60

Specification

- Stainless Steel
 - AISI CF-8
 - matt shot-blasted
- Clamping bores mechanically machined
- Carriage bolt DIN 603 Stainless Steel A2
- Cap nuts DIN 917 Stainless Steel A2
- Sealings
 - Washers Plastic (Polyacetal POM)
 - Edge ring Silicon, 40 ... 60 Shore A
- Stainless Steel characteristics → Page 334
- RoHS compliant

Information

The clamping bores of the Stainless Steel-T-angle connector clamps GN 192.5 are mechanically machined and designed for construction tubings GN 990 or DIN 2391, DIN 2395 and DIN 2462 respectively.

The shape of the clamping screws / nuts prevents the formation of wetness due to dammed-up water. The designs with sealing (Type B) also seals bore holes and threads.

see also...

- Stainless Steel-Construction tubes GN 990
→ Main Catalogue Page 1027
- T-angle connector clamps GN 192 (Bore-Ø B12 ... B20)
→ Main Catalogue Page 996
- Stainless Steel-Two-way connector clamps GN 132.5 → Page 286
- Stainless Steel-Flanged connector clamps GN 146.5 → Page 288
- Stainless Steel-Base plate connector clamps GN 163.5 → Page 289

How to order

1	d ₁
2	d ₂
3	k ₁
4	Type

GN 192.5-B30-B30-37-A