

Three-lobe knobs



• Material

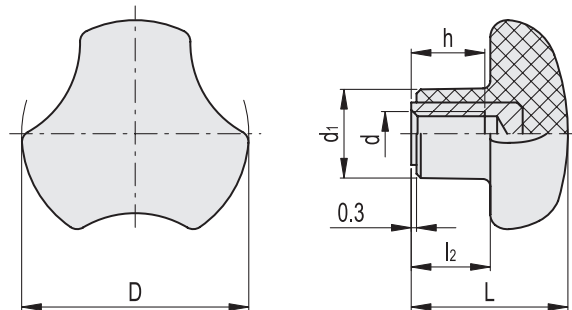
Glass-fibre reinforced polyamide based (PA) technopolymer, white colour similar to RAL 9002, matte finish.

• Standard execution

AISI 304 stainless steel boss, threaded blind hole.

Features and applications

The shape characterised by three ample lobes is particularly ergonomic also for smaller knobs, ensuring an effective grip even with work gloves. The design without rear recesses, generally suitable for reducing thickness, prevents unhealthy residues from depositing, ensuring maximum easy cleaning. Particularly suitable for applications on machines and equipment whose parts must be frequently cleaned by using water jets or steam.



Code	Description	D	d _{6H}	L	d ₁	l ₂	h	⚖️
151752	VTT.25-SST-M5 CLEAN	25	M5	20	12	10	10	9
151762	VTT.32-SST-M6 CLEAN	32	M6	23	14	11.5	10	19
151772	VTT.40-SST-M8 CLEAN	40	M8	27	16	13.5	13	24
151782	VTT.50-SST-M10 CLEAN	50	M10	30	19	15	17	37