

Solid handwheels



Material

High-strength, reinforced phenolic based (PF) Duroplast, black colour, glossy finish.

Ring

Matte anodised aluminium.
(ELESA original design - Reg. U.S. Pat. & TM Off.)

Standard executions

- **VDN.FP-A**: without handle, black-oxide steel hub, H7 reamed hole.
- **VDN.FP+I-A**: with revolving handle I.301+x in Duroplast. Black-oxide steel hub, H7 reamed hole.
- **VDN.FP+IR-A**: with fold-away handle IR.407 in Duroplast. Black-oxide steel hub, H7 reamed hole.
- **VDN.FP+IRS-A**: with automatic fold-away safety handle "Fold-O-matic"® type IRS.820 in technopolymer. Black-oxide steel hub, H7 reamed hole.
- **VDN.FP**: without handle, black-oxide steel hub, not drilled.
- **VDN.FP-SST**: without handle, AISI 303 stainless steel hub, not drilled.
- **VDN.FP+I**: with revolving handle I.301+x in Duroplast. Black-oxide steel hub, not drilled.
- **VDN.FP+I-SST**: with revolving handle I.301+x-SST in Duroplast. AISI 303 stainless steel hub, not drilled.
- **VDN.FP+IR**: with fold-away handle IR.407 in Duroplast. Black-oxide steel hub, not drilled.

Accessories on request

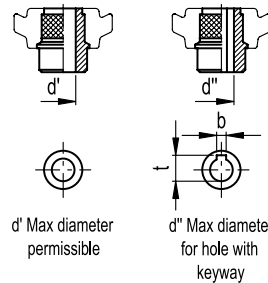
Axial retaining washer in black-oxide steel GN 184 or in AISI 303 stainless steel GN 184.5.

Special executions on request

- Hub with hole and keyway in compliance with DIN 6885/1 tolerance P9.
- To order the handwheel with keyway complete code and description with the index -K (i.e. 73710-10-K VDN.100 FP+I-A-10-K).
- Handwheels with incorporated balancing counterweights.

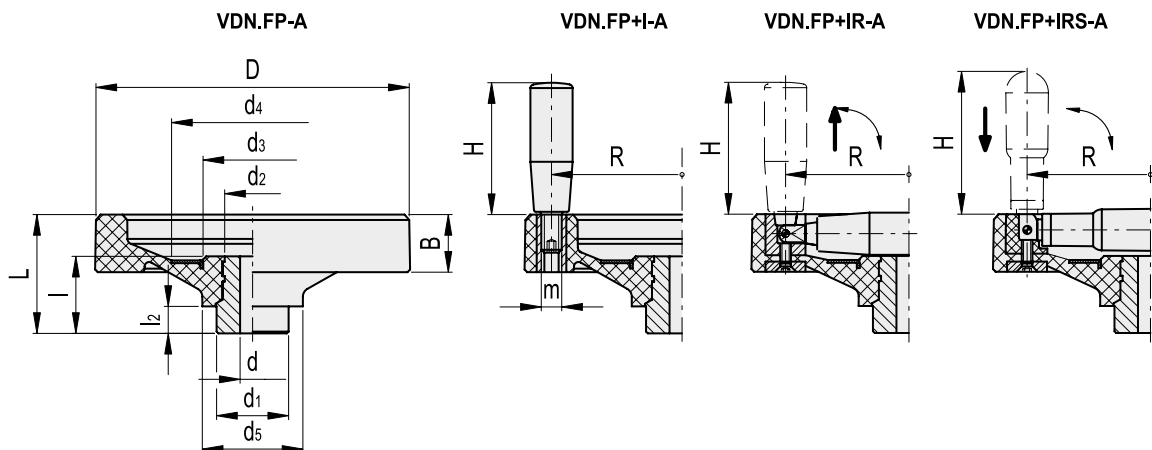
Ergonomy

The rim with internal rear scallops makes the grip and the manoeuvre of the handwheel easier.



d' Max diameter permissible








d'' Max diameter for hole with keyway




VDN.FP-A 

Code	Description	D	dH7	L	B	d ₁	d ₂	d ₃	d ₄	d ₅	l	l ₂	d'	d''	t	b	C# [Nm]	L# [J]	
73650-10	VDN.50 FP-A-10	50	10	22	12	16	16	-	25	26	19	9	12	10	11.4	3	55	3	50
73670-10	VDN.63 FP-A-10	63	10	28	13	20	20	-	31	28	24	10	13	11	12.8	4	75	4	100
73690-10	VDN.80 FP-A-10	80	10	31	14	20	18	28	43	30	28	10	13	11	12.8	4	120	5	120
73690-12	VDN.80 FP-A-12	80	12	31	14	20	18	28	43	30	28	10	13	11	12.8	4	120	5	115
73709-10	VDN.100 FP-A-10	100	10	40	15	24	22	35	54	39	36	12	16	13	15.3	5	150	6	324
73709-12	VDN.100 FP-A-12	100	12	40	15	24	22	35	54	39	36	12	16	13	15.3	5	150	6	322
73719-12	VDN.125 FP-A-12	125	12	44	15	32	26.5	44	70	46	38	15	20	16	18.3	5	300	8	493
73719-14	VDN.125 FP-A-14	125	14	44	15	32	26.5	44	70	46	38	15	20	16	18.3	5	300	8	490
73723-14	VDN.140 FP-A-14	140	14	46	19	32	26.5	44	70	48	38	15	20	16	18.3	5	350	10	430
73729-14	VDN.150 FP-A-14	150	14	49	18	32	26.5	44	70	48	38	15	20	16	18.3	5	400	14	662
73729-16	VDN.150 FP-A-16	150	16	49	18	32	26.5	44	70	48	38	15	20	16	18.3	5	400	14	659
73739-16	VDN.175 FP-A-16	175	16	54	19	40	33	55	90	56	43	15	26	22	24.8	6	500	16	991
73739-18	VDN.175 FP-A-18	175	18	54	19	40	33	55	90	56	43	15	26	22	24.8	6	500	16	985
73749-18	VDN.200 FP-A-18	200	18	58	21	40	33	55	90	60	43	15	26	22	24.8	6	600	18	1196
73749-20	VDN.200 FP-A-20	200	20	58	21	40	33	55	90	60	43	15	26	22	24.8	6	600	18	1192
73769-22	VDN.250 FP-A-22	249	22	65	25	49	40	66	110	70	44	15	35	27	30.3	8	1000	28	1982
73780-26	VDN.300 FP-A-26	301	26	75	25	58	58	94	148	82	56	18	42	38	41.3	10	1100	35	2685

VDN.FP+I-A

Code	Description	D	dH7	L	B	d ₁	d ₂	d ₃	d ₄	d ₅	l	l ₂	H	m	R	d'	d''	t	b	C# [Nm]	L# [J]	
 73651-10	VDN.50 FP+I-A-10	50	10	22	12	16	16	-	25	26	19	9	28	M6	19	12	10	11.4	3	55	3	63
 73671-10	VDN.63 FP+I-A-10	63	10	28	13	20	20	-	31	28	24	10	40	M6	24	13	11	12.8	4	75	4	127
 73691-10	VDN.80 FP+I-A-10	80	10	31	14	20	18	28	43	30	28	10	40	M6	32	13	11	12.8	4	120	5	157
 73691-12	VDN.80 FP+I-A-12	80	12	31	14	20	18	28	43	30	28	10	40	M6	32	13	11	12.8	4	120	5	147
73710-10	VDN.100 FP+I-A-10	100	10	46	21	24	20	35	54	39	33.5	12	50	M6	39	16	13	15.3	5	150	6	361
73710-12	VDN.100 FP+I-A-12	100	12	46	21	24	20	35	54	39	33.5	12	50	M6	39	16	13	15.3	5	150	6	358
73720-12	VDN.125 FP+I-A-12	125	12	57	28	32	26.5	44	70	46	38	15	65	M8	50	20	16	18.3	5	300	8	568
73720-14	VDN.125 FP+I-A-14	125	14	57	28	32	26.5	44	70	46	38	15	65	M8	50	20	16	18.3	5	300	8	565
 73724-14	VDN.140 FP+I-A-14	140	14	55	28	32	26.5	44	70	48	38	15	65	M8	58	20	16	18.3	5	350	10	575
73730-14	VDN.150 FP+I-A-14	150	14	61	30	32	26.5	50	80	48	38	15	65	M8	62	20	16	18.3	5	400	14	737
73730-16	VDN.150 FP+I-A-16	150	16	61	30	32	26.5	50	80	48	38	15	65	M8	62	20	16	18.3	5	400	14	734
73740-16	VDN.175 FP+I-A-16	175	16	66	32	40	33	55	90	56	43	15	80	M10	72.5	26	22	24.8	6	500	16	1089
73740-18	VDN.175 FP+I-A-18	175	18	66	32	40	33	55	90	56	43	15	80	M10	72.5	26	22	24.3	6	500	16	1087
73750-18	VDN.200 FP+I-A-18	200	18	68	32	40	33	55	90	60	43	15	90	M10	82	26	22	24.8	6	600	18	1314
73750-20	VDN.200 FP+I-A-20	200	20	68	32	40	33	55	90	60	43	15	90	M10	82	26	22	24.8	6	600	18	1308
73760-20	VDN.225 FP+I-A-20	225	20	71	33	49	40	66	110	66	44.5	15	90	M10	94	34	27	30.3	8	900	25	1708
73760-22	VDN.225 FP+I-A-22	225	22	71	33	49	40	66	110	66	44.5	15	90	M10	94	34	27	30.3	8	900	25	1702
73770-22	VDN.250 FP+I-A-22	249	22	76	36	49	40	66	110	70	44.5	15	90	M10	106	35	27	30.3	8	1000	28	2100
73770-24	VDN.250 FP+I-A-24	249	24	76	36	49	40	66	110	70	44.5	15	90	M10	106	35	27	30.3	8	1000	28	2097
 73781-26	VDN.300 FP+I-A-26	301	26	87	36	58	58	94	148	82	56	18	90	M10	132	42	38	41.3	10	1100	35	2803

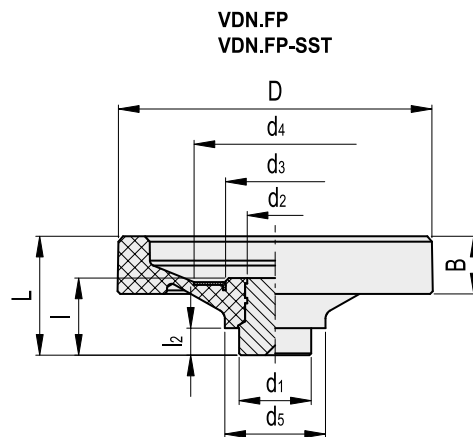
VDN.FP+IR-A

Code	Description	D	dH7	L	B	d ₁	d ₂	d ₃	d ₄	d ₅	l	l ₂	H	R	d'	d''	t	b	C# [Nm]	L# [J]	
73711-10	VDN.100 FP+IR-A-10	100	10	51	26	24	20	35	54	39	33.5	12	56	37	16	13	15.3	5	150	6	427
73721-12	VDN.125 FP+IR-A-12	125	12	57	28	32	26.5	44	70	46	38	15	56	48	20	16	18.3	5	300	8	596
73731-14	VDN.150 FP+IR-A-14	150	14	61	30	32	26.5	50	80	48	38	15	65	57	20	16	18.3	5	400	14	803
73741-16	VDN.175 FP+IR-A-16	175	16	66	32	40	33	55	90	56	43	15	80	68	26	22	24.8	6	500	16	1147
73751-20	VDN.200 FP+IR-A-20	200	20	68	32	40	33	55	90	60	43	15	90	76.5	26	22	24.8	6	600	18	1462
73761-20	VDN.225 FP+IR-A-20	225	20	71	33	49	40	66	110	66	44.5	15	90	88	34	27	30.3	8	900	25	1856
73771-22	VDN.250 FP+IR-A-22	249	22	76	36	49	40	66	110	70	44.5	15	90	100	35	27	30.3	8	1000	28	2248
 73782-26	VDN.300 FP+IR-A-26	301	26	87	36	58	58	94	148	82	56	18	90	124	42	38	41.3	10	1100	35	3212

VDN.FP+IRS-A

Code	Description	D	dH7	L	B	d ₁	d ₂	d ₃	d ₄	d ₅	l	l ₂	H	R	d'	d''	t	b	C# [Nm]	L# [J]	
73732-14	VDN.150 FP+IRS-A-14	150	14	61	30	32	26.5	50	80	48	38	15	65	57	20	16	18.3	5	400	14	733
73742-16	VDN.175 FP+IRS-A-16	175	16	66	32	40	33	55	90	56	43	15	80	68	26	22	24.8	6	500	16	1053
73752-20	VDN.200 FP+IRS-A-20	200	20	68	32	40	33	55	90	60	43	15	90	74.5	26	22	24.8	6	600	18	1252
73762-20	VDN.225 FP+IRS-A-20	225	20	71	33	49	40	66	110	66	44.5	15	90	86	34	27	30.3	8	900	25	1646
73772-22	VDN.250 FP+IRS-A-22	249	22	76	36	49	40	66	110	70	44.5	15	90	98	35	27	30.3	8	1000	28	2038

For maximum applicable torque (C) and impact strength (L) see Technical data.



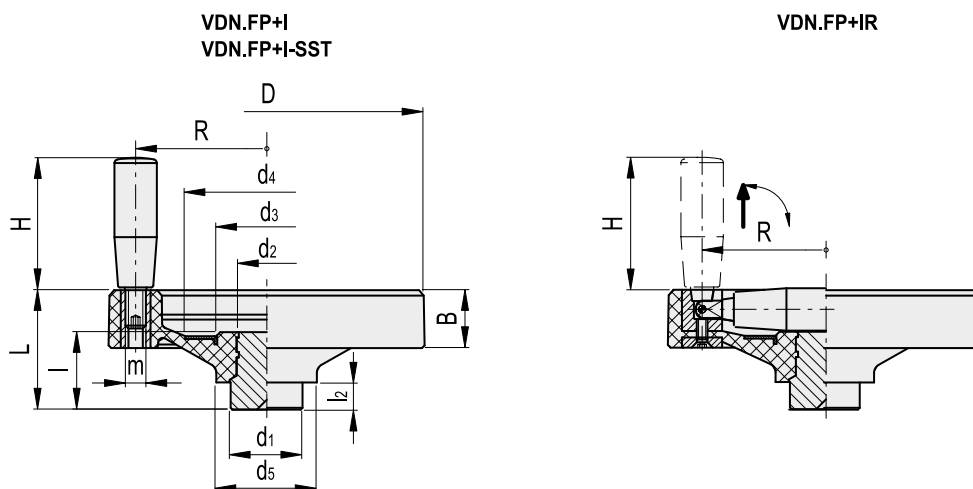
VDN.FP

Code	Description	D	L	B	d ₁	d ₂	d ₃	d ₄	d ₅	l	l ₂	d'	d''	t	b	C# [Nm]	L# [J]	
73650	VDN.50 FP	50	22	12	16	16	-	25	26	19	9	12	10	11.4	3	55	3	60
73670	VDN.63 FP	63	28	13	20	20	-	31	28	24	10	13	11	12.8	4	75	4	115
73690	VDN.80 FP	80	31	14	20	18	28	43	30	28	10	13	11	12.8	4	120	5	145
73709	VDN.100 FP	100	40	15	24	22	35	54	39	36	12	16	13	15.3	5	150	6	324
73719	VDN.125 FP	125	44	15	32	26.5	44	70	46	38	15	20	16	18.3	5	300	8	493
73723	VDN.140 FP	140	46	19	32	26.5	44	70	48	38	15	20	16	18.3	5	350	10	465
73729	VDN.150 FP	150	49	18	32	26.5	44	70	48	38	15	20	16	18.3	5	400	14	662
73739	VDN.175 FP	175	54	19	40	33	55	90	56	43	15	26	22	24.8	6	500	16	991
73749	VDN.200 FP	200	58	21	40	33	55	90	60	43	15	26	22	24.8	6	600	18	1196
73759	VDN.225 FP	225	63	23	49	40	66	110	66	44	15	34	27	30.3	8	900	25	1590
73769	VDN.250 FP	249	65	25	49	40	66	110	70	44	15	35	27	30.3	8	1000	28	1982
73780	VDN.300 FP	301	75	25	58	58	94	148	82	56	18	42	38	41.3	10	1100	35	2920
73790	VDN.350 FP	350	92	38	58	58	94	148	90	56	18	42	38	41.3	10	1200	36	3960

VDN.FP-SST

Code	Description	D	L	B	d ₁	d ₂	d ₃	d ₄	d ₅	l	l ₂	d'	d''	t	b	C# [Nm]	L# [J]	
73695	VDN.80 FP-SST	80	31	14	20	18	28	43	30	28	10	13	11	12.8	4	120	5	146
73713	VDN.100 FP-SST	100	40	15	24	22	35	54	39	36	12	16	13	15.3	5	150	6	325
73722	VDN.125 FP-SST	125	44	15	32	26.5	44	70	46	38	15	20	16	18.3	5	300	8	494
73733	VDN.150 FP-SST	150	49	18	32	26.5	44	70	48	38	15	20	16	18.3	5	400	14	663
73753	VDN.200 FP-SST	200	58	21	40	33	55	90	60	43	15	26	22	24.8	6	600	18	1197
73773	VDN.250 FP-SST	249	65	25	49	40	66	110	70	44	15	35	27	30.3	8	1000	28	1982
73785	VDN.300 FP-SST	301	75	25	58	58	94	148	82	56	18	42	38	41.3	10	1100	35	1591

For maximum applicable torque (C) and impact strength (L) see Technical data.



VDN.FP+I ⁽⁶⁾

Code	Description	D	L	B	d ₁	d ₂	d ₃	d ₄	d ₅	l	l ₂	H	m	R	d'	d''	t	b	C# [Nm]	L# [J]	
73651	VDN.50 FP+I	50	22	12	16	16	-	25	26	19	9	28	M6	19	12	10	11.4	3	55	3	88
73671	VDN.63 FP+I	63	28	13	20	20	-	31	28	24	10	40	M6	24	13	11	12.8	4	75	4	172
73691	VDN.80 FP+I	80	31	14	20	18	28	43	30	28	10	40	M6	32	13	11	12.8	4	120	5	207
73710	VDN.100 FP+I	100	46	21	24	20	35	54	39	33.5	12	50	M6	39	16	13	15.3	5	150	6	361
73720	VDN.125 FP+I	125	57	28	32	26.5	44	70	46	38	15	65	M8	50	20	16	18.3	5	300	8	568
73724	VDN.140 FP+I	140	55	28	32	26.5	44	70	48	38	15	65	M8	58	20	16	18.3	5	300	14	575
73730	VDN.150 FP+I	150	61	30	32	26.5	50	80	48	38	15	65	M8	62	20	16	18.3	5	400	14	737
73740	VDN.175 FP+I	175	66	32	40	33	55	90	56	43	15	80	M10	72.5	26	22	24.8	6	500	16	1089
73750	VDN.200 FP+I	200	68	32	40	33	55	90	60	43	15	90	M10	82	26	22	24.8	6	600	18	1314
73760	VDN.225 FP+I	225	71	33	49	40	66	110	66	44.5	15	90	M10	94	34	27	30.3	8	900	25	1708
73770	VDN.250 FP+I	249	76	36	49	40	66	110	70	44.5	15	90	M10	106	35	27	30.3	8	1000	28	2100
73781	VDN.300 FP+I	301	87	36	58	58	94	148	82	56	18	90	M10	132	42	38	41.3	10	1100	35	3138
73791	VDN.350 FP+I	350	92	38	58	58	94	148	90	56	18	102	M10	157	42	38	41.3	10	1200	36	4243

VDN.FP+I-SST ⁽⁶⁾

Code	Description	D	L	B	d ₁	d ₂	d ₃	d ₄	d ₅	l	l ₂	H	m	R	d'	d''	t	b	C# [Nm]	L# [J]	
73715	VDN.100 FP+I-SST	100	46	21	24	20	35	54	39	33.5	12	50	M6	39	16	13	15.3	5	150	6	361
73725	VDN.125 FP+I-SST	125	57	28	32	26.5	44	70	46	38	15	65	M8	50	20	16	18.3	5	300	8	568
73735	VDN.150 FP+I-SST	150	61	30	32	26.5	50	80	48	38	15	65	M8	62	20	16	18.3	5	400	14	737
73755	VDN.200 FP+I-SST	200	68	32	40	33	55	90	60	43	15	90	M10	82	26	22	24.8	6	600	18	1314
73775	VDN.250 FP+I-SST	249	76	36	49	40	66	110	70	44.5	15	90	M10	106	35	27	30.3	8	1000	28	2100
73786	VDN.300 FP+I-SST	301	87	36	58	58	94	148	82	56	18	90	M10	132	42	38	41.3	10	1100	35	3138

VDN.FP+IR ⁽⁶⁾

Code	Description	D	L	B	d ₁	d ₂	d ₃	d ₄	d ₅	l	l ₂	H	R	d'	d''	t	b	C# [Nm]	L# [J]	
73711	VDN.100 FP+IR	100	51	26	24	20	35	54	39	33.5	12	56	37	16	13	15.3	5	150	6	427
73721	VDN.125 FP+IR	125	57	28	32	26.5	44	70	46	38	15	56	48	20	16	18.3	5	300	8	596
73731	VDN.150 FP+IR	150	61	30	32	26.5	50	80	48	38	15	65	57	20	16	18.3	5	400	14	803
73741	VDN.175 FP+IR	175	66	32	40	33	55	90	56	43	15	80	68	26	22	24.8	6	500	16	1147
73751	VDN.200 FP+IR	200	68	32	40	33	55	90	60	43	15	90	76.5	26	22	24.8	6	600	18	1462
73761	VDN.225 FP+IR	225	71	33	49	40	66	110	66	44.5	15	90	88	34	27	30.3	8	900	25	1856
73771	VDN.250 FP+IR	249	76	36	49	40	66	110	70	44.5	15	90	100	35	27	30.3	8	1000	28	2248
73782	VDN.300 FP+IR	301	87	36	58	58	94	148	82	56	18	90	124	42	38	41.3	10	1100	35	3212

For maximum applicable torque (C) and impact strength (L) see Technical data.