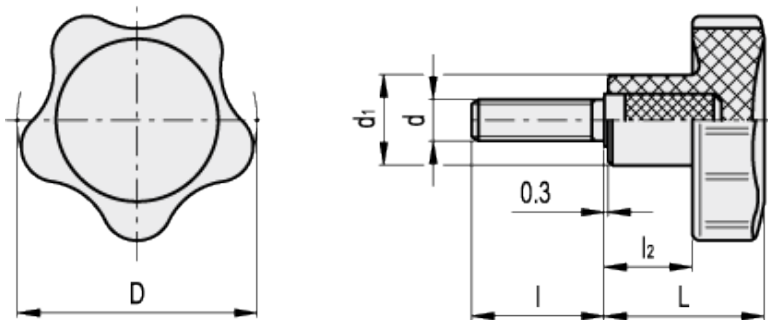


VC.692 p

Lobe knobs



ELESA Original design



technical informations

Material

Glass-fibre reinforced polyamide based (PA) technopolymer. Resistant to solvents, oils, greases and other chemical agents.

Colour

Black, matte finish.

Standard execution

Zinc-plated steel threaded stud, chamfered flat end according to UNI 947 : ISO 4753 (see [Technical Data](#)).

Features and applications

The exclusive five-lobe shape (ELESA original design) offers the operator's fingers a proper grip and prevents unhealthy residues from depositing thanks to its solid shape without cavities.

This knob is particularly suitable for applications on machines and equipment whose parts, for hygienic reasons, must be frequently cleaned also using water or steam jets.

Elesa Standards		Main dimensions				Threaded stud		Weight
Code	Description	D	L	d ₁	l ₂	d _{6g}	l	g
166131	VC.692/25 p-M4x6	25	20	12	10	M4	6	6

166132	VC.692/25 p-M4x10	25	20	12	10	M4	10	7
166141	VC.692/25 p-M5x10	25	20	12	10	M5	10	8
166142	VC.692/25 p-M5x16	25	20	12	10	M5	16	9
166143	VC.692/25 p-M5x20	25	20	12	10	M5	20	10
166151	VC.692/25 p-M6x10	25	20	12	10	M6	10	10
166152	VC.692/25 p-M6x16	25	20	12	10	M6	16	11
166153	VC.692/25 p-M6x20	25	20	12	10	M6	20	12
166154	VC.692/25 p-M6x25	25	20	12	10	M6	25	13
166155	VC.692/25 p-M6x30	25	20	12	10	M6	30	14
166156	VC.692/25 p-M6x35	25	20	12	10	M6	35	15
166242	VC.692/32 p-M6x16	32	22.5	14	12.5	M6	16	15
166243	VC.692/32 p-M6x20	32	22.5	14	12.5	M6	20	16
166244	VC.692/32 p-M6x25	32	22.5	14	12.5	M6	25	17
166245	VC.692/32 p-M6x30	32	22.5	14	12.5	M6	30	19
166246	VC.692/32 p-M6x35	32	22.5	14	12.5	M6	35	20
166247	VC.692/32 p-M6x40	32	22.5	14	12.5	M6	40	22
166252	VC.692/32 p-M8x16	32	22.5	14	12.5	M8	16	14
166253	VC.692/32 p-M8x20	32	22.5	14	12.5	M8	20	16
166254	VC.692/32 p-M8x25	32	22.5	14	12.5	M8	25	17
166255	VC.692/32 p-M8x30	32	22.5	14	12.5	M8	30	18
166256	VC.692/32 p-M8x35	32	22.5	14	12.5	M8	35	19
166350	VC.692/40 p-M6x10	40	26	15	14	M6	10	14
166351	VC.692/40 p-M6x16	40	26	15	14	M6	16	16
166352	VC.692/40 p-M6x20	40	26	15	14	M6	20	17
166353	VC.692/40 p-M6x25	40	26	15	14	M6	25	18
166354	VC.692/40 p-M6x30	40	26	15	14	M6	30	19
166356	VC.692/40 p-M6x40	40	26	15	14	M6	40	20
166361	VC.692/40 p-M8x16	40	26	15	14	M8	16	23
166362	VC.692/40 p-M8x20	40	26	15	14	M8	20	28
166363	VC.692/40 p-M8x25	40	26	15	14	M8	25	29
166364	VC.692/40 p-M8x30	40	26	15	14	M8	30	32
166365	VC.692/40 p-M8x35	40	26	15	14	M8	35	33
166366	VC.692/40 p-M8x40	40	26	15	14	M8	40	36
166367	VC.692/40 p-M8x50	40	26	15	14	M8	50	38
166368	VC.692/40 p-M8x60	40	26	15	14	M8	60	40
166369	VC.692/40 p-M8x70	40	26	15	14	M8	70	42
166431	VC.692/50 p-M8x16	50	31	18	17	M8	16	33
166432	VC.692/50 p-M8x20	50	31	18	17	M8	20	35
166433	VC.692/50 p-M8x25	50	31	18	17	M8	25	36
166434	VC.692/50 p-M8x30	50	31	18	17	M8	30	38
166436	VC.692/50 p-M8x40	50	31	18	17	M8	40	40
166437	VC.692/50 p-M8x45	50	31	18	17	M8	45	42
166438	VC.692/50 p-M8x50	50	31	18	17	M8	50	44
166439	VC.692/50 p-M8x60	50	31	18	17	M8	60	46

166481	VC.692/50 p-M10x20	50	31	18	17	M10	20	47
166483	VC.692/50 p-M10x30	50	31	18	17	M10	30	57
166485	VC.692/50 p-M10x40	50	31	18	17	M10	40	66
166532	VC.692/60 p-M10x20	60	36.5	21	21	M10	20	55
166533	VC.692/60 p-M10x25	60	36.5	21	21	M10	25	57
166534	VC.692/60 p-M10x30	60	36.5	21	21	M10	30	59
166536	VC.692/60 p-M10x40	60	36.5	21	21	M10	40	62
166538	VC.692/60 p-M10x50	60	36.5	21	21	M10	50	65
166570	VC.692/60 p-M12x25	60	36.5	21	21	M12	25	67
166571	VC.692/60 p-M12x30	60	36.5	21	21	M12	30	69
166573	VC.692/60 p-M12x40	60	36.5	21	21	M12	40	80
166575	VC.692/60 p-M12x50	60	36.5	21	21	M12	50	91
166576	VC.692/60 p-M12x60	60	36.5	21	21	M12	60	93



ELESA and GANTER models all rights reserved in accordance with the law. Always mention the source when reproducing our drawings.

STANDARD MACHINE ELEMENTS WORLDWIDE