

IZN-XX

ELESA original design

Knurled grip knobs for position indicators



- **Material**

Glass-fibre reinforced polyamide based (PA) technopolymer. Resistant to solvents, oils, greases and other chemical agents.

- **Colour**

Black, glossy finish.

- **Standard execution**

Black-oxide steel boss, H7 reamed hole, fitting to shaft by means of a supplied grub screw with hexagon socket and cup end UNI 5929-85.

Order information for indicator (to be ordered separately)

IZN-XX knurled grip knobs can be used with analogue and digital-analogue gravity indicators.

To choose the indicator see the table below for possible assembly with indicators.

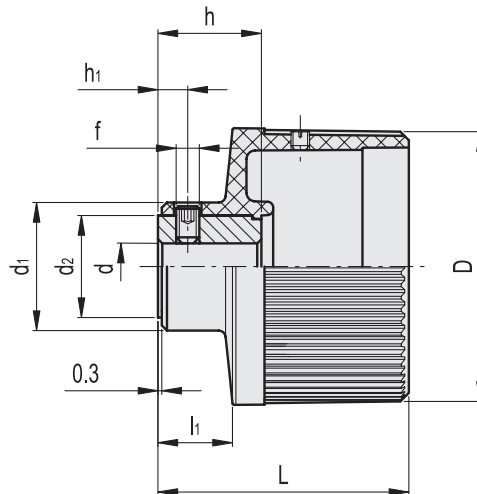
See also "Assembly instructions" for gravity indicators..

Accessories on request

Cover CP-XX for fitting instead of the indicator.



Application example with indicator



Code	Description	D	L	d _{H7}	h	d ₁	d ₂	f	h ₁	l ₁	⚖️	Handwheel/indicator combinations
CE.30101	IZN.60-GXX1 A-10	59	53	10	22	27	22	M5	6	15	110	GA01-GA11
CE.30201	IZN.80-GXX2 A-12	79	57	12	24	33	26	M5	6	17	190	GA02-GA12-GW12