

GA11 - GA12

ELESA original design

Gravity position indicators



- Case**
 Glass-fibre reinforced polyamide based (PA) technopolymer.
 Moulded-in spindle.
 Resistant to solvents, oils, greases and other chemical agents.
- Bezel**
 Technopolymer. Moulded over the window.
- Colour**
 Black, matte finish.
- Window**
 Transparent polyamide based (PA-T) technopolymer (practically unbreakable).
 Resistant to solvents, oils, greases and other chemical agents (avoid contact with alcohol during cleaning operations).
- Dial**
 Natural matte anodised aluminium.
 Clockwise or anti-clockwise graduation, black colour.
- Reading**
 The black pointer indicates the number of turns of the spindle from the start position (0); the red pointer indicates the fractions of turn.
 Ballrace rotation: maximum reading accuracy.
- Ratio**
 To choose the ratio see "Gravity position indicators introduction".



		Available ratios																				
GA11	2	4	5	6	8	10	12	15	16	20	24	30	36	40	48	50	60	72	100	120	-	-
GA12	2	4	5	6	8	10	12	15	16	20	24	30	36	40	48	50	60	72	100	120	150	200

Standard ratios
 Special ratios on request (min. 10 pcs.)

- IP protection**
 The ultrasonic welding of the window to the case guarantees the complete sealing with IP 67 protection class, see IEC 529.

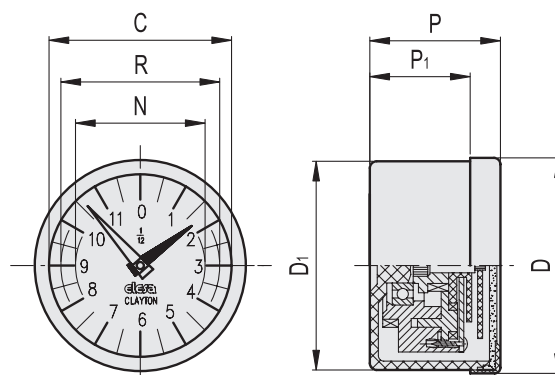
Features and applications

The knobs with integral gravity position indicator are suitable on spindles with horizontal or max 60° inclined axis.

To choose the handwheel see the table "Handwheels/knobs-possible assembly with indicators".

Special executions on request

- Special dial with logo or customized graduations
- Special ratios
- Liquid filled
- Single pointer



Code	Description	Ratio	D	P	D ₁	P ₁	C	R	N	⚖
CE.70021	GA11-0010-D	10	49.8	30	48.2	23	42	37	30	75
CE.70031	GA11-0012-D	12	49.8	30	48.2	23	42	37	30	75
CE.70051	GA11-0020-D	20	49.8	30	48.2	23	42	37	30	75
CE.70061	GA11-0024-D	24	49.8	30	48.2	23	42	37	30	75
CE.70069	GA11-0030-D	30	49.8	30	48.2	23	42	37	30	75
CE.70081	GA11-0040-D	40	49.8	30	48.2	23	42	37	30	75
CE.70301	GA12-0006-D	6	68.5	32	67.0	25	60	51	44	125
CE.70401	GA12-0010-D	10	68.5	32	67.0	25	60	51	44	125
CE.70501	GA12-0012-D	12	68.5	32	67.0	25	60	51	44	125
CE.70601	GA12-0020-D	20	68.5	32	67.0	25	60	51	44	125
CE.70701	GA12-0024-D	24	68.5	32	67.0	25	60	51	44	125
CE.70801	GA12-0030-D	30	68.5	32	67.0	25	60	51	44	125
CE.70901	GA12-0036-D	36	68.5	32	67.0	25	60	51	44	125
CE.70022	GA11-0010-S	10	49.8	30	48.2	23	42	37	30	75
CE.70032	GA11-0012-S	12	49.8	30	48.2	23	42	37	30	75
CE.70052	GA11-0020-S	20	49.8	30	48.2	23	42	37	30	75
CE.70062	GA11-0024-S	24	49.8	30	48.2	23	42	37	30	75
CE.70070	GA11-0030-S	30	49.8	30	48.2	23	42	37	30	75
CE.70082	GA11-0040-S	40	49.8	30	48.2	23	42	37	30	75
CE.70302	GA12-0006-S	6	68.5	32	67.0	25	60	51	44	125
CE.70402	GA12-0010-S	10	68.5	32	67.0	25	60	51	44	125
CE.70502	GA12-0012-S	12	68.5	32	67.0	25	60	51	44	125
CE.70602	GA12-0020-S	20	68.5	32	67.0	25	60	51	44	125
CE.70702	GA12-0024-S	24	68.5	32	67.0	25	60	51	44	125
CE.70802	GA12-0030-S	30	68.5	32	67.0	25	60	51	44	125
CE.70902	GA12-0036-S	36	68.5	32	67.0	25	60	51	44	125