

Steering handwheel with revolving handle for position indicators



Material

Glass-fibre reinforced polypropylene based (PP) technopolymer. Resistant to solvents, oils, greases and other chemical agents.

Colour

Grey-black, matte finish.

Revolving handle

Type IEL+x-SOFT in technopolymer coated with "soft-touch" thermoplastic elastomer (TPE), black colour, matte finish.

Standard execution

Black-oxide steel hub, H7 reamed hole.

Rear flange with internal crown gear wheel in acetal resin based (POM) technopolymer. Black-oxide steel screw and anchor pin.

Features and applications

This steering handwheel has been designed to be mounted on control shafts of machines or equipment and especially for guiding lift trucks and handling vehicles.

Ergonomy and design

The lowered profile of the steering handwheel makes it suitable for flush mounting on the control panel, thus reducing protruding parts to a minimum.

Order information for indicator (to be ordered separately)

The steering handwheel can be used with a position indicator type PA02, PA12 or PW12 to read steering positions.

See also "Assembly instructions" for positive drive indicators.

Accessories on request

- Axial retaining washer type GN 184.

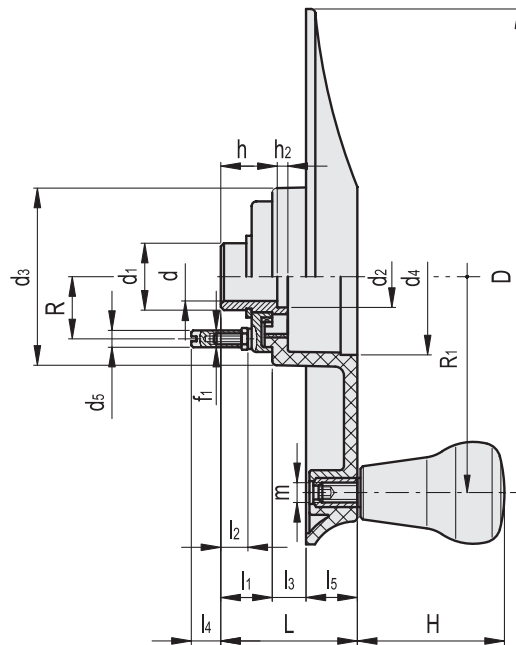
- Cover CP-XX for fitting instead of the indicator.

Special executions on request

EWW-XX steering handwheel is suitable also for using with gravity indicators.



Application example with indicator



Code	D	L	dH7	h	d1	d2	d3	d4	d5	f1	h2	l1	l2	l3	l4	l5	H	m	R	R1	⚖️
208141-C0	240	59	20	24	30	25.5	79	68.5	6	M4	4	21	13	15	13	23	65	M10	28.5	97	810