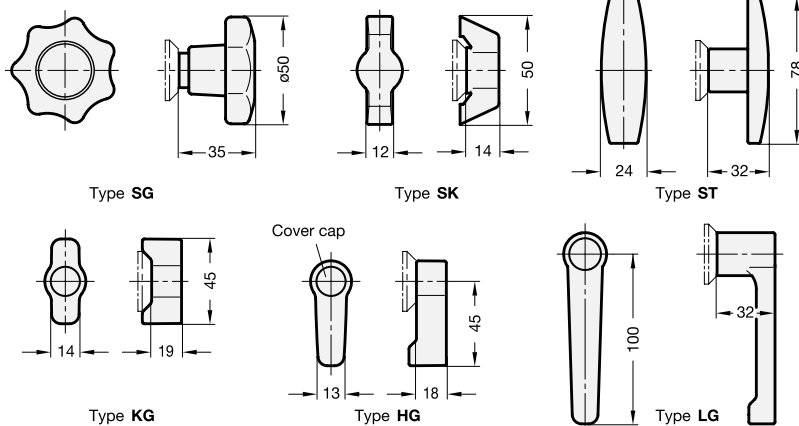


- 1** Type
- Operation
  - SG** with star knob
  - SK** with wrench
  - ST** with T-Handle
  - RG** with knurled knob (GN 7336)
  - KG** with wrench
  - HG** with lever
  - LG** with hand lever (only with locating ring in SW)



**2**

Latch distance A											d		h	
											Type SG, RG, KG, HG	Type SK, ST, LG	Type SG, RG, KG, HG	Type SK, ST, LG
4	8	13	16	20	24	28	32	36	40	45	28	32	4	6
6	10	14	18	22	26	30	34	38	42	50	28	32	4	6

**Specification**

- Lock housing  
Zinc die casting
- Locating ring  
- chrome plated (Standard) —  
- plastic coated black, RAL 9005, textured finish ● SW
- All other parts  
Steel zinc plated, blue passivated
- Operating handles  
Plastic (Polyamide PA) black, matt
- Cover cap (type RG, KG, HG, LG)  
light grey
- RoHS compliant

**3**

**Information**

Latches GN 115 lock by a turning operation limited to 90° which moves the locking behind the door frame. The bevels of the latch ease the closing of the door.

Latches with 22 different cranks cover a latch distance A from 4 to 50 mm.

Latches GN 115 are supplied with loosely enclosed locking.

see also...

- *Stainless Steel-Latches GN 115 (Operation with key) → Page 241*
- *Stainless Steel-Latches GN 115 → Page 240*
- *Mini-Latches GN 115.1 / GN 115.6 → Main Catalogue Page 864*

Latch, chrome plated locating ring

**1** **2**  
GN 115-SG-20

- 1** Type
- 2** Latch distance A

Latch, black locating ring

**1** **2** **3**  
GN 115-HG-32-SW

- 1** Type
- 2** Latch distance A
- 3** Finish



### Construction and assembly instructions

For installation, set a bore diameter in the door as shown in the outline drawing opposite.

Once assembled, the latch is pushed through the bore diameter from the front. The hexagon nut can then be pushed over the latch from the back and bolted in place.

**The installation bore diameter** in the door leaf is usually generated by punching or laser machining in series production.

For small series and steel sheets below 2 mm thickness, the sheet metal punches GN 123 are the tool of choice → *Main Catalogue Page 876*

The installation bore diameter can also be set by drilling / milling as shown in the outline drawings opposite.

