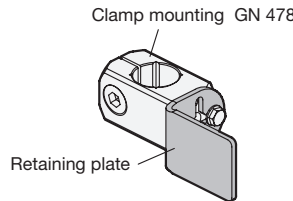
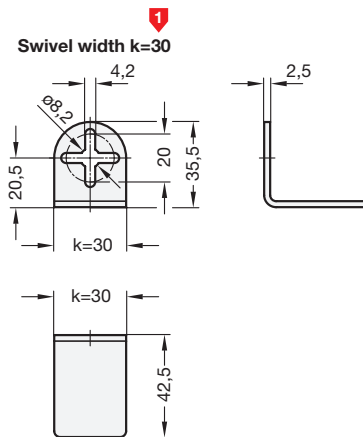


ROSTFREI  
Inox  
Stainless  
Steel



**Specification**

- Stainless Steel AISI 303 matt shot-blasted
- *Stainless Steel characteristics* → Page 1144
- **RoHS-compliant**

**Information**

Retaining plates GN 479.1 are designed as universal mounting elements, e.g. for integrating specific hole patterns.

The attachment bore matches the central thread of clamp mountings GN 478. For k=30, the cross-shaped slotted holes provide extra adjustability and allow the use of two fixing screws.

Fixing screws have to be ordered separately.

see also...

- *Clamp mountings (with threaded holes) GN 478* → Page 1081

How to order

**GN 479.1-16**

1 k

2.1  
2.2  
2.3  
2.4  
2.5  
2.6  
2.7  
2.8  
2.9