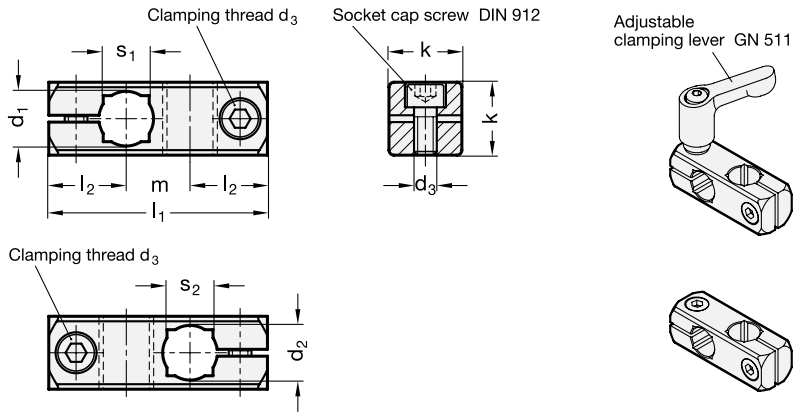



GN 474 Two-way clamp mountings

Aluminium



1 d_1 Bore B for shaft tol. h11	2 d_2 Bore B for shaft tol. h11	k	d_3 Clamping thread	l_1	l_2	m	s_1 Square V	s_2 Square V	Clamping lever for d_3  Distance sleeve
B 8	B 8	14	M 4	37	13,5	10	-	-	GN 511-M4-14
B 10	B 8	16	M 5	46	17	12	8	-	GN 511-M5-16
B 10	B 10	16	M 5	46	17	12	8	8	GN 511-M5-16
B 12	B 8	16	M 5	48	17	14	10	-	GN 511-M5-16
B 12	B 12	16	M 5	48	17	14	10	10	GN 511-M5-16
B 15	B 10	20	M 6	58	20,5	17	12	8	GN 511-M6-20
B 15	B 12	20	M 6	58	20,5	17	12	10	GN 511-M6-20
B 15	B 15	20	M 6	58	20,5	17	12	12	GN 511-M6-20
B 16	B 12	20	M 6	59	20,5	18	-	10	GN 511-M6-20
B 16	B 16	20	M 6	59	20,5	18	-	-	GN 511-M6-20
B 20	B 15	25	M 6	65	21,5	22	16	12	GN 511-M6-25
B 20	B 16	25	M 6	65	21,5	22	16	-	GN 511-M6-25
B 20	B 20	25	M 6	65	21,5	22	16	16	GN 511-M6-25

Specification

- Aluminium
 - matt, slide ground **MT**
 - anodized, black **ELS**
- Socket cap screws DIN 912
Stainless Steel AISI 304
- Adjustable clamping levers GN 511
 - Zinc die casting
 - Inserts / Distance bushings
Stainless Steel AISI 303 → Page 1086
- Stainless Steel characteristics → Page 1144
- RoHS-compliant



Information

The standard version of the clamping screw is a socket cap screw with hexagonal socket DIN 912. It can be replaced by an adjustable clamping lever GN 511 (see table of dimensions).

see also...

- Retaining rods / tubes GN 480.1 → Page 1085

How to order

GN 474-B12-B12-ELS

- | | |
|----------|--------|
| 1 | d_1 |
| 2 | d_2 |
| 3 | Finish |