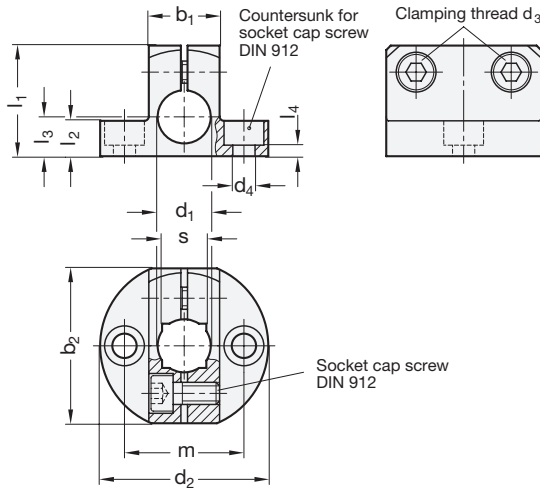
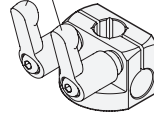


GN 473 Base plate clamp mountings

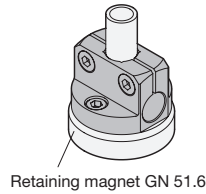
Aluminium




Adjustable clamping lever GN 511



Application example



1

d_1 Bore B for shaft tol. h11	b_1	b_2	d_2	d_3 Clamping thread	d_4 for screw	l_1	l_2	l_3	l_4	m	s Square V	Clamping lever for d_3  Distance sleeve
B 8	14	29	31,5	M 4	M 4	20	7	7	3	22	-	GN 511-M4-14
B 10	16	35	38	M 5	M 5	24	8	8	2,5	27	8	GN 511-M5-16
B 12	16	35	38	M 5	M 5	25	8	8	2,5	27	10	GN 511-M5-16
B 15	20	41	45	M 6	M 6	30	10	10	4	32	12	GN 511-M6-20
B 16	20	41	45	M 6	M 6	31	10	10	4	32	-	GN 511-M6-20
B 20	25	44	50	M 6	M 6	35	12,5	12,5	6,5	36	16	GN 511-M6-25

Specification

- Aluminium
 - matt, slide ground **MT**
 - anodized, black **ELS**
- Socket cap screws DIN 912
Stainless Steel AISI 304
- Adjustable clamping levers GN 511
 - Zinc die casting
 - Inserts / Distance bushings
Stainless Steel AISI 303 → Page 1086
- Stainless Steel characteristics → Page 1144
- RoHS compliant

2

Information

The base plate clamp mountings GN 473 have a horizontal and a vertical clamping bore. The vertical clamping bore is additionally fitted with a square.

The bore distance m of the base plate clamp mountings GN 473 is matched with the clamp mountings GN 477 and the flanged bolts GN 480 as well as retaining magnets GN 51.6.

The standard version of the clamping screw is a socket cap screw with hexagonal socket DIN 912. It can be replaced by an adjustable clamping lever GN 511 (see table of dimensions).

see also...

- Flanged bolts GN 480 → Page 1084
- Retaining rods / tubes GN 480.1 → Page 1085

How to order

GN 473-B12-MT

1 d_1

2 Finish