

Thermoplastic rubber wheels with steel sheet bracket

700 - 1800 N **RoHS**

• Covering

Grey anti-trace thermoplastic wheel, hardness 85 Shore A.

• Wheel centre body

Polypropylene-based (PP) technopolymer. Resistant to solvents, oils, greases and other chemical agents.

• Bore

Directly made into the centre.

• Axle set

Calibrated zinc-plated steel or AISI 304 stainless steel (SST version) precision tube. Tube serves as a spacer, is tightened to the bracket with screw and nut to a un predetermined torque value. The wheel bore rotates onto the tube freely.

• Fixed plate bracket

Zinc-plated steel or AISI 304 stainless steel (SST version) sheet, the bracket is designed to withstand loads up to 3000N.

• Turning plate bracket

Zinc-plated steel or AISI 304 stainless steel (SST version) sheet, the bracket is designed to withstand loads up to 3000N. The presence of two ball turns and the direct contact between the plate and the ball race ring with built-in pin ensure excellent manoeuvrability and very limited clearance. Does not require maintenance.

It consists of (see Fig.1):

- 1) fitting plate: electrolytically zinc-plated steel or AISI 304 stainless steel sheet;
- 2) fork: electrolytically zinc-plated steel or AISI 304 stainless steel sheet;
- 3) ball race ring: electrolytically zinc-plated steel or AISI 304 stainless steel sheet;
- 4) central pin: incorporated in the plate, cold reflanged;
- 5) rotation system: dual grease-lubricated ring of ball;
- 6) dust seal: RAL 7015 dark grey technopolymer.

• Brake

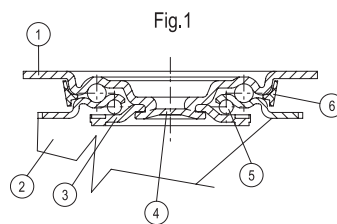
Total brake that locks the wheel and bracket rotation. The optimised dimensions and the retractible pedal ensure minimal space occupied and maximum actuation ease. Hardened carbon steel or stainless steel (SST version) spring.

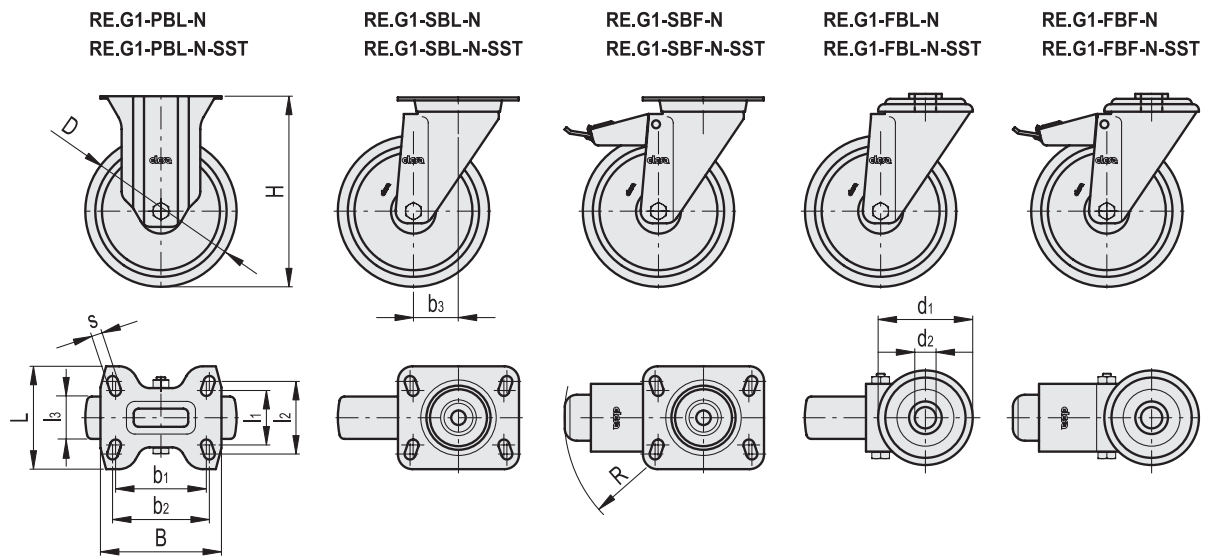
• Standard executions

- **PBL-N**: fixed plate bracket, without brake.
- **SBL-N**: turning plate bracket, without brake.
- **SBF-N**: turning plate bracket, with brake.
- **FBL-N**: turning plate bracket and centre pass-through hole, without brake.
- **FBF-N**: turning plate bracket and centre pass-through hole, with brake.
- **PBL-N-SST**: fixed plate bracket, without brake.
- **SBL-N-SST**: turning plate bracket, without brake.
- **SBF-N-SST**: turning plate bracket, with brake.
- **FBL-N-SST**: turning plate bracket and centre pass-through hole, without brake.
- **FBF-N-SST**: turning plate bracket and centre pass-through hole, with brake.

Applications

The wheel RE.G1 has excellent smoothness and elasticity features. For further information see RE.G1.





RE.G1-N

| Code | Description | D | d ₁ | d ₂ | b ₁ | l ₁ | b ₂ | l ₂ | l ₃ | H | B | L | s | b ₃ | R | Rolling resistance# [N] | Dynamic carrying capacity# [N] | ⚖ |
|--------|-----------------|-----|----------------|----------------|----------------|----------------|----------------|----------------|----------------|-----|-----|-----|----|----------------|-----|-------------------------|--------------------------------|------|
| 452651 | RE.G1-080-PBL-N | 80 | - | - | 75 | 45 | 80 | 60 | 30 | 107 | 100 | 85 | 9 | - | - | 700 | 700 | 360 |
| 452656 | RE.G1-100-PBL-N | 100 | - | - | 75 | 45 | 80 | 60 | 30 | 128 | 100 | 85 | 9 | - | - | 1000 | 1000 | 390 |
| 452661 | RE.G1-125-PBL-N | 125 | - | - | 75 | 45 | 80 | 60 | 35 | 156 | 100 | 85 | 9 | - | - | 1200 | 1200 | 610 |
| 452666 | RE.G1-150-PBL-N | 150 | - | - | 105 | 73 | 105 | 85 | 45 | 194 | 140 | 114 | 11 | - | - | 1800 | 1800 | 1350 |
| 452551 | RE.G1-080-SBL-N | 80 | - | - | 75 | 45 | 80 | 60 | 30 | 107 | 100 | 85 | 9 | 39 | - | 700 | 700 | 600 |
| 452556 | RE.G1-100-SBL-N | 100 | - | - | 75 | 45 | 80 | 60 | 30 | 128 | 100 | 85 | 9 | 35 | - | 1000 | 1000 | 700 |
| 452561 | RE.G1-125-SBL-N | 125 | - | - | 75 | 45 | 80 | 60 | 35 | 156 | 100 | 85 | 9 | 37 | - | 1200 | 1200 | 860 |
| 452566 | RE.G1-150-SBL-N | 150 | - | - | 105 | 73 | 105 | 87 | 45 | 194 | 140 | 110 | 11 | 56 | - | 1800 | 1800 | 1720 |
| 452601 | RE.G1-080-SBF-N | 80 | - | - | 75 | 45 | 80 | 60 | 30 | 107 | 100 | 85 | 9 | 39 | 120 | 700 | 700 | 790 |
| 452606 | RE.G1-100-SBF-N | 100 | - | - | 75 | 45 | 80 | 60 | 30 | 128 | 100 | 85 | 9 | 35 | 120 | 1000 | 1000 | 850 |
| 452611 | RE.G1-125-SBF-N | 125 | - | - | 75 | 45 | 80 | 60 | 35 | 156 | 100 | 85 | 9 | 37 | 120 | 1200 | 1200 | 1000 |
| 452616 | RE.G1-150-SBF-N | 150 | - | - | 105 | 73 | 105 | 87 | 45 | 194 | 140 | 110 | 11 | 56 | 156 | 1800 | 1800 | 2000 |
| 452701 | RE.G1-080-FBL-N | 80 | 73 | 12 | - | - | - | - | 30 | 107 | - | - | - | 39 | - | 700 | 700 | 600 |
| 452706 | RE.G1-100-FBL-N | 100 | 73 | 12 | - | - | - | - | 30 | 128 | - | - | - | 35 | - | 1000 | 1000 | 700 |
| 452711 | RE.G1-125-FBL-N | 125 | 73 | 12 | - | - | - | - | 35 | 156 | - | - | - | 37 | - | 1200 | 1200 | 860 |
| 452716 | RE.G1-150-FBL-N | 150 | 102 | 20 | - | - | - | - | 45 | 188 | - | - | - | 56 | - | 1800 | 1800 | 1720 |
| 452751 | RE.G1-080-FBF-N | 80 | 73 | 12 | - | - | - | - | 30 | 107 | - | - | - | 39 | 120 | 700 | 700 | 790 |
| 452756 | RE.G1-100-FBF-N | 100 | 73 | 12 | - | - | - | - | 30 | 128 | - | - | - | 35 | 120 | 1000 | 1000 | 850 |
| 452761 | RE.G1-125-FBF-N | 125 | - | - | - | - | - | - | 35 | 156 | - | - | - | 37 | 120 | 1200 | 1200 | 1000 |
| 452766 | RE.G1-150-FBF-N | 150 | - | - | - | - | - | - | 45 | 188 | - | - | - | 56 | 156 | 1800 | 1800 | 2000 |

RE.G1-N-SST

| Code | Description | D | d ₁ | d ₂ | b ₁ | l ₁ | b ₂ | l ₂ | l ₃ | H | B | L | s | b ₃ | R | Rolling resistance# [N] | Dynamic carrying capacity# [N] | ⚖ |
|--------|---------------------|-----|----------------|----------------|----------------|----------------|----------------|----------------|----------------|-----|-----|----|---|----------------|-----|-------------------------|--------------------------------|-----|
| 452653 | RE.G1-080-PBL-N-SST | 80 | - | - | 75 | 45 | 80 | 60 | 30 | 107 | 100 | 85 | 9 | - | - | 700 | 700 | 590 |
| 452658 | RE.G1-100-PBL-N-SST | 100 | - | - | 75 | 45 | 80 | 60 | 30 | 128 | 100 | 85 | 9 | - | - | 1000 | 1000 | 610 |
| 452663 | RE.G1-125-PBL-N-SST | 125 | - | - | 75 | 45 | 80 | 60 | 35 | 156 | 100 | 85 | 9 | - | - | 1200 | 1200 | 760 |
| 452553 | RE.G1-080-SBL-N-SST | 80 | - | - | 75 | 45 | 80 | 60 | 30 | 107 | 100 | 85 | 9 | 39 | - | 700 | 700 | 330 |
| 452558 | RE.G1-100-SBL-N-SST | 100 | - | - | 75 | 45 | 80 | 60 | 30 | 128 | 100 | 85 | 9 | 35 | - | 1000 | 1000 | 360 |
| 452563 | RE.G1-125-SBL-N-SST | 125 | - | - | 75 | 45 | 80 | 60 | 35 | 156 | 100 | 85 | 9 | 37 | - | 1200 | 1200 | 590 |
| 452603 | RE.G1-080-SBF-N-SST | 80 | - | - | 75 | 45 | 80 | 60 | 30 | 107 | 100 | 85 | 9 | 39 | 120 | 700 | 700 | 530 |
| 452608 | RE.G1-100-SBF-N-SST | 100 | - | - | 75 | 45 | 80 | 60 | 30 | 128 | 100 | 85 | 9 | 35 | 120 | 1000 | 1000 | 570 |
| 452613 | RE.G1-125-SBF-N-SST | 125 | - | - | 75 | 45 | 80 | 60 | 35 | 156 | 100 | 85 | 9 | 37 | 120 | 1200 | 1200 | 740 |
| 452703 | RE.G1-080-FBL-N-SST | 80 | 73 | 12 | - | - | - | - | 30 | 107 | - | - | - | 39 | - | 700 | 700 | 760 |
| 452708 | RE.G1-100-FBL-N-SST | 100 | 73 | 12 | - | - | - | - | 30 | 128 | - | - | - | 35 | - | 1000 | 1000 | 790 |
| 452713 | RE.G1-125-FBL-N-SST | 125 | 73 | 12 | - | - | - | - | 35 | 156 | - | - | - | 37 | - | 1200 | 1200 | 900 |
| 452753 | RE.G1-080-FBF-N-SST | 80 | 73 | 12 | - | - | - | - | 30 | 107 | - | - | - | 39 | 120 | 700 | 700 | 700 |
| 452758 | RE.G1-100-FBF-N-SST | 100 | 73 | 12 | - | - | - | - | 30 | 128 | - | - | - | 35 | 120 | 1000 | 1000 | 780 |
| 452763 | RE.G1-125-FBF-N-SST | 125 | 73 | 12 | - | - | - | - | 35 | 156 | - | - | - | 37 | 120 | 1200 | 1200 | 890 |

For rolling resistance and dynamic carrying capacity see TECHNICAL DATA.