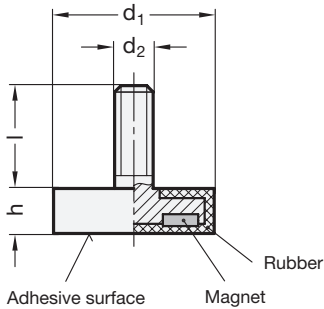
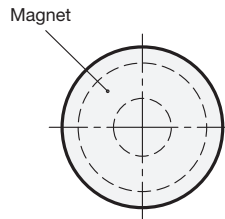


Range extended!



View on adhesive surface



2

d ₁	d ₂	h	Length l	Nominal adhesive forces in N
22	M 4	6	6,5	50
43	M 6	6	15	85
66	M 8	8,5	15	180
88	M 8	8,5	15	420

Specification

1

3

- Steel part
zinc plated
- Material of the magnet
NdFeB **ND**
Neodymium, iron, boron
temperature resistant up to 80 °C
- Rubber jacket
Elastomer (TPE)
80 shore A ≈
black ● **SW**
white ○ **WS**
- *Elastomer characteristics* → Page 1140
- *RoHS compliant*

Information

Retaining magnets GN 51.3 are a shielded magnetic system with rubber jacket.

The rubber jacket protects sensitive surfaces from being damaged by the magnet and also delivers a higher friction coefficient, resulting in high lateral adhesion forces.

see also...

- *More information to retaining magnets* → Page 1094

Bestellbeispiel

GN 51.3 -ND-43-WS

1	Material of the magnet
2	d ₁
3	Colour

2.1
2.2
2.3
2.4
2.5
2.6
2.7
2.8
2.9

