

NDX.T

Round end-caps



- **Material**

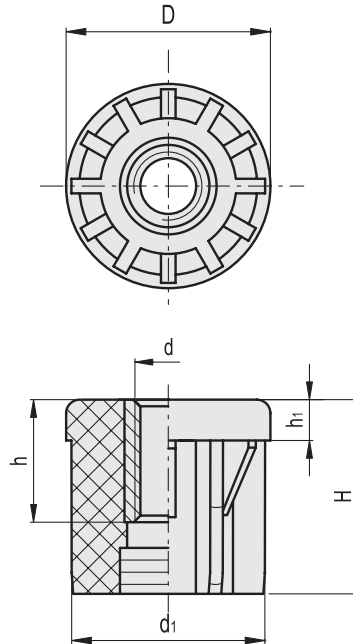
Glass-fibre reinforced polyamide based (PA) technopolymer. Resistant to solvents, oils, greases and other chemical agents.

- **Colour**

Black, matte finish.

- **Standard execution**

Brass boss, threaded pass-through hole.




Code	Description	D	d	h	d ₁	H	h ₁	External	Internal	Thickness	Max. static load* [N]	⚖
320211	NDX.T-20x2-M8	20	M8	5	16	23	5	20	16	2	4000	23
320221	NDX.T-25x2-M8	25	M8	5.5	21	26	5.5	25	21	2	4500	24
320222	NDX.T-25x2-M10	25	M10	5.5	21	26	5.5	25	21	2	4500	24
320231	NDX.T-30x1-M8	30	M8	10	28	31	6	30	28	1	4500	24
320232	NDX.T-30x1-M10	30	M10	10	28	31	6	30	28	1	4500	24
320233	NDX.T-30x1-M12	30	M12	10	28	31	6	30	28	1	4500	24
320234	NDX.T-30x1-M14	30	M14	15	28	31	6	30	28	1	4500	26
320235	NDX.T-30x1-M16	30	M16	15	28	31	6	30	28	1	4500	26
320241	NDX.T-30x1.5-M8	30	M8	10	27	31	6	30	27	1.5	4500	24
320242	NDX.T-30x1.5-M10	30	M10	10	27	31	6	30	27	1.5	4500	24
320243	NDX.T-30x1.5-M12	30	M12	10	27	31	6	30	27	1.5	4500	24
320244	NDX.T-30x1.5-M14	30	M14	15	27	31	6	30	27	1.5	4500	26
320245	NDX.T-30x1.5-M16	30	M16	15	27	31	6	30	27	1.5	4500	26
320251	NDX.T-30x2-M8#	30	M8	10	26	31	6	30	26	2	4500	24
320252	NDX.T-30x2-M10#	30	M10	10	26	31	6	30	26	2	4500	24
320253	NDX.T-30x2-M12#	30	M12	10	26	31	6	30	26	2	4500	24
320254	NDX.T-30x2-M14#	30	M14	15	26	31	6	30	26	2	4500	26
320255	NDX.T-30x2-M16#	30	M16	15	26	31	6	30	26	2	4500	26
320261	NDX.T-30x2.5-M8#	30	M8	10	25	31	6	30	25	2.5	4500	24
320262	NDX.T-30x2.5-M10#	30	M10	10	25	31	6	30	25	2.5	4500	24

On request and for sufficient quantities.


* The max static load is the value above which the load applied to the element may cause some plastic material breakage, in particular conditions of use. Obviously, a factor that takes into consideration the importance and the safety level of the specific application must be applied to this value.



Code	Description	D	d	h	d ₁	H	h ₁	External	Internal	Thickness	Max. static load* [N]	
320263	NDX.T-30x2.5-M12#	30	M12	10	25	31	6	30	25	2.5	4500	24
320264	NDX.T-30x2.5-M14#	30	M14	15	25	31	6	30	25	2.5	4500	26
320265	NDX.T-30x2.5-M16#	30	M16	15	25	31	6	30	25	2.5	4500	26
320266	NDX.T-32x2-M8	32	M8	10	28	31	6	32	28	2	4500	28
320267	NDX.T-32x2-M10	32	M10	10	28	31	6	32	28	2	4500	28
320268	NDX.T-35x2-M10	35	M10	10	31	31	6	35	31	2	4500	30
320269	NDX.T-35x2-M12	35	M12	10	31	31	6	35	31	2	4500	30
320271	NDX.T-38x1.5-M8	38	M8	10	35	38	8	38	35	1.5	5000	32
320272	NDX.T-38x1.5-M10	38	M10	10	35	38	8	38	35	1.5	5000	32
320273	NDX.T-38x1.5-M12	38	M12	10	35	38	8	38	35	1.5	5000	32
320274	NDX.T-38x1.5-M14	38	M14	15	35	38	8	38	35	1.5	5000	34
320275	NDX.T-38x1.5-M16	38	M16	15	35	38	8	38	35	1.5	5000	34
320282	NDX.T-38x2-M10	38	M10	10	34	38	8	38	34	2	5000	32
320283	NDX.T-38x2-M12	38	M12	10	34	38	8	38	34	2	5000	32
320284	NDX.T-38x2-M14	38	M14	15	34	38	8	38	34	2	5000	34
320285	NDX.T-38x2-M16	38	M16	15	34	38	8	38	34	2	5000	34
320292	NDX.T-38x2.5-M10#	38	M10	10	33	38	8	38	33	2.5	5000	32
320293	NDX.T-38x2.5-M12#	38	M12	10	33	38	8	38	33	2.5	5000	32
320294	NDX.T-38x2.5-M14#	38	M14	15	33	38	8	38	33	2.5	5000	34
320295	NDX.T-38x2.5-M16#	38	M16	15	33	38	8	38	33	2.5	5000	34
320297	NDX.T-40x3-M10	40	M10	10	34	38	7.5	40	34	3	5000	40
320298	NDX.T-40x3-M12	40	M12	10	34	38	7.5	40	34	3	5000	40
320301	NDX.T-42.4x1.5-M8	42	M8	10	39.4	38	8	42.4	39.4	1.5	5000	44
320302	NDX.T-42.4x1.5-M10	42	M10	10	39.4	38	8	42.4	39.4	1.5	5000	44
320303	NDX.T-42.4x1.5-M12	42	M12	10	39.4	38	8	42.4	39.4	1.5	5000	44
320304	NDX.T-42.4x1.5-M14	42	M14	15	39.4	38	8	42.4	39.4	1.5	5000	46
320305	NDX.T-42.4x1.5-M16	42	M16	15	39.4	38	8	42.4	39.4	1.5	5000	46
320306	NDX.T-42.4x1.5-M20	42	M20	20	39.4	38	8	42.4	39.4	1.5	8000	42
320312	NDX.T-42.4x2-M10	42	M10	10	38.4	38	8	42.4	38.4	2	5000	44
320313	NDX.T-42.4x2-M12	42	M12	10	38.4	38	8	42.4	38.4	2	5000	44
320314	NDX.T-42.4x2-M14	42	M14	15	38.4	38	8	42.4	38.4	2	5000	46
320315	NDX.T-42.4x2-M16	42	M16	15	38.4	38	8	42.4	38.4	2	5000	46
320316	NDX.T-42.4x2-M20	42	M20	20	38.4	38	8	42.4	38.4	2	8000	42
320322	NDX.T-42.4x2.5-M10#	42	M10	10	37.4	38	8	42.4	37.4	2.5	5000	44
320323	NDX.T-42.4x2.5-M12#	42	M12	10	37.4	38	8	42.4	37.4	2.5	5000	44
320324	NDX.T-42.4x2.5-M14#	42	M14	15	37.4	38	8	42.4	37.4	2.5	5000	46
320325	NDX.T-42.4x2.5-M16#	42	M16	15	37.4	38	8	42.4	37.4	2.5	5000	46
320326	NDX.T-42.4x2.5-M20#	42	M20	20	37.4	38	8	42.4	37.4	2.5	8000	42
320327	NDX.T-42x3-M10	42	M10	10	36	38	8	42	36	3	5000	44
320328	NDX.T-42x3-M12	42	M12	10	36	38	8	42	36	3	5000	44
320329	NDX.T-45x3-M12	45	M12	10	39	38	8.5	45	36	3	5000	46
320330	NDX.T-45x3-M16	45	M16	10	39	38	8.5	45	36	3	5000	46
320331	NDX.T-48.3x1.5-M8	48	M8	10	45.3	45	10	48.3	45.3	1.5	5500	50
320332	NDX.T-48.3x1.5-M10	48	M10	10	45.3	45	10	48.3	45.3	1.5	5500	50
320333	NDX.T-48.3x1.5-M12	48	M12	10	45.3	45	10	48.3	45.3	1.5	5500	50
320334	NDX.T-48.3x1.5-M14	48	M14	15	45.3	45	10	48.3	45.3	1.5	5500	52
320335	NDX.T-48.3x1.5-M16	48	M16	15	45.3	45	10	48.3	45.3	1.5	5500	52
320336	NDX.T-48.3x1.5-M20	48	M20	20	45.3	45	10	48.3	45.3	1.5	8500	48
320343	NDX.T-48.3x2-M12	48	M12	10	44.3	38	10	48.3	44.3	2	5500	50
320344	NDX.T-48.3x2-M14	48	M14	15	44.3	45	10	48.3	44.3	2	5500	52
320345	NDX.T-48.3x2-M16	48	M16	15	44.3	45	10	48.3	44.3	2	5500	52
320346	NDX.T-48.3x2-M20	48	M20	20	44.3	45	10	48.3	44.3	2	8500	48
320353	NDX.T-48.3x2.5-M12	48	M12	10	43.3	45	10	48.3	43.3	2.5	5500	50
320354	NDX.T-48.3x2.5-M14	48	M14	15	43.3	45	10	48.3	43.3	2.5	5500	52

On request and for sufficient quantities.

* The max static load is the value above which the load applied to the element may cause some plastic material breakage, in particular conditions of use. Obviously, a factor that takes into consideration the importance and the safety level of the specific application must be applied to this value.

Code	Description	D	d	h	d ₁	H	h ₁	External	Internal	Thickness	Max. static load* [N]	
320355	NDX.T-48.3x2.5-M16	48	M16	15	43.3	45	10	48.3	43.3	2.5	5500	52
320356	NDX.T-48.3x2.5-M20	48	M20	20	43.3	45	10	48.3	43.3	2.5	8500	48
320358	NDX.T-48x3-M12	48	M12	10	42	45	10	48	42	3	5500	50
320359	NDX.T-48x3-M16	48	M16	15	42	45	10	48	42	3	5500	52
320363	NDX.T-50.9x1.5-M12	50.5	M12	10	47.9	45	10	50.9	47.9	1.5	5500	64
320364	NDX.T-50.9x1.5-M14	50.5	M14	15	47.9	45	10	50.9	47.9	1.5	5500	64
320365	NDX.T-50.9x1.5-M16	50.5	M16	15	47.9	45	10	50.9	47.9	1.5	5500	63
320366	NDX.T-50.9x1.5-M20	50.5	M20	20	47.9	45	10	50.9	47.9	1.5	8500	63
320373	NDX.T-50.9x2-M12	50.5	M12	10	46.9	45	10	50.9	46.9	2	5500	63
320374	NDX.T-50.9x2-M14	50.5	M14	15	46.9	45	10	50.9	46.9	2	5500	63
320375	NDX.T-50.9x2-M16	50.5	M16	15	46.9	45	10	50.9	46.9	2	5500	63
320376	NDX.T-50.9x2-M20	50.5	M20	20	46.9	45	10	50.9	46.9	2	8500	62
320383	NDX.T-50.9x2.5-M12#	50.5	M12	10	45.9	45	10	50.9	45.9	2.5	5500	64
320384	NDX.T-50.9x2.5-M14#	50.5	M14	15	45.9	45	10	50.9	45.9	2.5	5500	64
320385	NDX.T-50.9x2.5-M16#	50.5	M16	15	45.9	45	10	50.9	45.9	2.5	5500	63
320386	NDX.T-50.9x2.5-M20#	50.5	M20	20	45.9	45	10	50.9	45.9	2.5	8500	63
320388	NDX.T-50x3-M12	50.5	M12	10	44.5	45	10	50.5	44.5	3	5500	64
320389	NDX.T-50x3-M16	50.5	M16	15	44.5	45	10	50.5	44.5	3	5500	63
320391	NDX.T-60.3x1.5-M8	60	M8	10	57.3	52	12	60.3	57.3	1.5	5500	92
320392	NDX.T-60.3x1.5-M10	60	M10	10	57.3	52	12	60.3	57.3	1.5	5500	92
320393	NDX.T-60.3x1.5-M12	60	M12	10	57.3	52	12	60.3	57.3	1.5	5500	92
320394	NDX.T-60.3x1.5-M14	60	M14	15	57.3	52	12	60.3	57.3	1.5	5500	94
320395	NDX.T-60.3x1.5-M16	60	M16	15	57.3	52	12	60.3	57.3	1.5	5500	94
320396	NDX.T-60.3x1.5-M20	60	M20	20	57.3	52	12	60.3	57.3	1.5	8500	92
320397	NDX.T-60.3x1.5-M24	60	M24	20	57.3	52	12	60.3	57.3	1.5	8500	92
320401	NDX.T-60.3x2-M8	60	M8	10	56.3	52	12	60.3	56.3	2	5500	92
320402	NDX.T-60.3x2-M10	60	M10	10	56.3	52	12	60.3	56.3	2	5500	92
320403	NDX.T-60.3x2-M12	60	M12	10	56.3	52	12	60.3	56.3	2	5500	92
320404	NDX.T-60.3x2-M14	60	M14	15	56.3	52	12	60.3	56.3	2	5500	94
320405	NDX.T-60.3x2-M16	60	M16	15	56.3	52	12	60.3	56.3	2	5500	94
320406	NDX.T-60.3x2-M20	60	M20	20	56.3	52	12	60.3	56.3	2	8500	94
320407	NDX.T-60.3x2-M24	60	M24	20	56.3	52	12	60.3	56.3	2	8500	92
320411	NDX.T-60.3x2.5-M8	60	M8	10	55.3	52	12	60.3	55.3	2.5	5500	92
320412	NDX.T-60.3x2.5-M10	60	M10	10	55.3	52	12	60.3	55.3	2.5	5500	92
320413	NDX.T-60.3x2.5-M12	60	M12	10	55.3	52	12	60.3	55.3	2.5	5500	92
320414	NDX.T-60.3x2.5-M14	60	M14	15	55.3	52	12	60.3	55.3	2.5	5500	94
320415	NDX.T-60.3x2.5-M16	60	M16	15	55.3	52	12	60.3	55.3	2.5	5500	94
320416	NDX.T-60.3x2.5-M20	60	M20	20	55.3	52	12	60.3	55.3	2.5	8500	92
320417	NDX.T-60.3x2.5-M24	60	M24	20	55.3	52	12	60.3	55.3	2.5	8500	92

On request and for sufficient quantities.

* The max static load is the value above which the load applied to the element may cause some plastic material breakage, in particular conditions of use. Obviously, a factor that takes into consideration the importance and the safety level of the specific application must be applied to this value.