

Levelling elements for ground mounting



- **Base**
Glass-fibre reinforced polyamide based (PA) technopolymer. Resistant to solvents, oils, greases and other chemical agents.
- **Colour**
Black, matte finish.
- **Articulated stem**
Threaded AISI 304 stainless steel with regulation hexagon.
- **Standard executions**
 - LV.F-SST: without no-slip disk.
 - LV.F-AS-SST: with NBR rubber no-slip disk, hardness 70 Shore A, supplied assembled to the base.
- **Ground mounting**
By means of two holes at 180°, supplied covered by a diaphragm (which can be easily removed by a metal tool), to avoid all unhealthy deposits of dirt and dust when the ground mounting is not required (see Fig. 1).

Features and applications

The special knurling under the lower lip of the base provides excellent stability and grip when using the levelling element without no-slip disk even on surfaces that are not perfectly flat.

The particular assembling system of the no-slip disk to the base assures a perfect anchoring, preventing separation even in case of impact during transport or of adhesion (sticking) to the floor (see No-slip disk).

Order information

The levelling elements are supplied unassembled to make carriage and storage easier. The components (base and stem) are supplied in separate packing: less volume taken and better protection from scratches and dirt. To order bases and stems separately, see codes of the Bases and of the Stems.

Accessories on request

Stainless steel nut (see Nuts NT.).

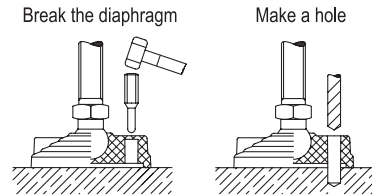
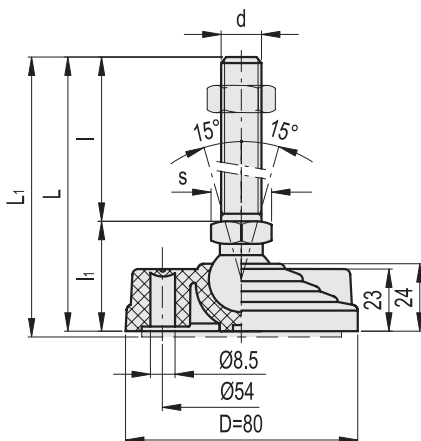
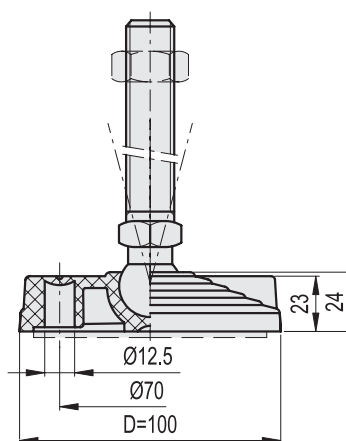


Fig.1

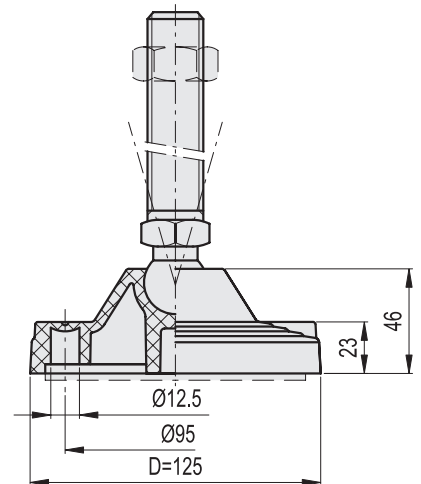
LV.F-80-SST



LV.F-100-SST



LV.F-125-SST




LV.F-SST

Code	Description	D	d	L	l	h ₁	s	Articulation ∅	Max. limit stati load* [N]	⚖
331121	LV.F-80-14-SST-M8x43	80	M8	76	43	33	14	14	16000	86
331125	LV.F-80-14-SST-M8x68	80	M8	101	68	33	14	14	16000	98
331221	LV.F-80-14-SST-M10x43	80	M10	76	43	33	14	14	16000	95
331225	LV.F-80-14-SST-M10x68	80	M10	101	68	33	14	14	16000	108
331231	LV.F-80-14-SST-M10x98	80	M10	131	98	33	14	14	16000	122
331321	LV.F-80-14-SST-M12x43	80	M12	76	43	33	14	14	16000	105
331325	LV.F-80-14-SST-M12x68	80	M12	101	68	33	14	14	16000	123
331331	LV.F-80-14-SST-M12x98	80	M12	131	98	33	14	14	16000	145
331521	LV.F-80-14-SST-M16x68	80	M16	101	68	33	16	14	16000	168
331525	LV.F-80-14-SST-M16x108	80	M16	141	108	33	16	14	16000	222
331541	LV.F-80-14-SST-M16x148	80	M16	181	148	33	16	14	16000	275
331561	LV.F-80-14-SST-M16x168	80	M16	201	168	33	16	14	16000	302
331621	LV.F-80-24-SST-M16x58	80	M16	101	58	43	24	24	18000	230
331625	LV.F-80-24-SST-M16x98	80	M16	141	98	43	24	24	18000	282
331641	LV.F-80-24-SST-M16x138	80	M16	181	138	43	24	24	18000	333
331661	LV.F-80-24-SST-M16x158	80	M16	201	158	43	24	24	18000	361
331725	LV.F-80-24-SST-M20x98	80	M20	141	98	43	24	24	18000	354
331741	LV.F-80-24-SST-M20x138	80	M20	181	138	43	24	24	18000	434
331761	LV.F-80-24-SST-M20x158	80	M20	201	158	43	24	24	18000	474
331781	LV.F-80-24-SST-M20x198	80	M20	241	198	43	24	24	18000	559
331825	LV.F-80-24-SST-M24x98	80	M24	141	98	43	24	24	18000	454
331861	LV.F-80-24-SST-M24x158	80	M24	201	158	43	24	24	18000	629
331881	LV.F-80-24-SST-M24x198	80	M24	241	198	43	24	24	18000	750
332451	LV.F-100-14-SST-M8x43	100	M8	76	43	33	14	14	18000	93
332453	LV.F-100-14-SST-M8x68	100	M8	101	68	33	14	14	18000	105
332461	LV.F-100-14-SST-M10x43	100	M10	76	43	33	14	14	18000	102
332463	LV.F-100-14-SST-M10x68	100	M10	101	68	33	14	14	18000	114
332465	LV.F-100-14-SST-M10x98	100	M10	131	98	33	14	14	18000	128
332471	LV.F-100-14-SST-M12x43	100	M12	76	43	33	14	14	18000	112
332473	LV.F-100-14-SST-M12x68	100	M12	101	68	33	14	14	18000	129
332475	LV.F-100-14-SST-M12x98	100	M12	131	98	33	14	14	18000	150
332481	LV.F-100-14-SST-M16x68	100	M16	101	68	33	16	14	18000	173
332483	LV.F-100-14-SST-M16x108	100	M16	141	108	33	16	14	18000	225
332485	LV.F-100-14-SST-M16x148	100	M16	181	148	33	16	14	18000	277
332487	LV.F-100-14-SST-M16x168	100	M16	201	168	33	16	14	18000	303
332521	LV.F-100-24-SST-M16x58	100	M16	101	58	43	24	24	25000	260
332525	LV.F-100-24-SST-M16x98	100	M16	141	98	43	24	24	25000	312
332541	LV.F-100-24-SST-M16x138	100	M16	181	138	43	24	24	25000	363
332561	LV.F-100-24-SST-M16x158	100	M16	201	158	43	24	24	25000	391
332625	LV.F-100-24-SST-M20x98	100	M20	141	98	43	24	24	25000	384
332641	LV.F-100-24-SST-M20x138	100	M20	181	138	43	24	24	25000	464
332661	LV.F-100-24-SST-M20x158	100	M20	201	158	43	24	24	25000	504
332681	LV.F-100-24-SST-M20x198	100	M20	241	198	43	24	24	25000	589
332725	LV.F-100-24-SST-M24x98	100	M24	141	98	43	24	24	25000	484
332761	LV.F-100-24-SST-M24x158	100	M24	201	158	43	24	24	25000	659
332781	LV.F-100-24-SST-M24x198	100	M24	241	198	43	24	24	25000	780
333521	LV.F-125-24-SST-M16x58	125	M16	125	58	67	24	24	28000	399
333525	LV.F-125-24-SST-M16x98	125	M16	165	98	67	24	24	28000	451
333541	LV.F-125-24-SST-M16x138	125	M16	205	138	67	24	24	28000	502
333561	LV.F-125-24-SST-M16x158	125	M16	225	158	67	24	24	28000	530
333625	LV.F-125-24-SST-M20x98	125	M20	165	98	67	24	24	28000	523
333641	LV.F-125-24-SST-M20x138	125	M20	205	138	67	24	24	28000	603
333661	LV.F-125-24-SST-M20x158	125	M20	225	158	67	24	24	28000	643
333681	LV.F-125-24-SST-M20x198	125	M20	265	198	67	24	24	28000	728
333725	LV.F-125-24-SST-M24x98	125	M24	165	98	67	24	24	28000	623
333761	LV.F-125-24-SST-M24x158	125	M24	225	158	67	24	24	28000	798
333781	LV.F-125-24-SST-M24x198	125	M24	265	198	67	24	24	28000	919

* The max static load is the value above which the load applied to the element may cause some plastic material breakage, in particular conditions of use. Obviously, a factor that takes into consideration the importance and the safety level of the specific application must be applied to this value.



LV.F-AS-SST

Code	Description	D	d	L	L ₁	l	l ₁	s	Articulation ∅	Max. limit stati load* [N]	
334121	LV.F-80-14-AS-SST-M8x43	80	M8	76	79	43	33	14	14	16000	112
334125	LV.F-80-14-AS-SST-M8x68	80	M8	101	104	68	33	14	14	16000	124
334221	LV.F-80-14-AS-SST-M10x43	80	M10	76	79	43	33	14	14	16000	121
334225	LV.F-80-14-AS-SST-M10x68	80	M10	101	104	68	33	14	14	16000	134
334231	LV.F-80-14-AS-SST-M10x98	80	M10	131	134	98	33	14	14	16000	148
334321	LV.F-80-14-AS-SST-M12x43	80	M12	76	79	43	33	14	14	16000	131
334325	LV.F-80-14-AS-SST-M12x68	80	M12	101	104	68	33	14	14	16000	149
334331	LV.F-80-14-AS-SST-M12x98	80	M12	131	134	98	33	14	14	16000	171
334521	LV.F-80-14-AS-SST-M16x68	80	M16	101	104	68	33	16	14	16000	194
334525	LV.F-80-14-AS-SST-M16x108	80	M16	141	144	108	33	16	14	16000	248
334541	LV.F-80-14-AS-SST-M16x148	80	M16	181	184	148	33	16	14	16000	301
334561	LV.F-80-14-AS-SST-M16x168	80	M16	201	204	168	33	16	14	16000	328
334621	LV.F-80-24-AS-SST-M16x58	80	M16	101	104	58	43	24	24	18000	256
334625	LV.F-80-24-AS-SST-M16x98	80	M16	141	144	98	43	24	24	18000	308
334641	LV.F-80-24-AS-SST-M16x138	80	M16	181	184	138	43	24	24	18000	359
334661	LV.F-80-24-AS-SST-M16x158	80	M16	201	204	158	43	24	24	18000	387
334725	LV.F-80-24-AS-SST-M20x98	80	M20	141	144	98	43	24	24	18000	380
334741	LV.F-80-24-AS-SST-M20x138	80	M20	181	184	138	43	24	24	18000	460
334761	LV.F-80-24-AS-SST-M20x158	80	M20	201	204	158	43	24	24	18000	500
334781	LV.F-80-24-AS-SST-M20x198	80	M20	241	244	198	43	24	24	18000	585
334825	LV.F-80-24-AS-SST-M24x98	80	M24	141	144	98	43	24	24	18000	480
334861	LV.F-80-24-AS-SST-M24x158	80	M24	201	204	158	43	24	24	18000	655
334881	LV.F-80-24-AS-SST-M24x198	80	M24	241	244	198	43	24	24	18000	776
335451	LV.F-100-14-AS-SST-M8x43	100	M8	76	79	43	33	14	14	18000	148
335453	LV.F-100-14-AS-SST-M8x68	100	M8	101	104	68	33	14	14	18000	160
335461	LV.F-100-14-AS-SST-M10x43	100	M10	76	79	43	33	14	14	18000	157
335463	LV.F-100-14-AS-SST-M10x68	100	M10	101	104	68	33	14	14	18000	169
335465	LV.F-100-14-AS-SST-M10x98	100	M10	131	134	98	33	14	14	18000	183
335471	LV.F-100-14-AS-SST-M12x43	100	M12	76	79	43	33	14	14	18000	167
335473	LV.F-100-14-AS-SST-M12x68	100	M12	101	104	68	33	14	14	18000	184
335475	LV.F-100-14-AS-SST-M12x98	100	M12	131	134	98	33	14	14	18000	205
335481	LV.F-100-14-AS-SST-M16x68	100	M16	101	104	68	33	16	14	18000	228
335483	LV.F-100-14-AS-SST-M16x108	100	M16	141	144	108	33	16	14	18000	280
335485	LV.F-100-14-AS-SST-M16x148	100	M16	181	184	148	33	16	14	18000	332
335487	LV.F-100-14-AS-SST-M16x168	100	M16	201	204	168	33	16	14	18000	358
335521	LV.F-100-24-AS-SST-M16x58	100	M16	101	104	58	43	24	24	25000	314
335525	LV.F-100-24-AS-SST-M16x98	100	M16	141	144	98	43	24	24	25000	366
335541	LV.F-100-24-AS-SST-M16x138	100	M16	181	184	138	43	24	24	25000	417
335561	LV.F-100-24-AS-SST-M16x158	100	M16	201	204	158	43	24	24	25000	445
335625	LV.F-100-24-AS-SST-M20x98	100	M20	141	144	98	43	24	24	25000	438
335641	LV.F-100-24-AS-SST-M20x138	100	M20	181	184	138	43	24	24	25000	518
335661	LV.F-100-24-AS-SST-M20x158	100	M20	201	204	158	43	24	24	25000	558
335681	LV.F-100-24-AS-SST-M20x198	100	M20	241	244	198	43	24	24	25000	643
335725	LV.F-100-24-AS-SST-M24x98	100	M24	141	144	98	43	24	24	25000	538
335761	LV.F-100-24-AS-SST-M24x158	100	M24	201	204	158	43	24	24	25000	713
335781	LV.F-100-24-AS-SST-M24x198	100	M24	241	244	198	43	24	24	25000	834
336221	LV.F-125-24-AS-SST-M16x58	125	M16	125	128	58	67	24	24	28000	524
336225	LV.F-125-24-AS-SST-M16x98	125	M16	165	168	98	67	24	24	28000	576
336241	LV.F-125-24-AS-SST-M16x138	125	M16	205	208	138	67	24	24	28000	627
336261	LV.F-125-24-AS-SST-M16x158	125	M16	225	228	158	67	24	24	28000	655
336325	LV.F-125-24-AS-SST-M20x98	125	M20	165	168	98	67	24	24	28000	648
336341	LV.F-125-24-AS-SST-M20x138	125	M20	205	208	138	67	24	24	28000	728
336361	LV.F-125-24-AS-SST-M20x158	125	M20	225	228	158	67	24	24	28000	768
336381	LV.F-125-24-AS-SST-M20x198	125	M20	265	268	198	67	24	24	28000	853
336425	LV.F-125-24-AS-SST-M24x98	125	M24	165	168	98	67	24	24	28000	748
336461	LV.F-125-24-AS-SST-M24x158	125	M24	225	228	158	67	24	24	28000	923
336481	LV.F-125-24-AS-SST-M24x198	125	M24	265	268	198	67	24	24	28000	1044

* The max static load is the value above which the load applied to the element may cause some plastic material breakage, in particular conditions of use. Obviously, a factor that takes into consideration the importance and the safety level of the specific application must be applied to this value.