

INDEX DOCUMENTS

- Technical data sheet [PDF](#)
- Manuals/Instructions [PDF](#)

elesa[®]

Levelling elements for ground mounting



- Base**
 Glass-fibre reinforced polyamide based (PA) technopolymer. Resistant to solvents, oils, greases and other chemical agents.
- Colour**
 Black, matte finish.
- Articulated stem**
 Threaded zinc-plated steel with regulation hexagon.
- Standard executions**
 - LV.F: without no-slip disk.
 - LV.F-AS: with NBR rubber no-slip disk, hardness 70 Shore A, supplied assembled to the base.
- Ground mounting**
 By means of two holes at 180°, supplied covered by a diaphragm (which can be easily removed by a metal tool), to avoid all unhealthy deposits of dirt and dust when the ground mounting is not required (see Fig. 1).

Features and applications

The special knurling under the lower lip of the base provides excellent stability and grip when using the levelling element without no-slip disk even on surfaces that are not perfectly flat.

The particular assembling system of the no-slip disk to the base assures a perfect anchoring, preventing separation even in case of impact during transport or of adhesion (sticking) to the floor (see No-slip disk).

Order information

The levelling elements are supplied unassembled to make carriage and storage easier. The components (base and stem) are supplied in separate packing: less volume taken and better protection from scratches and dirt. To order bases and stems separately, see codes of the Bases and of the Stems.

Accessories on request

Zinc-plated steel nut (see Nuts NT.).

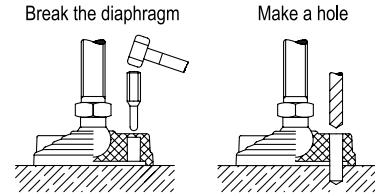
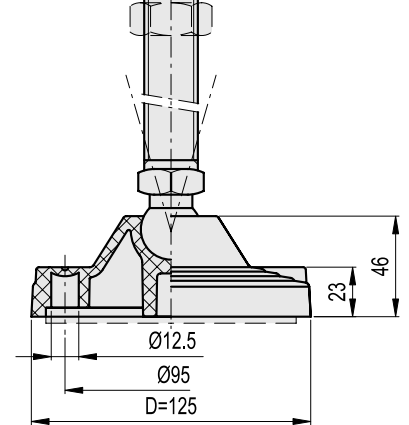
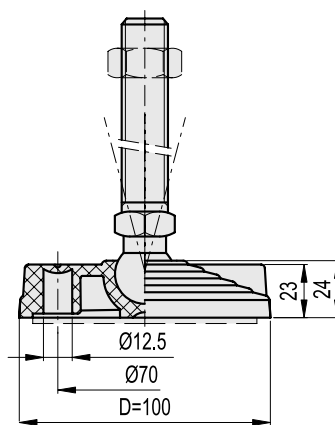
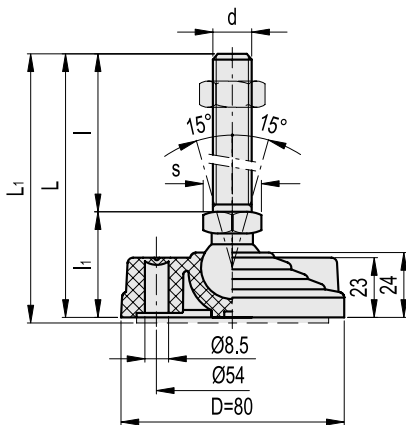


Fig.1


LV.F-80

LV.F-100

LV.F-125




LV.F

Code	Description	D	d	L	l	l ₁	s	Articulation ∅	Max. limit stati load* [N]	
311121	LV.F-80-14-M8x43	80	M8	76	43	33	14	14	16000	85
311125	LV.F-80-14-M8x68	80	M8	101	68	33	14	14	16000	97
311221	LV.F-80-14-M10x43	80	M10	76	43	33	14	14	16000	94
311225	LV.F-80-14-M10x68	80	M10	101	68	33	14	14	16000	106
311231	LV.F-80-14-M10x98	80	M10	131	98	33	14	14	16000	120
311321	LV.F-80-14-M12x43	80	M12	76	43	33	14	14	16000	104
311325	LV.F-80-14-M12x68	80	M12	101	68	33	14	14	16000	121
311331	LV.F-80-14-M12x98	80	M12	131	98	33	14	14	16000	142
311521	LV.F-80-14-M16x68	80	M16	101	68	33	16	14	16000	165
311525	LV.F-80-14-M16x108	80	M16	141	108	33	16	14	16000	217
311541	LV.F-80-14-M16x148	80	M16	181	148	33	16	14	16000	269
311561	LV.F-80-14-M16x168	80	M16	201	168	33	16	14	16000	295
311621	LV.F-80-24-M16x58	80	M16	101	58	43	24	24	18000	227
311625	LV.F-80-24-M16x98	80	M16	141	98	43	24	24	18000	278
311641	LV.F-80-24-M16x138	80	M16	181	138	43	24	24	18000	328
311661	LV.F-80-24-M16x158	80	M16	201	158	43	24	24	18000	355
311725	LV.F-80-24-M20x98	80	M20	141	98	43	24	24	18000	348
311741	LV.F-80-24-M20x138	80	M20	181	138	43	24	24	18000	427
311761	LV.F-80-24-M20x158	80	M20	201	158	43	24	24	18000	466
311781	LV.F-80-24-M20x198	80	M20	241	198	43	24	24	18000	549
311825	LV.F-80-24-M24x98	80	M24	141	98	43	24	24	18000	446
311861	LV.F-80-24-M24x158	80	M24	201	158	43	24	24	18000	618
311881	LV.F-80-24-M24x198	80	M24	241	198	43	24	24	18000	736
312451	LV.F-100-14-M8x43	100	M8	76	43	33	14	14	18000	93
312453	LV.F-100-14-M8x68	100	M8	101	68	33	14	14	18000	105
312461	LV.F-100-14-M10x43	100	M10	76	43	33	14	14	18000	102
312463	LV.F-100-14-M10x68	100	M10	101	68	33	14	14	18000	114
312465	LV.F-100-14-M10x98	100	M10	131	98	33	14	14	18000	128
312471	LV.F-100-14-M12x43	100	M12	76	43	33	14	14	18000	112
312473	LV.F-100-14-M12x68	100	M12	101	68	33	14	14	18000	129
312475	LV.F-100-14-M12x98	100	M12	131	98	33	14	14	18000	150
312481	LV.F-100-14-M16x68	100	M16	101	68	33	16	14	18000	173
312483	LV.F-100-14-M16x108	100	M16	141	108	33	16	14	18000	225
312485	LV.F-100-14-M16x148	100	M16	181	148	33	16	14	18000	277
312487	LV.F-100-14-M16x168	100	M16	201	168	33	16	14	18000	303
312521	LV.F-100-24-M16x58	100	M16	101	58	43	24	24	25000	257
312525	LV.F-100-24-M16x98	100	M16	141	98	43	24	24	25000	308
312541	LV.F-100-24-M16x138	100	M16	181	138	43	24	24	25000	358
312561	LV.F-100-24-M16x158	100	M16	201	158	43	24	24	25000	385
312625	LV.F-100-24-M20x98	100	M20	141	98	43	24	24	25000	378
312641	LV.F-100-24-M20x138	100	M20	181	138	43	24	24	25000	457
312661	LV.F-100-24-M20x158	100	M20	201	158	43	24	24	25000	496
312681	LV.F-100-24-M20x198	100	M20	241	198	43	24	24	25000	579
312725	LV.F-100-24-M24x98	100	M24	141	98	43	24	24	25000	476
312761	LV.F-100-24-M24x158	100	M24	201	158	43	24	24	25000	648
312781	LV.F-100-24-M24x198	100	M24	241	198	43	24	24	25000	766
313521	LV.F-125-24-M16x58	125	M16	125	58	67	24	24	28000	396
313525	LV.F-125-24-M16x98	125	M16	165	98	67	24	24	28000	447
313541	LV.F-125-24-M16x138	125	M16	205	138	67	24	24	28000	497
313561	LV.F-125-24-M16x158	125	M16	225	158	67	24	24	28000	524
313625	LV.F-125-24-M20x98	125	M20	165	98	67	24	24	28000	517
313641	LV.F-125-24-M20x138	125	M20	205	138	67	24	24	28000	596
313661	LV.F-125-24-M20x158	125	M20	225	158	67	24	24	28000	635
313681	LV.F-125-24-M20x198	125	M20	265	198	67	24	24	28000	718
313725	LV.F-125-24-M24x98	125	M24	165	98	67	24	24	28000	615
313761	LV.F-125-24-M24x158	125	M24	225	158	67	24	24	28000	787
313781	LV.F-125-24-M24x198	125	M24	265	198	67	24	24	28000	905

* The max static load is the value above which the load applied to the element may cause some plastic material breakage, in particular conditions of use. Obviously, a factor that takes into consideration the importance and the safety level of the specific application must be applied to this value.

LV.F-AS

Code	Description	D	d	L	L ₁	l	l ₁	s	Articulation ∅	Max. limit stati load* [N]	
314121	LV.F-80-14-AS-M8x43	80	M8	76	79	43	33	14	14	16000	111
314125	LV.F-80-14-AS-M8x68	80	M8	101	104	68	33	14	14	16000	123
314221	LV.F-80-14-AS-M10x43	80	M10	76	79	43	33	14	14	16000	120
314225	LV.F-80-14-AS-M10x68	80	M10	101	104	68	33	14	14	16000	132
314231	LV.F-80-14-AS-M10x98	80	M10	131	134	98	33	14	14	16000	146
314321	LV.F-80-14-AS-M12x43	80	M12	76	79	43	33	14	14	16000	130
314325	LV.F-80-14-AS-M12x68	80	M12	101	104	68	33	14	14	16000	147
314331	LV.F-80-14-AS-M12x98	80	M12	131	134	98	33	14	14	16000	168
314521	LV.F-80-14-AS-M16x68	80	M16	101	104	68	33	16	14	16000	191
314525	LV.F-80-14-AS-M16x108	80	M16	141	144	108	33	16	14	16000	243
314541	LV.F-80-14-AS-M16x148	80	M16	181	184	148	33	16	14	16000	295
314561	LV.F-80-14-AS-M16x168	80	M16	201	204	168	33	16	14	16000	321
314621	LV.F-80-24-AS-M16x58	80	M16	101	104	58	43	24	24	18000	253
314625	LV.F-80-24-AS-M16x98	80	M16	141	144	98	43	24	24	18000	304
314641	LV.F-80-24-AS-M16x138	80	M16	181	184	138	43	24	24	18000	354
314661	LV.F-80-24-AS-M16x158	80	M16	201	204	158	43	24	24	18000	381
314725	LV.F-80-24-AS-M20x98	80	M20	141	144	98	43	24	24	18000	374
314741	LV.F-80-24-AS-M20x138	80	M20	181	184	138	43	24	24	18000	453
314761	LV.F-80-24-AS-M20x158	80	M20	201	204	158	43	24	24	18000	492
314781	LV.F-80-24-AS-M20x198	80	M20	241	244	198	43	24	24	18000	575
314825	LV.F-80-24-AS-M24x98	80	M24	141	144	98	43	24	24	18000	472
314861	LV.F-80-24-AS-M24x158	80	M24	201	204	158	43	24	24	18000	644
314881	LV.F-80-24-AS-M24x198	80	M24	241	244	198	43	24	24	18000	762
315451	LV.F-100-14-AS-M8x43	100	M8	76	79	43	33	14	14	18000	148
315453	LV.F-100-14-AS-M8x68	100	M8	101	104	68	33	14	14	18000	160
315461	LV.F-100-14-AS-M10x43	100	M10	76	79	43	33	14	14	18000	157
315463	LV.F-100-14-AS-M10x68	100	M10	101	104	68	33	14	14	18000	169
315465	LV.F-100-14-AS-M10x98	100	M10	131	134	98	33	14	14	18000	183
315471	LV.F-100-14-AS-M12x43	100	M12	76	79	43	33	14	14	18000	167
315473	LV.F-100-14-AS-M12x68	100	M12	101	104	68	33	14	14	18000	184
315475	LV.F-100-14-AS-M12x98	100	M12	131	134	98	33	14	14	18000	205
315481	LV.F-100-14-AS-M16x68	100	M16	101	104	68	33	16	14	18000	228
315483	LV.F-100-14-AS-M16x108	100	M16	141	144	108	33	16	14	18000	280
315485	LV.F-100-14-AS-M16x148	100	M16	181	184	148	33	16	14	18000	332
315487	LV.F-100-14-AS-M16x168	100	M16	201	204	168	33	16	14	18000	358
315521	LV.F-100-24-AS-M16x58	100	M16	101	104	58	43	24	24	25000	311
315525	LV.F-100-24-AS-M16x98	100	M16	141	144	98	43	24	24	25000	362
315541	LV.F-100-24-AS-M16x138	100	M16	181	184	138	43	24	24	25000	412
315561	LV.F-100-24-AS-M16x158	100	M16	201	204	158	43	24	24	25000	439
315625	LV.F-100-24-AS-M20x98	100	M20	141	144	98	43	24	24	25000	432
315641	LV.F-100-24-AS-M20x138	100	M20	181	184	138	43	24	24	25000	511
315661	LV.F-100-24-AS-M20x158	100	M20	201	204	158	43	24	24	25000	550
315681	LV.F-100-24-AS-M20x198	100	M20	241	244	198	43	24	24	25000	633
315725	LV.F-100-24-AS-M24x98	100	M24	141	144	98	43	24	24	25000	530
315761	LV.F-100-24-AS-M24x158	100	M24	201	204	158	43	24	24	25000	702
315781	LV.F-100-24-AS-M24x198	100	M24	241	244	198	43	24	24	25000	820
316221	LV.F-125-24-AS-M16x58	125	M16	125	128	58	67	24	24	28000	521
316225	LV.F-125-24-AS-M16x98	125	M16	165	168	98	67	24	24	28000	572
316241	LV.F-125-24-AS-M16x138	125	M16	205	208	138	67	24	24	28000	622
316261	LV.F-125-24-AS-M16x158	125	M16	225	228	158	67	24	24	28000	649
316325	LV.F-125-24-AS-M20x98	125	M20	165	168	98	67	24	24	28000	642
316341	LV.F-125-24-AS-M20x138	125	M20	205	208	138	67	24	24	28000	721
316361	LV.F-125-24-AS-M20x158	125	M20	225	228	158	67	24	24	28000	760
316381	LV.F-125-24-AS-M20x198	125	M20	265	268	198	67	24	24	28000	843
316425	LV.F-125-24-AS-M24x98	125	M24	165	168	98	67	24	24	28000	740
316461	LV.F-125-24-AS-M24x158	125	M24	225	228	158	67	24	24	28000	912
316481	LV.F-125-24-AS-M24x198	125	M24	265	268	198	67	24	24	28000	1030

* The max static load is the value above which the load applied to the element may cause some plastic material breakage, in particular conditions of use. Obviously, a factor that takes into consideration the importance and the safety level of the specific application must be applied to this value.



- Rompere il diaframma
- Break the diaphragm
- Rompre le diaphragme
- Brechen die Membran

- Forare
- Drill
- Percer
- durchstechen

