

Levelling elements with antistatic base



• Base

Special conductive glass-fibre reinforced polyamide based (PA) technopolymer. Resistant to solvents oils, greases and other chemical agents.

Surface resistivity = $10^3 \Omega$ (ASTM D257 measuring method).

Volume resistivity = $10^3 \Omega\text{cm}$ (ASTM D257 measuring method).

• Colour

Black, matte finish.

• Articulated stem

Threaded AISI 304 stainless steel with regulation hexagon.

• Standard executions

- LV.A-SST-ESC-C: without no-slip disk.

- LV.A-AS-SST-ESD-C: with NBR rubber no-slip disk, hardness 70 Shore A, supplied assembled to the base.

Surface resistivity = $10^3 \Omega$ (ASTM D257 measuring method).

Volume resistivity = $10^3 \Omega\text{cm}$ (ASTM D257 measuring method).

Features and applications

The special conductive technopolymer (ESD-C Electrostatic Discharge Conductive) prevents the accumulation of electrostatic charge.

The bases are suitable for "ESD PROTECTED AREA" (EPA) where components, which are susceptible to electrostatic discharges, are handled. The (ESD-C) indelibly printed mark on the surface of the levelling elements bases identifies the particular conductive features of the material according to EN 100015/1 and IEC 61340-5-1. The special knurling under the lower lip of the base provides excellent stability and grip when using the levelling element without no-slip disk even on surfaces that are not perfectly flat.

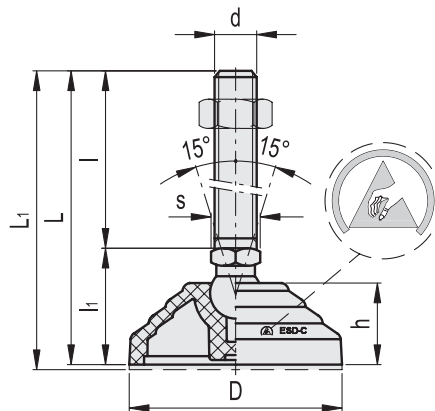
The particular assembling system of the no-slip disk to the base assures a perfect anchoring, preventing separation even in case of impact during transport or of adhesion (sticking) to the floor (see No-slip disk).

Order information


The levelling elements are supplied unassembled to make carriage and storage easier. The components (base and stem) are supplied in separate packing: less volume taken and better protection from scratches and dirt. To order bases and stems separately, see codes of the Bases and of the Stems.

Accessories on request

Stainless steel nut (see Nuts NT).




LVA-SST-ESD-C

Code	Description	D	d	L	l	l _i	h	s	Articulation ∅	Max. limit stati load* [N]	
323121-ESD	LVA-60-14-SST-M8x43-ESD-C	60	M8	76	43	33	24	14	14	14000	63
323125-ESD	LVA-60-14-SST-M8x68-ESD-C	60	M8	101	68	33	24	14	14	14000	75
323221-ESD	LVA-60-14-SST-M10x43-ESD-C	60	M10	76	43	33	24	14	14	14000	72
323225-ESD	LVA-60-14-SST-M10x68-ESD-C	60	M10	101	68	33	24	14	14	14000	85
323231-ESD	LVA-60-14-SST-M10x98-ESD-C	60	M10	131	98	33	24	14	14	14000	99
323321-ESD	LVA-60-14-SST-M12x43-ESD-C	60	M12	76	43	33	24	14	14	14000	82
323325-ESD	LVA-60-14-SST-M12x68-ESD-C	60	M12	101	68	33	24	14	14	14000	100
323331-ESD	LVA-60-14-SST-M12x98-ESD-C	60	M12	131	98	33	24	14	14	14000	122
323521-ESD	LVA-60-14-SST-M16x68-ESD-C	60	M16	101	68	33	24	16	14	14000	145
323525-ESD	LVA-60-14-SST-M16x108-ESD-C	60	M16	141	108	33	24	16	14	14000	199
323541-ESD	LVA-60-14-SST-M16x148-ESD-C	60	M16	181	148	33	24	16	14	14000	252
323561-ESD	LVA-60-14-SST-M16x168-ESD-C	60	M16	201	168	33	24	16	14	14000	279
323621-ESD	LVA-60-24-SST-M16x58-ESD-C	60	M16	101	58	43	24	24	24	18000	208
323625-ESD	LVA-60-24-SST-M16x98-ESD-C	60	M16	141	98	43	24	24	24	18000	260
323641-ESD	LVA-60-24-SST-M16x138-ESD-C	60	M16	181	138	43	24	24	24	18000	311
323661-ESD	LVA-60-24-SST-M16x158-ESD-C	60	M16	201	158	43	24	24	24	18000	339
323725-ESD	LVA-60-24-SST-M20x98-ESD-C	60	M20	141	98	43	24	24	24	18000	332
323741-ESD	LVA-60-24-SST-M20x138-ESD-C	60	M20	181	138	43	24	24	24	18000	412
323761-ESD	LVA-60-24-SST-M20x158-ESD-C	60	M20	201	158	43	24	24	24	18000	452
323781-ESD	LVA-60-24-SST-M20x198-ESD-C	60	M20	241	198	43	24	24	24	18000	537
323825-ESD	LVA-60-24-SST-M24x98-ESD-C	60	M24	141	98	43	24	24	24	18000	432
323861-ESD	LVA-60-24-SST-M24x158-ESD-C	60	M24	201	158	43	24	24	24	18000	607
323881-ESD	LVA-60-24-SST-M24x198-ESD-C	60	M24	241	198	43	24	24	24	18000	728
324005-ESD	LVA-70-14-SST-M8x43-ESD-C	70	M8	71	43	28	19	14	14	14000	61
324011-ESD	LVA-70-14-SST-M8x68-ESD-C	70	M8	96	68	28	19	14	14	14000	73
324021-ESD	LVA-70-14-SST-M10x43-ESD-C	70	M10	71	43	28	19	14	14	14000	70
324025-ESD	LVA-70-14-SST-M10x68-ESD-C	70	M10	96	68	28	19	14	14	14000	84
324031-ESD	LVA-70-14-SST-M10x98-ESD-C	70	M10	126	98	28	19	14	14	14000	97
324061-ESD	LVA-70-14-SST-M12x43-ESD-C	70	M12	71	43	28	19	14	14	14000	80
324065-ESD	LVA-70-14-SST-M12x68-ESD-C	70	M12	96	68	28	19	14	14	14000	98
324071-ESD	LVA-70-14-SST-M12x98-ESD-C	70	M12	126	98	28	19	14	14	14000	120
324101-ESD	LVA-70-14-SST-M16x68-ESD-C	70	M16	96	68	28	19	16	14	14000	143
324105-ESD	LVA-70-14-SST-M16x108-ESD-C	70	M16	136	108	28	19	16	14	14000	197
324111-ESD	LVA-70-14-SST-M16x148-ESD-C	70	M16	176	148	28	19	16	14	14000	250
324115-ESD	LVA-70-14-SST-M16x168-ESD-C	70	M16	196	168	28	19	16	14	14000	277
324121-ESD	LVA-80-14-SST-M8x43-ESD-C	80	M8	76	43	33	24	14	14	16000	84
324125-ESD	LVA-80-14-SST-M8x68-ESD-C	80	M8	101	68	33	24	14	14	16000	96
324221-ESD	LVA-80-14-SST-M10x43-ESD-C	80	M10	76	43	33	24	14	14	16000	93
324225-ESD	LVA-80-14-SST-M10x68-ESD-C	80	M10	101	68	33	24	14	14	16000	106
324231-ESD	LVA-80-14-SST-M10x98-ESD-C	80	M10	131	98	33	24	14	14	16000	120
324321-ESD	LVA-80-14-SST-M12x43-ESD-C	80	M12	76	43	33	24	14	14	16000	103
324325-ESD	LVA-80-14-SST-M12x68-ESD-C	80	M12	101	68	33	24	14	14	16000	121
324331-ESD	LVA-80-14-SST-M12x98-ESD-C	80	M12	131	98	33	24	14	14	16000	143
324521-ESD	LVA-80-14-SST-M16x68-ESD-C	80	M16	101	68	33	24	16	14	16000	166


* The max static load is the value above which the load applied to the element may cause some plastic material breakage, in particular conditions of use. Obviously, a factor that takes into consideration the importance and the safety level of the specific application must be applied to this value.

LV.A-SST-ESD-C

Code	Description	D	d	L	l	l ₁	h	s	Articulation ∅	Max. limit stati load* [N]	
324525-ESD	LV.A-80-14-SST-M16x108-ESD-C	80	M16	141	108	33	24	16	14	16000	220
324541-ESD	LV.A-80-14-SST-M16x148-ESD-C	80	M16	181	148	33	24	16	14	16000	273
324561-ESD	LV.A-80-14-SST-M16x168-ESD-C	80	M16	201	168	33	24	16	14	16000	300
324621-ESD	LV.A-80-24-SST-M16x58-ESD-C	80	M16	101	58	43	24	24	24	18000	228
324625-ESD	LV.A-80-24-SST-M16x98-ESD-C	80	M16	141	98	43	24	24	24	18000	280
324641-ESD	LV.A-80-24-SST-M16x138-ESD-C	80	M16	181	138	43	24	24	24	18000	331
324661-ESD	LV.A-80-24-SST-M16x158-ESD-C	80	M16	201	158	43	24	24	24	18000	359
324725-ESD	LV.A-80-24-SST-M20x98-ESD-C	80	M20	141	98	43	24	24	24	18000	352
324741-ESD	LV.A-80-24-SST-M20x138-ESD-C	80	M20	181	138	43	24	24	24	18000	432
324761-ESD	LV.A-80-24-SST-M20x158-ESD-C	80	M20	201	158	43	24	24	24	18000	472
324781-ESD	LV.A-80-24-SST-M20x198-ESD-C	80	M20	241	198	43	24	24	24	18000	577
324825-ESD	LV.A-80-24-SST-M24x98-ESD-C	80	M24	141	98	43	24	24	24	18000	452
324861-ESD	LV.A-80-24-SST-M24x158-ESD-C	80	M24	201	158	43	24	24	24	18000	627
324881-ESD	LV.A-80-24-SST-M24x198-ESD-C	80	M24	241	198	43	24	24	24	18000	748
325451-ESD	LV.A-100-14-SST-M8x43-ESD-C	100	M8	76	43	33	24	14	14	18000	91
325453-ESD	LV.A-100-14-SST-M8x68-ESD-C	100	M8	101	68	33	24	14	14	18000	103
325461-ESD	LV.A-100-14-SST-M10x43-ESD-C	100	M10	76	43	33	24	14	14	18000	100
325463-ESD	LV.A-100-14-SST-M10x68-ESD-C	100	M10	101	68	33	24	14	14	18000	112
325465-ESD	LV.A-100-14-SST-M10x98-ESD-C	100	M10	131	98	33	24	14	14	18000	126
325471-ESD	LV.A-100-14-SST-M12x43-ESD-C	100	M12	76	43	33	24	14	14	18000	110
325473-ESD	LV.A-100-14-SST-M12x68-ESD-C	100	M12	101	68	33	24	14	14	18000	127
325475-ESD	LV.A-100-14-SST-M12x98-ESD-C	100	M12	131	98	33	24	14	14	18000	148
325481-ESD	LV.A-100-14-SST-M16x68-ESD-C	100	M16	101	68	33	24	16	14	18000	171
325483-ESD	LV.A-100-14-SST-M16x108-ESD-C	100	M16	141	108	33	24	16	14	18000	223
325485-ESD	LV.A-100-14-SST-M16x148-ESD-C	100	M16	181	148	33	24	16	14	18000	275
325487-ESD	LV.A-100-14-SST-M16x168-ESD-C	100	M16	201	168	33	24	16	14	18000	301
325521-ESD	LV.A-100-24-SST-M16x58-ESD-C	100	M16	101	58	43	24	24	24	25000	254
325525-ESD	LV.A-100-24-SST-M16x98-ESD-C	100	M16	141	98	43	24	24	24	25000	357
325541-ESD	LV.A-100-24-SST-M16x138-ESD-C	100	M16	181	138	43	24	24	24	25000	357
325561-ESD	LV.A-100-24-SST-M16x158-ESD-C	100	M16	201	158	43	24	24	24	25000	385
325625-ESD	LV.A-100-24-SST-M20x98-ESD-C	100	M20	141	98	43	24	24	24	25000	378
325641-ESD	LV.A-100-24-SST-M20x138-ESD-C	100	M20	181	138	43	24	24	24	25000	458
325661-ESD	LV.A-100-24-SST-M20x158-ESD-C	100	M20	201	158	43	24	24	24	25000	498
325681-ESD	LV.A-100-24-SST-M20x198-ESD-C	100	M20	241	198	43	24	24	24	25000	583
325725-ESD	LV.A-100-24-SST-M24x98-ESD-C	100	M24	141	98	43	24	24	24	25000	478
325761-ESD	LV.A-100-24-SST-M24x158-ESD-C	100	M24	201	158	43	24	24	24	25000	653
325781-ESD	LV.A-100-24-SST-M24x198-ESD-C	100	M24	241	198	43	24	24	24	25000	774
326521-ESD	LV.A-125-24-SST-M16x58-ESD-C	125	M16	125	58	67	46	24	24	28000	389
326525-ESD	LV.A-125-24-SST-M16x98-ESD-C	125	M16	165	98	67	46	24	24	28000	441
326541-ESD	LV.A-125-24-SST-M16x138-ESD-C	125	M16	205	138	67	46	24	24	28000	492
326561-ESD	LV.A-125-24-SST-M16x158-ESD-C	125	M16	225	158	67	46	24	24	28000	520
326625-ESD	LV.A-125-24-SST-M20x98-ESD-C	125	M20	165	98	67	46	24	24	28000	513
326641-ESD	LV.A-125-24-SST-M20x138-ESD-C	125	M20	205	138	67	46	24	24	28000	633
326661-ESD	LV.A-125-24-SST-M20x158-ESD-C	125	M20	225	158	67	46	24	24	28000	633
326681-ESD	LV.A-125-24-SST-M20x198-ESD-C	125	M20	265	198	67	46	24	24	28000	718
326725-ESD	LV.A-125-24-SST-M24x98-ESD-C	125	M24	165	98	67	46	24	24	28000	613
326761-ESD	LV.A-125-24-SST-M24x158-ESD-C	125	M24	225	158	67	46	24	24	28000	788
326781-ESD	LV.A-125-24-SST-M24x198-ESD-C	125	M24	265	198	67	46	24	24	28000	909


* The max static load is the value above which the load applied to the element may cause some plastic material breakage, in particular conditions of use. Obviously, a factor that takes into consideration the importance and the safety level of the specific application must be applied to this value.

LVA-AS-SST-ESD-C

Code	Description	D	d	L	L ₁	l	l ₁	h	s	Articulation ∅	Max. limit stati load* [N]	
327121-ESD	LVA-60-14-AS-SST-M8x43-ESD-C	60	M8	76	79	43	33	24	14	14	14000	82
327125-ESD	LVA-60-14-AS-SST-M8x68-ESD-C	60	M8	101	104	68	33	24	14	14	14000	94
327221-ESD	LVA-60-14-AS-SST-M10x43-ESD-C	60	M10	76	79	43	33	24	14	14	14000	91
327225-ESD	LVA-60-14-AS-SST-M10x68-ESD-C	60	M10	101	104	68	33	24	14	14	14000	104
327231-ESD	LVA-60-14-AS-SST-M10x98-ESD-C	60	M10	131	134	98	33	24	14	14	14000	118
327321-ESD	LVA-60-14-AS-SST-M12x43-ESD-C	60	M12	76	79	43	33	24	14	14	14000	101
327325-ESD	LVA-60-14-AS-SST-M12x68-ESD-C	60	M12	101	104	68	33	24	14	14	14000	119
327331-ESD	LVA-60-14-AS-SST-M12x98-ESD-C	60	M12	131	134	98	33	24	14	14	14000	141
327521-ESD	LVA-60-14-AS-SST-M16x68-ESD-C	60	M16	101	104	68	33	24	16	14	14000	164
327525-ESD	LVA-60-14-AS-SST-M16x108-ESD-C	60	M16	141	144	108	33	24	16	14	14000	218
327541-ESD	LVA-60-14-AS-SST-M16x148-ESD-C	60	M16	181	184	148	33	24	16	14	14000	271
327561-ESD	LVA-60-14-AS-SST-M16x168-ESD-C	60	M16	201	204	168	33	24	16	14	14000	298
327621-ESD	LVA-60-24-AS-SST-M16x58-ESD-C	60	M16	101	104	58	43	24	24	24	18000	227
327625-ESD	LVA-60-24-AS-SST-M16x98-ESD-C	60	M16	141	144	98	43	24	24	24	18000	279
327641-ESD	LVA-60-24-AS-SST-M16x138-ESD-C	60	M16	181	184	138	43	24	24	24	18000	330
327661-ESD	LVA-60-24-AS-SST-M16x158-ESD-C	60	M16	201	204	158	43	24	24	24	18000	358
327725-ESD	LVA-60-24-AS-SST-M20x98-ESD-C	60	M20	141	144	98	43	24	24	24	18000	351
327741-ESD	LVA-60-24-AS-SST-M20x138-ESD-C	60	M20	181	184	138	43	24	24	24	18000	431
327761-ESD	LVA-60-24-AS-SST-M20x158-ESD-C	60	M20	201	204	158	43	24	24	24	18000	471
327781-ESD	LVA-60-24-AS-SST-M20x198-ESD-C	60	M20	241	244	198	43	24	24	24	18000	556
327825-ESD	LVA-60-24-AS-SST-M24x98-ESD-C	60	M24	141	144	98	43	24	24	24	18000	451
327861-ESD	LVA-60-24-AS-SST-M24x158-ESD-C	60	M24	201	204	158	43	24	24	24	18000	626
327881-ESD	LVA-60-24-AS-SST-M24x198-ESD-C	60	M24	241	244	198	43	24	24	24	18000	747
328005-ESD	LVA-70-14-AS-SST-M8x43-ESD-C	70	M8	71	74	43	28	19	14	14	14000	81
328011-ESD	LVA-70-14-AS-SST-M8x68-ESD-C	70	M8	96	99	68	28	19	14	14	14000	93
328021-ESD	LVA-70-14-AS-SST-M10x43-ESD-C	70	M10	71	74	43	28	19	14	14	14000	90
328025-ESD	LVA-70-14-AS-SST-M10x68-ESD-C	70	M10	96	99	68	28	19	14	14	14000	103
328031-ESD	LVA-70-14-AS-SST-M10x98-ESD-C	70	M10	126	129	98	28	19	14	14	14000	117
328061-ESD	LVA-70-14-AS-SST-M12x43-ESD-C	70	M12	71	74	43	28	19	14	14	14000	100
328065-ESD	LVA-70-14-AS-SST-M12x68-ESD-C	70	M12	96	99	68	28	19	14	14	14000	118
328071-ESD	LVA-70-14-AS-SST-M12x98-ESD-C	70	M12	126	129	98	28	19	14	14	14000	140
328101-ESD	LVA-70-14-AS-SST-M16x68-ESD-C	70	M16	96	99	68	28	19	16	14	14000	163
328105-ESD	LVA-70-14-AS-SST-M16x108-ESD-C	70	M16	136	139	108	28	19	16	14	14000	217
328111-ESD	LVA-70-14-AS-SST-M16x148-ESD-C	70	M16	176	179	148	28	19	16	14	14000	270
328115-ESD	LVA-70-14-AS-SST-M16x168-ESD-C	70	M16	196	199	168	28	19	16	14	14000	297
328121-ESD	LVA-80-14-AS-SST-M8x43-ESD-C	80	M8	76	79	43	33	24	14	14	16000	110
328125-ESD	LVA-80-14-AS-SST-M8x68-ESD-C	80	M8	101	104	68	33	24	14	14	16000	122
328221-ESD	LVA-80-14-AS-SST-M10x43-ESD-C	80	M10	76	79	43	33	24	14	14	16000	119
328225-ESD	LVA-80-14-AS-SST-M10x68-ESD-C	80	M10	101	104	68	33	24	14	14	16000	132
328231-ESD	LVA-80-14-AS-SST-M10x98-ESD-C	80	M10	131	134	98	33	24	14	14	16000	146
328321-ESD	LVA-80-14-AS-SST-M12x43-ESD-C	80	M12	76	79	43	33	24	14	14	16000	129
328325-ESD	LVA-80-14-AS-SST-M12x68-ESD-C	80	M12	101	104	68	33	24	14	14	16000	147
328331-ESD	LVA-80-14-AS-SST-M12x98-ESD-C	80	M12	131	134	98	33	24	14	14	16000	169
328521-ESD	LVA-80-14-AS-SST-M16x68-ESD-C	80	M16	101	104	68	33	24	16	14	16000	192

* The max static load is the value above which the load applied to the element may cause some plastic material breakage, in particular conditions of use. Obviously, a factor that takes into consideration the importance and the safety level of the specific application must be applied to this value.

LV.A-AS-SST-ESD-C

Code	Description	D	d	L	L ₁	l	l ₁	h	s	Articulation ∅	Max. limit stati load* [N]	
328525-ESD	LV.A-80-14-AS-SST-M16x108-ESD-C	80	M16	141	144	108	33	24	16	14	16000	246
328541-ESD	LV.A-80-14-AS-SST-M16x148-ESD-C	80	M16	181	184	148	33	24	16	14	16000	299
328561-ESD	LV.A-80-14-AS-SST-M16x168-ESD-C	80	M16	201	204	168	33	24	16	14	16000	326
328621-ESD	LV.A-80-24-AS-SST-M16x58-ESD-C	80	M16	101	104	58	43	24	24	24	18000	254
328625-ESD	LV.A-80-24-AS-SST-M16x98-ESD-C	80	M16	141	144	98	43	24	24	24	18000	306
328641-ESD	LV.A-80-24-AS-SST-M16x138-ESD-C	80	M16	181	184	138	43	24	24	24	18000	357
328661-ESD	LV.A-80-24-AS-SST-M16x158-ESD-C	80	M16	201	204	158	43	24	24	24	18000	385
328725-ESD	LV.A-80-24-AS-SST-M20x98-ESD-C	80	M20	141	144	98	43	24	24	24	18000	378
328741-ESD	LV.A-80-24-AS-SST-M20x138-ESD-C	80	M20	181	184	138	43	24	24	24	18000	458
328761-ESD	LV.A-80-24-AS-SST-M20x158-ESD-C	80	M20	201	204	158	43	24	24	24	18000	498
328781-ESD	LV.A-80-24-AS-SST-M20x198-ESD-C	80	M20	241	244	198	43	24	24	24	18000	583
328825-ESD	LV.A-80-24-AS-SST-M24x98-ESD-C	80	M24	141	144	98	43	24	24	24	18000	478
328861-ESD	LV.A-80-24-AS-SST-M24x158-ESD-C	80	M24	201	204	158	43	24	24	24	18000	653
328881-ESD	LV.A-80-24-AS-SST-M24x198-ESD-C	80	M24	241	244	198	43	24	24	24	18000	774
329451-ESD	LV.A-100-14-AS-SST-M8x43-ESD-C	100	M8	76	79	43	33	24	14	14	18000	146
329453-ESD	LV.A-100-14-AS-SST-M8x68-ESD-C	100	M8	101	104	68	33	24	14	14	18000	158
329461-ESD	LV.A-100-14-AS-SST-M10x43-ESD-C	100	M10	76	79	43	33	24	14	14	18000	155
329463-ESD	LV.A-100-14-AS-SST-M10x68-ESD-C	100	M10	101	104	68	33	24	14	14	18000	167
329465-ESD	LV.A-100-14-AS-SST-M10x98-ESD-C	100	M10	131	134	98	33	24	14	14	18000	181
329471-ESD	LV.A-100-14-AS-SST-M12x43-ESD-C	100	M12	76	79	43	33	24	14	14	18000	165
329473-ESD	LV.A-100-14-AS-SST-M12x68-ESD-C	100	M12	101	104	68	33	24	14	14	18000	182
329475-ESD	LV.A-100-14-AS-SST-M12x98-ESD-C	100	M12	131	134	98	33	24	14	14	18000	203
329481-ESD	LV.A-100-14-AS-SST-M16x68-ESD-C	100	M16	101	104	68	33	24	16	14	18000	226
329483-ESD	LV.A-100-14-AS-SST-M16x108-ESD-C	100	M16	141	144	108	33	24	16	14	18000	278
329485-ESD	LV.A-100-14-AS-SST-M16x148-ESD-C	100	M16	181	184	148	33	24	16	14	18000	330
329487-ESD	LV.A-100-14-AS-SST-M16x168-ESD-C	100	M16	201	204	168	33	24	16	14	18000	356
329521-ESD	LV.A-100-24-AS-SST-M16x58-ESD-C	100	M16	101	104	58	43	24	24	24	25000	308
329525-ESD	LV.A-100-24-AS-SST-M16x98-ESD-C	100	M16	141	144	98	43	24	24	24	25000	411
329541-ESD	LV.A-100-24-AS-SST-M16x138-ESD-C	100	M16	181	184	138	43	24	24	24	25000	411
329561-ESD	LV.A-100-24-AS-SST-M16x158-ESD-C	100	M16	201	204	158	43	24	24	24	25000	439
329625-ESD	LV.A-100-24-AS-SST-M20x98-ESD-C	100	M20	141	144	98	43	24	24	24	25000	432
329641-ESD	LV.A-100-24-AS-SST-M20x138-ESD-C	100	M20	181	184	138	43	24	24	24	25000	512
329661-ESD	LV.A-100-24-AS-SST-M20x158-ESD-C	100	M20	201	204	158	43	24	24	24	25000	552
329681-ESD	LV.A-100-24-AS-SST-M20x198-ESD-C	100	M20	241	244	198	43	24	24	24	25000	637
329725-ESD	LV.A-100-24-AS-SST-M24x98-ESD-C	100	M24	141	144	98	43	24	24	24	25000	532
329761-ESD	LV.A-100-24-AS-SST-M24x158-ESD-C	100	M24	201	204	158	43	24	24	24	25000	707
329781-ESD	LV.A-100-24-AS-SST-M24x198-ESD-C	100	M24	241	244	198	43	24	24	24	25000	828
330221-ESD	LV.A-125-24-AS-SST-M16x58-ESD-C	125	M16	125	128	58	67	46	24	24	28000	515
330225-ESD	LV.A-125-24-AS-SST-M16x98-ESD-C	125	M16	165	168	98	67	46	24	24	28000	567
330241-ESD	LV.A-125-24-AS-SST-M16x138-ESD-C	125	M16	205	208	138	67	46	24	24	28000	618
330261-ESD	LV.A-125-24-AS-SST-M16x158-ESD-C	125	M16	225	228	158	67	46	24	24	28000	646
330325-ESD	LV.A-125-24-AS-SST-M20x98-ESD-C	125	M20	165	168	98	67	46	24	24	28000	639
330341-ESD	LV.A-125-24-AS-SST-M20x138-ESD-C	125	M20	205	208	138	67	46	24	24	28000	759
330361-ESD	LV.A-125-24-AS-SST-M20x158-ESD-C	125	M20	225	228	158	67	46	24	24	28000	759
330381-ESD	LV.A-125-24-AS-SST-M20x198-ESD-C	125	M20	265	268	198	67	46	24	24	28000	844
330425-ESD	LV.A-125-24-AS-SST-M24x98-ESD-C	125	M24	165	168	98	67	46	24	24	28000	739
330461-ESD	LV.A-125-24-AS-SST-M24x158-ESD-C	125	M24	225	228	158	67	46	24	24	28000	914
330481-ESD	LV.A-125-24-AS-SST-M24x198-ESD-C	125	M24	265	268	198	67	46	24	24	28000	1035

* The max static load is the value above which the load applied to the element may cause some plastic material breakage, in particular conditions of use. Obviously, a factor that takes into consideration the importance and the safety level of the specific application must be applied to this value.