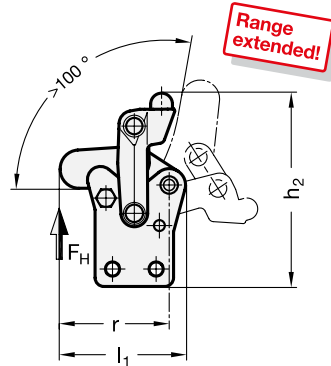
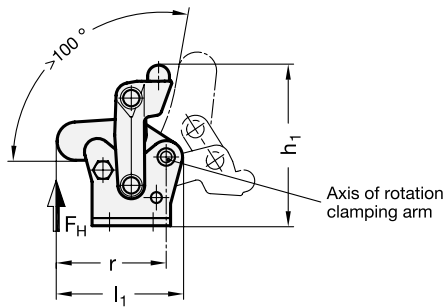


# GN 910.2 Knee lever modules

to screw-on



## 2 Type

- C with horizontal base
- G with vertical base



| Size | F <sub>H</sub> in N<br>Holding force | b <sub>1</sub> | b <sub>2</sub> | b <sub>3</sub> | b <sub>4</sub> | d    | h <sub>1</sub> | h <sub>2</sub> | h <sub>3</sub> | h <sub>4</sub> | h <sub>5</sub> |
|------|--------------------------------------|----------------|----------------|----------------|----------------|------|----------------|----------------|----------------|----------------|----------------|
| 220  | 2200                                 | 36             | 48             | 13             | 6              | 6,5  | 74             | 89             | 30             | 45,5           | 17,5           |
| 440  | 4400                                 | 54             | 65             | 20             | 10             | 8,5  | 121            | 140,5          | 50             | 69,5           | 28             |
| 850  | 8500                                 | 75             | 75             | 24             | 12             | 10,5 | 158            | 180            | 67             | 88             | 35             |
| 1540 | 15400                                | 90             | 100            | 34             | 16             | 12,5 | 193            | 222            | 76,5           | 106            | 40             |

| Size | l <sub>1</sub> | l <sub>2</sub> | l <sub>3</sub> | m <sub>1</sub> | m <sub>2</sub> | m <sub>3</sub> | m <sub>4</sub> | r     | s <sub>1</sub> | s <sub>2</sub> |
|------|----------------|----------------|----------------|----------------|----------------|----------------|----------------|-------|----------------|----------------|
| 220  | 57,5           | 24             | 29             | 20             | 32             | 8              | 8              | 50    | 3,5            | 6              |
| 440  | 85,5           | 32             | 42,5           | 30             | 45             | 12             | 10             | 73    | 5              | 10             |
| 850  | 115            | 38             | 52             | 55             | 55             | 10             | 10             | 99    | 6              | 12             |
| 1540 | 147,5          | 53             | 68             | 65             | 75             | 12,5           | 17,5           | 127,5 | 8              | 16             |

## Specification

- Lever arm Steel
  - forged
  - blackened
- Parts in sheet metal
  - Case hardening steel C10
  - blackened
- Bearing pins and rivets, Steel
  - hardened and ground
- all moving parts
  - lubricated with special grease
- RoHS compliant

## Accessory

- Handles, lever arms, clamping arm elongations, bushings, base plates

## Information

The GN 910.2 knee lever modules have the same properties and attributes as the „Longlife“ GN 910 / GN 910.1 vertical clamps. The clamping arms are die-forged, the remaining steel sheet components are highly robust in design. Bearing bolts and bushings are toughened and ground.

These vertical clamps are therefore suitable for applications in which substantial forces occur and in which a long service life is required.

Extensive tests have shown that trouble-free function (under load) is ensured also after one million clamping cycles.

These knee lever modules allow the size and position of the lever and clamping arms to be adjusted to match the specific application in hand.

see also...

- *General information to toggle clamps* → Main Catalogue Page 676
- *Vertical clamps GN 910* → Page 192
- *Vertical clamps GN 910.1* → Page 194
- *Knee lever modules GN 910.3 (for welding)* → Page 198

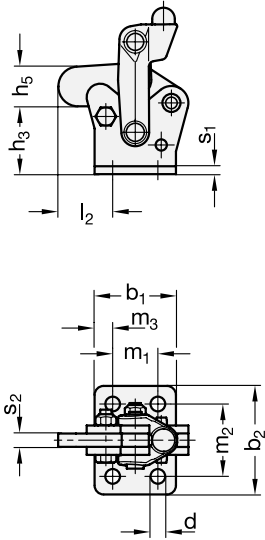
### How to order

GN910.2-440-G

1 Size

2 Type

Type C



Type G

