

- 2 Type**
- ASD** Clamping by turning handle to the left
 - ASS** Clamping by turning handle to the right

1

| Size | F _H in N Holding force | a | b | d ₁ | d ₂ | d ₃ | h ₁ ≈ | h ₂ | l ₁ ≈ |
|------|--------------------------------------|----|------|----------------|----------------|----------------|------------------|----------------|------------------|
| 70 | 900 | 12 | 19,5 | 8,5 | M 6 | 4,3 | 49 | 36 | 86 |
| 160 | 1300 | 15 | 25 | 11 | M 6 | 5,5 | 79 | 46 | 117 |
| 550 | 4500 | 20 | 32 | 14 | M 8 | 7 | 113 | 55 | 165 |

| Size | l ₂ ≈ | l ₃ ≈ | m ₁ | m ₂ | m ₃ | m ₄ | s | t | w Stroke |
|------|------------------|------------------|----------------|----------------|----------------|----------------|---|----|-------------|
| 70 | 77 | 22 | 26 | 26 | 13 | - | 6 | 12 | 20 |
| 160 | 107 | 32 | 36,5 | 33,5 | 11,5 | - | 7 | 12 | 30 |
| 550 | 153 | 42 | 35 | 41 | 15 | 41 | 7 | 16 | 42 |

Specification

- Body
Brass: Size 70
Steel: from Size 160
- forged
- black lacquered
- Parts in sheet metal
Case hardening steel C10
zinc plated, blue passivated
- Plunger Steel St 37
zinc plated, blue passivated
- all moving parts
lubricated with special grease
- solid moulded plastic handle sleeve
red, oil resistant
- **RoHS compliant**

Accessory

- Clamping bolts → *Main Catalogue Page 765*

Information

Plunger operated clamps GN 844 are known for their low height in all clamping positions. They can be used for very high holding forces thanks to their massive and sturdy body.

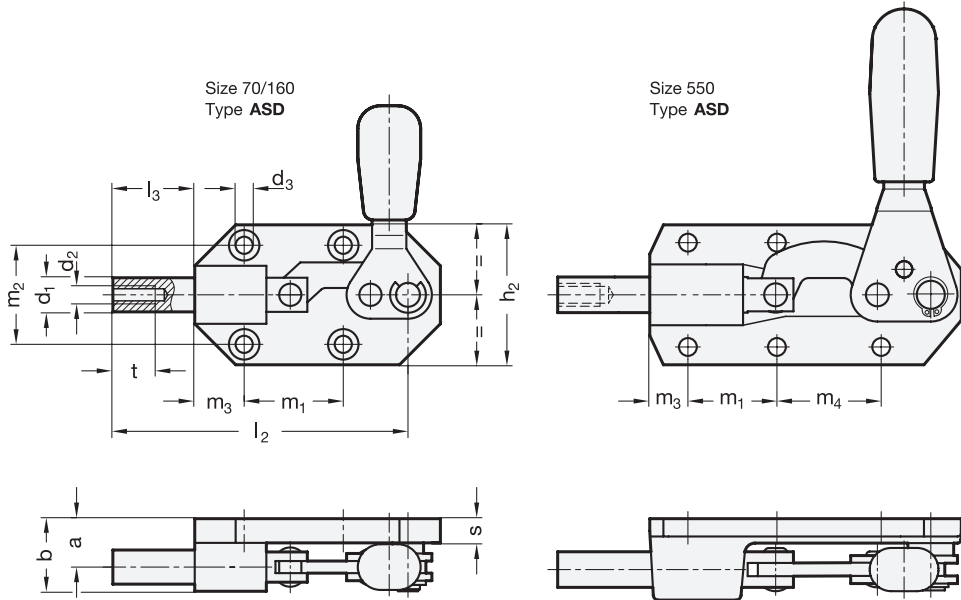
see also...

- *General information to toggle clamps → Main Catalogue Page 676*

How to order

GN844-70-ASS

- 1 Size**
- 2 Type**



Type ASS is mirror image of type ASD

